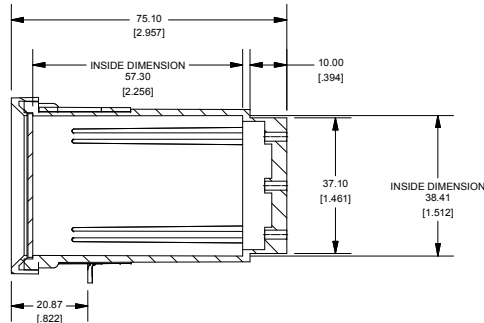
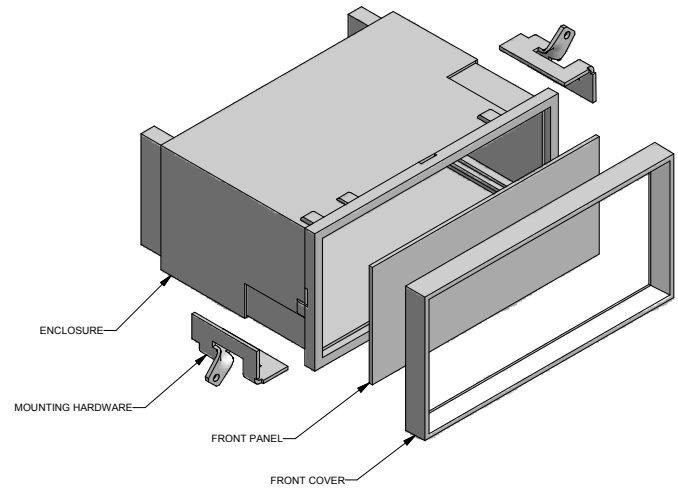


**ASSEMBLED ENCLOSURE**

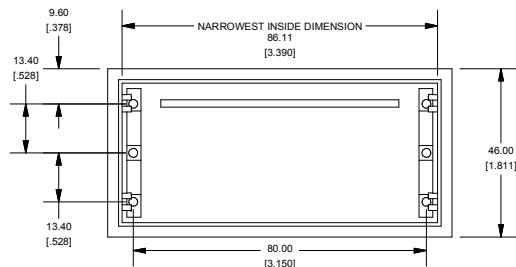


**SECTION A-A  
SCALE 3 / 4**

# 1214 ENCLOSURE

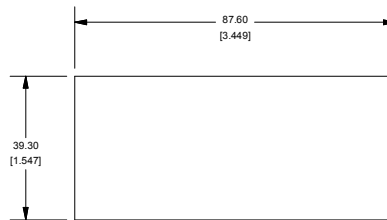


**EXPLODED VIEW OF ENCLOSURE**

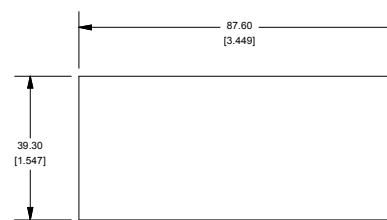


**FRONT VIEW OF BOX**

**NOTES:**  
ENCLOSURE MATERIAL FRABS  
2 ENDPANELS ARE SUPPLIED WITH ENCLOSURE  
- 50-52 H32 ALUMINUM  
- GREY TINTED ACRYLIC



**FACE PLATE (ALUMINUM)**



**FACE PLATE (PLASTIC)**

