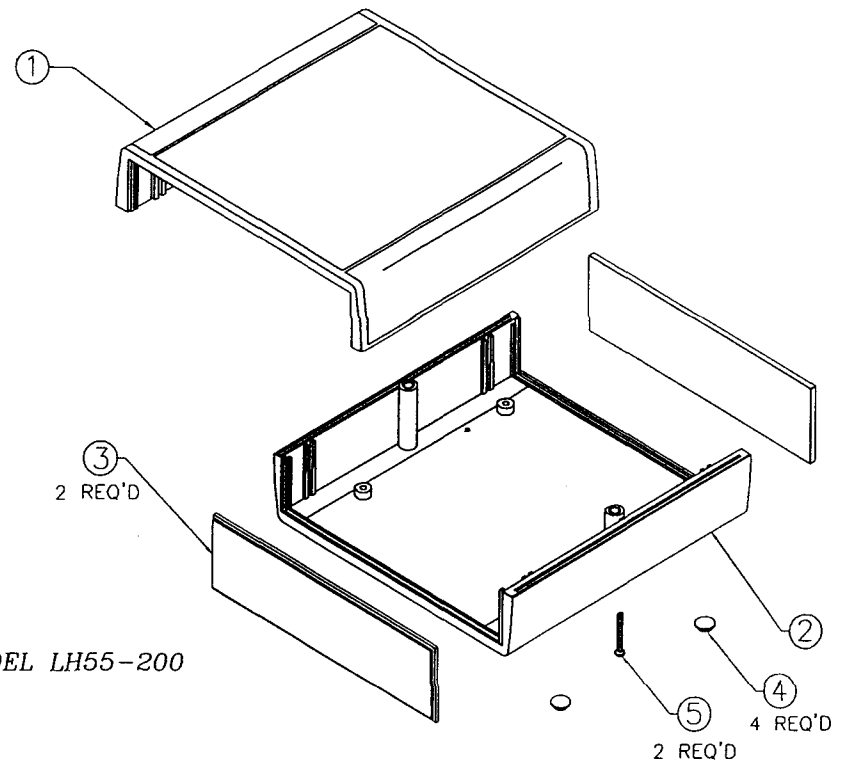


MODEL LH55-130



MODEL LH55-200

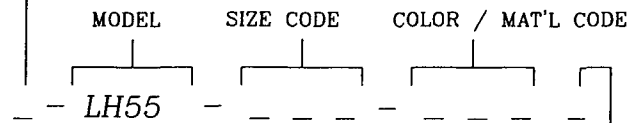
FOR ENGINEERING DRAWING SEE SIDE 2

*SUPPLIED WITH KIT ONLY

MODEL	(1) TOP COVER	(2) BOTTOM COVER	(3) * PANEL BLANK	(4) FEET	(5) SCREW
LH55-130	71570-01	71571-01	71884-01	60221-01	60227-06
LH55-200	71570-01	72282-01	71884-05	60221-01	60227-11

MODEL NUMBER GENERATION

K = KIT
P = PRODUCTION



EXAMPLE: P-LH55-130-000S

EMI-RFI COATING
S = NICKEL
C = COPPER

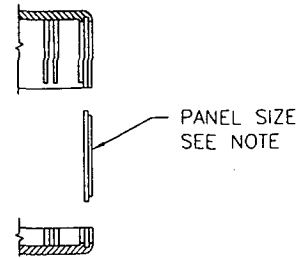
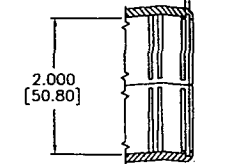
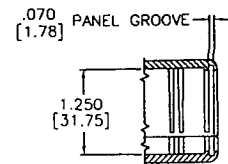
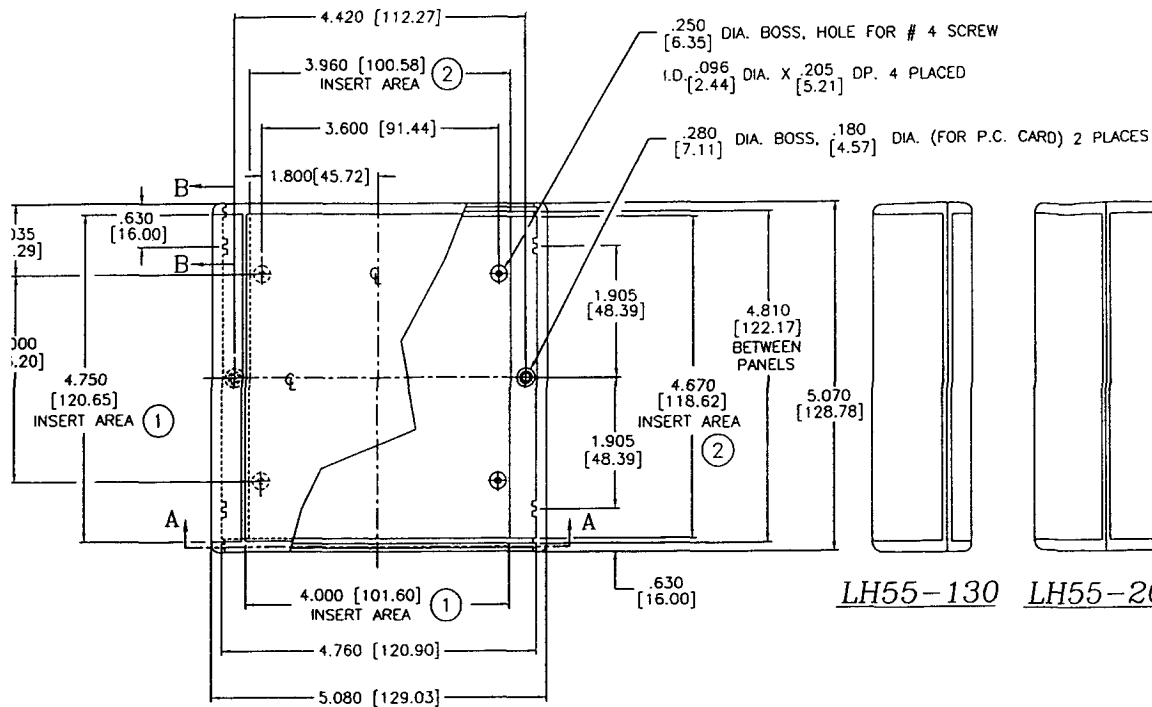
COLOR / MAT'L CODE		
COLOR	94HB	94VO
BLACK	000	028
*GREY	001	024
*TAN	002	025
P.C.BONE	039	060

*SEE FACTORY FOR AVAILABILITY

PACITEC®

LH55-130 & LH55-200

1-800-220-9800



SECTION B-B

SECTION B-B

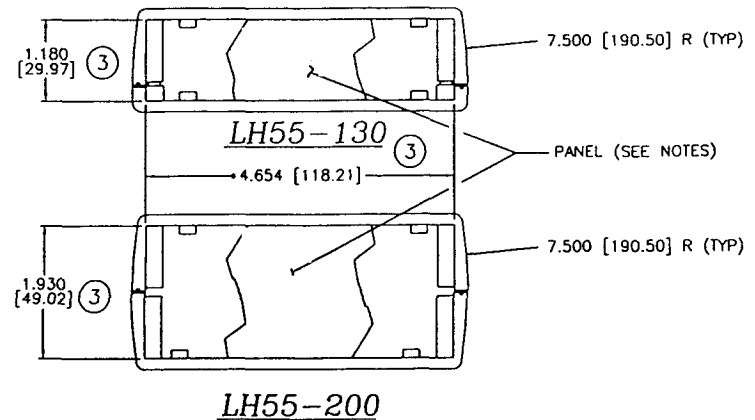
NOTES:

PANEL SIZE: (FRONT AND REAR)
 LH55-130 1.307±.005 [33.20±0.13] H X 4.750±.005 [120.65±0.13] W
 X .062±.005 [1.57±0.13] THK., IN PANEL GROOVE AREA.
 LH55-200 2.057±.005 [53.25±0.13] H X 4.750±.005 [120.65±0.13] W
 X .062±.005 [1.57±0.13] THK., IN PANEL GROOVE AREA.

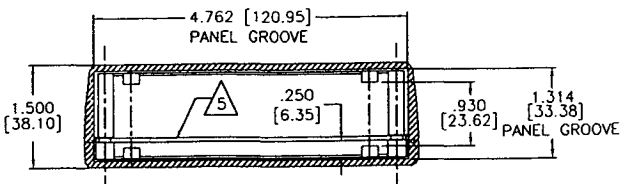
- ① EXTERIOR INSERT AREA, FOR IN MOLD MODIFICATION. TYPICAL ON TOP AND BOTTOM COVERS.
- ② INTERIOR INSERT AREA, FOR IN MOLD MODIFICATION. TYPICAL ON TOP AND BOTTOM COVERS.
- ③ USABLE PANEL AREA.

- △ P.C. CARD 4.750 [120.65] L X 4.000 [101.60] W .062±.005 [1.57±0.13] THK.
- ⊕ P.C. CARD 4.750 [120.65] L X 4.700 [120.65] W .062±.005 [1.57±0.13] THK.

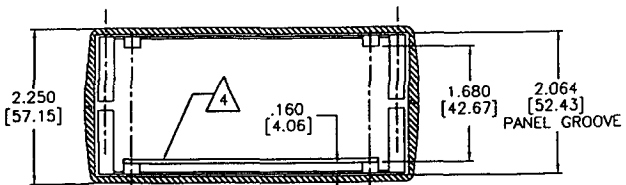
LH55-130 LH55-200



LH55-200



LH55-130 SECTION A-A



LH55-200 SECTION A-A

PACITEC®
 LH55-130 & LH55-200

1-800-220-9800