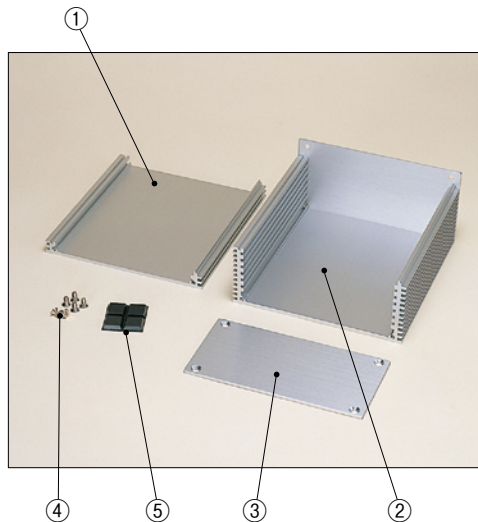


# HEN SERIES

## HEN HEAT-SINK ALUMINIUM CASE



### FEATURE

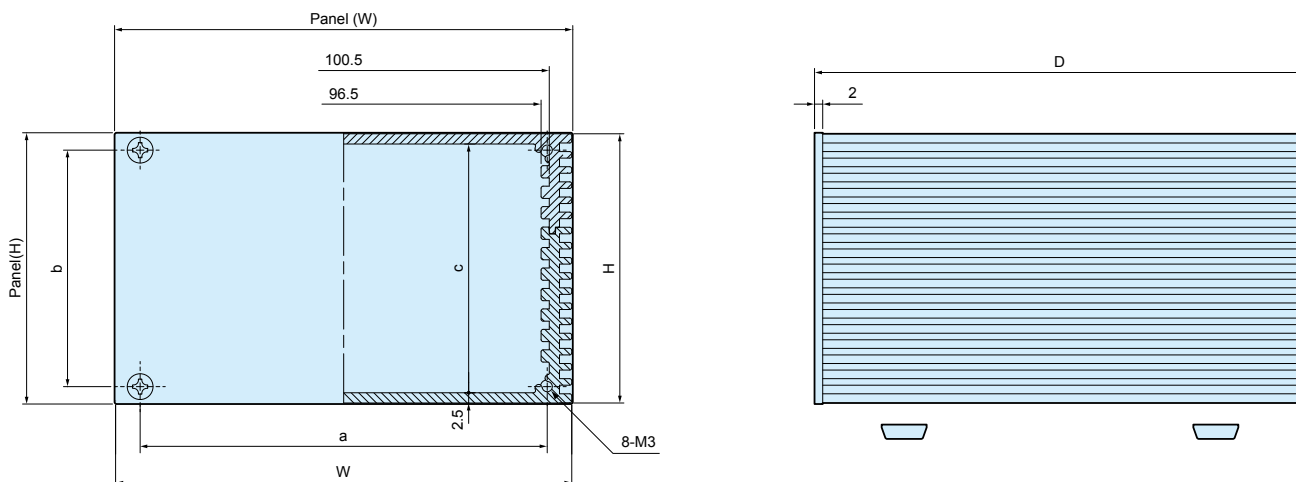
- Heat sink case with small fin.
- Available in 18 sizes.
- Asturdy case by aluminium extrusion.

### Components

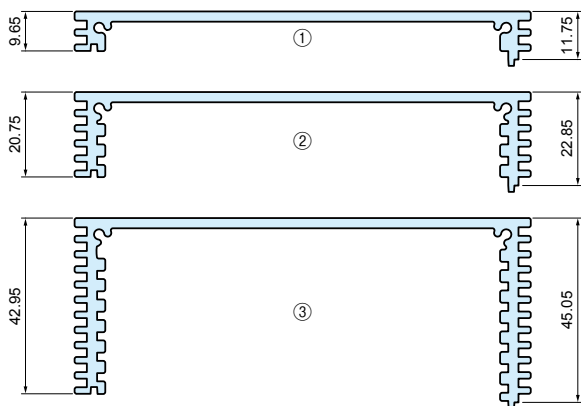
Ref. #	Part name	Pcs	Material	Color / Finish
1	Top cover	1	Aluminium extrusion	Silver · Black anodized / Hair-line finish
2	Bottom cover	1	Aluminium extrusion	Silver · Black anodized / Hair-line finish
3	Panel	2	Aluminium t2.0	Silver · Black anodized / Hair-line finish
4	Screw	8	Steel M3	Nickel plated · Black trivalent chromate
5	Rubber feet	4	Polyurethane	Black

**HEN Dimensions**

• CAD data is downloadable from our web.



**HEN Cover**



**Color Type**

Color code	Top · Bottom cover	Panel
S	Silver	Silver
B	Black	Black

**Part no. / Dimensions**

• Please suffix color code at the end of part number □ when ordering HEN series.

Part no.	W	H	D	Panel □ W □	Panel □ H □	a	b	c	Cover	Weight (g)
HEN110206□	111.2	21.4	60	112	21.9	99.2	13.4	16.4	①×2	143
HEN110212□	111.2	21.4	120	112	21.9	99.2	13.4	16.4		258
HEN110220□	111.2	21.4	200	112	21.9	99.2	13.4	16.4		411
HEN110306□	111.2	32.5	60	112	33.0	99.2	24.5	27.5	①×1 ②×1	179
HEN110312□	111.2	32.5	120	112	33.0	99.2	24.5	27.5		311
HEN110320□	111.2	32.5	200	112	33.0	99.2	24.5	27.5		488
HEN110406□	111.2	43.6	60	112	44.1	99.2	35.6	38.6	②×2	215
HEN110412□	111.2	43.6	120	112	44.1	99.2	35.6	38.6		365
HEN110420□	111.2	43.6	200	112	44.1	99.2	35.6	38.6		565
HEN110506□	111.2	54.7	60	112	55.2	99.2	46.7	49.7	①×1 ③×1	250
HEN110512□	111.2	54.7	120	112	55.2	99.2	46.7	49.7		417
HEN110520□	111.2	54.7	200	112	55.2	99.2	46.7	49.7		640
HEN110606□	111.2	65.8	60	112	66.3	99.2	57.8	60.8	②×1 ③×1	286
HEN110612□	111.2	65.8	120	112	66.3	99.2	57.8	60.8		471
HEN110620□	111.2	65.8	200	112	66.3	99.2	57.8	60.8		717
HEN110806□	111.2	88.0	60	112	88.5	99.2	80.8	83.0	③×2	358
HEN110812□	111.2	88.0	120	112	88.5	99.2	80.8	83.0		577
HEN110820□	111.2	88.0	200	112	88.5	99.2	80.8	83.0		869