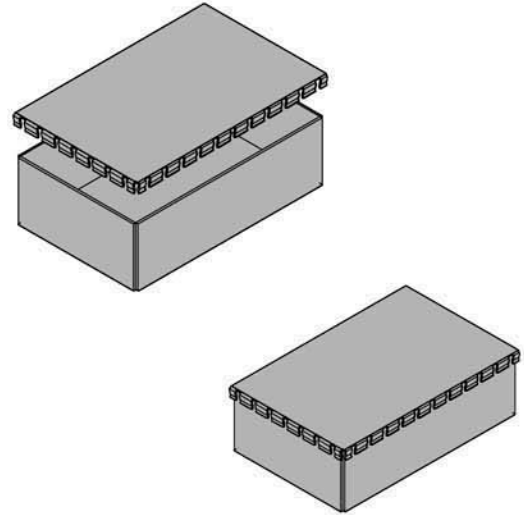


# CFL Series: Can & Fingered Lid

A range of standard and custom RFI/EMI cans that offer good attenuation and accessibility where screening of complete boards or circuits is required.

- ◆ **Removable Fingered Lid**  
giving easy access and excellent attenuation
- ◆ **Lid Fingering Clearance**  
selective fingers can be omitted for clearance around components mounted through the frame wall
- ◆ **Component/PCB Locations (optional)**  
lancings or brackets can be specified to act as guides or supports (see back page)
- ◆ **Butt Jointed Corners**  
bright acid tin finish allows corners to be easily soldered for increased screening
- ◆ **Internal Dividers (optional)**  
for discrete screening within the can (see page 7)
- ◆ **Custom Sizes**  
can be manufactured without tooling charges making prototypes and low volumes viable
- ◆ **Additional Features**  
holes, brackets, cut outs, lid captivation, etc., can be incorporated during manufacture (see back page)
- ◆ **Alternative Materials/Finishes**  
copper, brass, tinplate, nickel, nickel plate



## Specification

<b>Material:</b>	Bright Mild Steel BS EN 10130 DC01
<b>Frames:</b>	20swg (0.914mm)
<b>Lids:</b>	24swg (0.559mm)
<b>Finish:</b>	Bright Acid Tin: Good Commercial Grade
<b>Surface resistivity:</b>	$20 \times 10^{-6} \Omega$ per square
<b>Conductivity:</b>	$5 \times 10^4 S$ (mho)
<b>Tolerance:</b>	$\pm / - 0.25mm$ (general)

## STOCK SIZES - Internal & overall dimensions (mm)

Part No.	Dimension A	Dimension B	Dimension C	Nominal overall size including lid
CFL5T	20	20	10	25 x 25 x 12
CFL6T	30	30	15	35 x 35 x 17
CFL7T	50	25	15	55 x 30 x 17
CFL1T	50	50	15	55 x 55 x 17
CFL2T	75	50	25	80 x 55 x 27
CFL8T	75	75	25	80 x 80 x 27
CFL3T	100	50	35	105 x 55 x 37
CFL4T	160	100	50	165 x 105 x 52

**NOTE:** A4 dimensioned drawings for each part are available on request.

