



METTEC DESK CASES offer you a high degree of stability. Aluminium-diecastings are used for the bezel. An additional asset of the design is the increased attenuation against electro-magnetic disturbances.



NEW FEATURE!

All side extrusions now include multiple guide grooves for PCBs, chassis etc. See dimensional details of each model. (Some photographs in this catalogue do not show this feature yet.)

STANDARD COLOURS

Off-white, RAL 9002.
Anthracite, RAL 7016.

MATERIAL

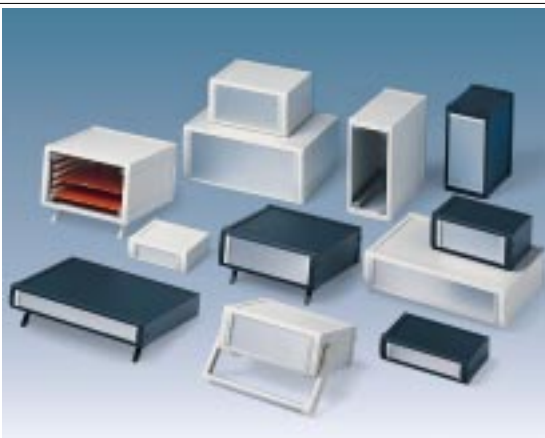
Bezel die-castings, aluminium.
Extrusions, base and top panel, and the side panels (on METTEC cases 150 mm high), in aluminium.

STANDARD FINISH

All parts – except accessories – painted with fine texture powder polyester paint 75-105 µm.

CUSTOMISING

See page 40.



HIGH STRENGTH, VARIABILITY; GOOD DESIGN

The METTEC CASE system is a new concept in metal enclosures for small desktop and portable electronics equipment.

You can choose from two different versions to find the case which meets your requirements and applications perfectly:

- Version A with simple extruded rear panel.
- Version B with rear bezel and rear panel. The raised edge shields the electronic parts and interfaces.

Optionally with handle bar for carrying and ergonomic sloping positions of the unit. With strong push button mechanism, giving 30 degrees indexing.

This robust case series is available in 4 different plan sizes and heights of 50, 85, 120 and 150 mm. You can choose from 46 individual types.

Masked internal faces as well as additional contact points guarantee a high degree of shielding. For more information see page 39.

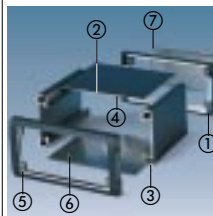
Guide ridges in the side extrusions allow mounting of PCBs in several positions.

APPLICATIONS

The different sizes allow a wide range of applications. As a desktop or portable unit for interior applications, e.g. measuring and control technology, medical field and laboratory technology, peripheral equipment for computers and networking, industrial control etc.

ACCESSORIES

The large range of accessories is available to increase the versatility of the case programme. See pages 16-17.



This illustration shows the masked contact surfaces of each component:

- ① Rear bezel
- ② Top panel (the same on base panel)
- ③ Side extrusion
- ④ Contact points in the base and top panel
- ⑤ Front bezel, masked area for contact with the front panel (the same contact area is also on ①)
- ⑥ Earth stud
- ⑦ Rear panel

METTEC DESK CASES

Overall view



DESK CASES

VERSION A – with extruded rear panel		VERSION B – with rear bezel and rear panel																			
<p>50 MM HIGH</p> <table border="1"> <thead> <tr> <th>Widths</th> <th>Depths</th> </tr> </thead> <tbody> <tr> <td>160</td> <td>130</td> </tr> <tr> <td>230</td> <td>180</td> </tr> <tr> <td>250</td> <td>250</td> </tr> <tr> <td>350</td> <td>250</td> </tr> </tbody> </table> <p>See pages 8-9.</p>	Widths	Depths	160	130	230	180	250	250	350	250											
Widths	Depths																				
160	130																				
230	180																				
250	250																				
350	250																				
<p>85 MM HIGH</p> <table border="1"> <thead> <tr> <th>Widths</th> <th>Depths</th> </tr> </thead> <tbody> <tr> <td>160</td> <td>130</td> </tr> <tr> <td>230</td> <td>180</td> </tr> <tr> <td>250</td> <td>250</td> </tr> <tr> <td>350</td> <td>250</td> </tr> </tbody> </table> <p>See pages 10-11.</p>	Widths	Depths	160	130	230	180	250	250	350	250			<p>85 MM HIGH</p> <table border="1"> <thead> <tr> <th>Widths</th> <th>Depths</th> </tr> </thead> <tbody> <tr> <td>230</td> <td>193</td> </tr> <tr> <td>250</td> <td>263</td> </tr> <tr> <td>350</td> <td>263</td> </tr> </tbody> </table> <p>See pages 10-11.</p>	Widths	Depths	230	193	250	263	350	263
Widths	Depths																				
160	130																				
230	180																				
250	250																				
350	250																				
Widths	Depths																				
230	193																				
250	263																				
350	263																				
<p>120 MM HIGH</p> <table border="1"> <thead> <tr> <th>Widths</th> <th>Depths</th> </tr> </thead> <tbody> <tr> <td>230</td> <td>180</td> </tr> <tr> <td>250</td> <td>250</td> </tr> <tr> <td>350</td> <td>250</td> </tr> </tbody> </table> <p>See pages 12-13.</p>	Widths	Depths	230	180	250	250	350	250			<p>120 MM HIGH</p> <table border="1"> <thead> <tr> <th>Widths</th> <th>Depths</th> </tr> </thead> <tbody> <tr> <td>230</td> <td>193</td> </tr> <tr> <td>250</td> <td>263</td> </tr> <tr> <td>350</td> <td>263</td> </tr> </tbody> </table> <p>See pages 12-13.</p>	Widths	Depths	230	193	250	263	350	263		
Widths	Depths																				
230	180																				
250	250																				
350	250																				
Widths	Depths																				
230	193																				
250	263																				
350	263																				
			<p>150 MM HIGH</p> <table border="1"> <thead> <tr> <th>Widths</th> <th>Depths</th> </tr> </thead> <tbody> <tr> <td>250</td> <td>263</td> </tr> <tr> <td>350</td> <td>263</td> </tr> </tbody> </table> <p>See pages 14-15.</p>	Widths	Depths	250	263	350	263												
Widths	Depths																				
250	263																				
350	263																				
VERSION AH – with extruded rear panel and handle bar		VERSION BH – with rear bezel, rear panel and handle bar																			
<p>85 MM HIGH</p> <table border="1"> <thead> <tr> <th>Widths</th> <th>Depths</th> </tr> </thead> <tbody> <tr> <td>230</td> <td>180</td> </tr> </tbody> </table> <p>See pages 10-11.</p>	Widths	Depths	230	180			<p>85 MM HIGH</p> <table border="1"> <thead> <tr> <th>Widths</th> <th>Depths</th> </tr> </thead> <tbody> <tr> <td>230</td> <td>193</td> </tr> </tbody> </table> <p>See pages 10-11.</p>	Widths	Depths	230	193										
Widths	Depths																				
230	180																				
Widths	Depths																				
230	193																				
<p>120 MM HIGH</p> <table border="1"> <thead> <tr> <th>Widths</th> <th>Depths</th> </tr> </thead> <tbody> <tr> <td>250</td> <td>250</td> </tr> </tbody> </table> <p>See pages 12-13.</p>	Widths	Depths	250	250			<p>120 MM HIGH</p> <table border="1"> <thead> <tr> <th>Widths</th> <th>Depths</th> </tr> </thead> <tbody> <tr> <td>250</td> <td>263</td> </tr> </tbody> </table> <p>See pages 12-13.</p>	Widths	Depths	250	263										
Widths	Depths																				
250	250																				
Widths	Depths																				
250	263																				

METTEC DESK CASES 50 MM HIGH

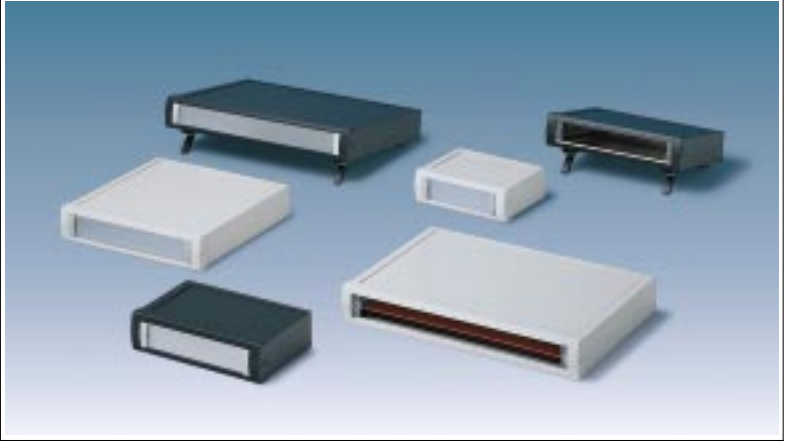
DESK CASES

The 50 mm height is the lowest size METTEC desk case. Ideal for electronics equipment with small front panel components i.e. LED's, push buttons, membrane keyboards etc.

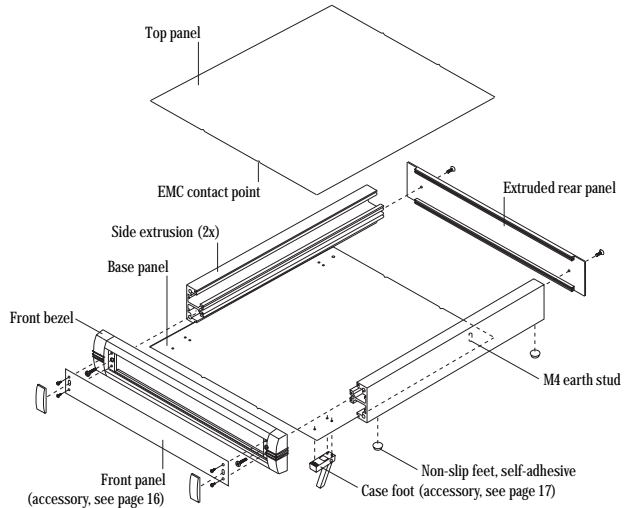
ASSEMBLY

Case design assembled by four M4 screws. The side extrusions are located by a recess in the rear of the bezel and fixed with two screws. At the rear is an extruded rear panel mounted with two screws. The base and top panels are captured by horizontal slots.

All cases are supplied assembled and include four non-slip self-adhesive feet. Base panels are pre-punched for the case feet (separate article, see accessory page 17). An M4 earth stud is fitted to the base panels.



SUPPLY



VERSION A

With extruded rear panel.

Part No.		METTEC 50 MM HIGH																			
anthracite	off-white	Version	Outside dimensions in mm			Inside dimensions in mm															
			Height	Width	Depth	a	b	c	d	e	f	g	h	j	k	l	r	s	t	u	v
M 57 16 004	M 57 16 007	A	50	160	130	130	108	118	104	158	-	111	116	130	158	118	110	113	122	84	102
M 57 23 004	M 57 23 007	A	50	230	180	200	178	188	174	228	-	181	186	200	228	188	160	163	172	134	152
M 57 25 004	M 57 25 007	A	50	250	250	220	198	208	194	248	-	201	206	220	248	208	230	233	242	204	222
M 57 35 004	M 57 35 007	A	50	350	250	320	298	308	294	348	-	301	306	320	348	308	230	233	242	204	222

METTEC DESK CASES 85 MM HIGH

DESK CASES

Ideal size for electronics equipment with front panel LCD modules, LED's, push buttons, membrane key-boards etc.

ASSEMBLY

Case design assembled by eight M4 screws. The side extrusions are located by a recess in the rear of the bezel and fixed with screws. At the rear of version A/AH is an extruded rear panel. The rear panel (Version B/BH) is assembled with four additional screws. The base and top panels are captured by horizontal slots in the case. All cases are supplied assembled and include four non-slip self-adhesive feet. Base panels are pre-punched for the case feet (accessory, see page 17). An M4 earth stud is fitted to the base panels.

VERSION A

With extruded rear panel.

VERSION AH

Version A with handle bar.

VERSION B

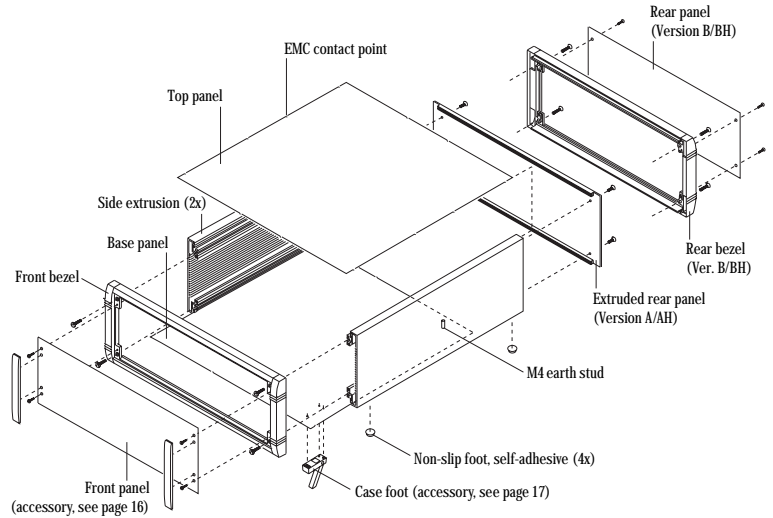
With rear bezel and rear panel.

VERSION BH

Version B with handle bar.



SUPPLY

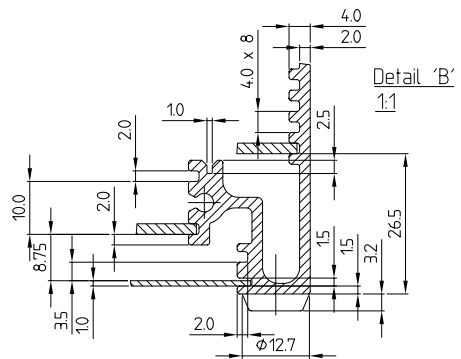
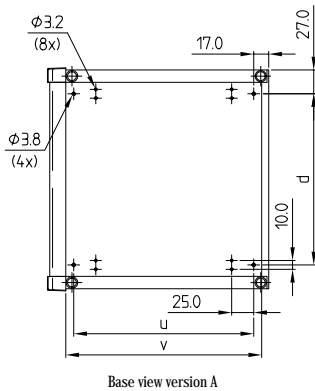
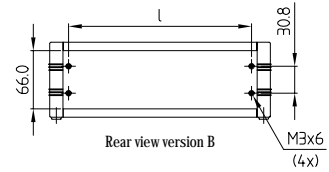
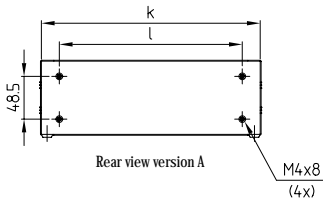
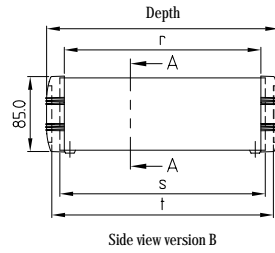
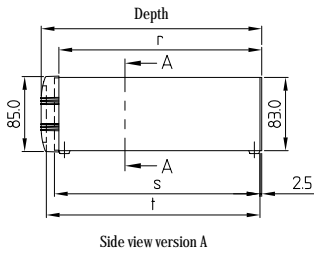
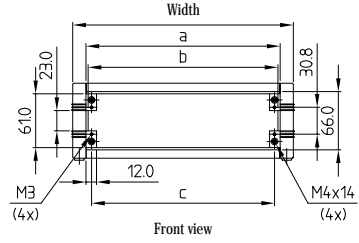
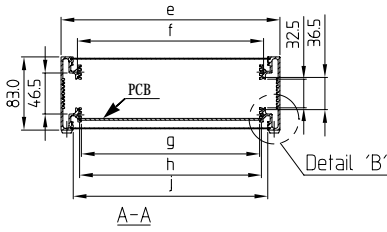


Part No.		METTEC 85 MM HIGH																			
anthracite	off-white	Version	Outside dimensions in mm			Inside dimensions in mm															
		Height	Width	Depth	a	b	c	d	e	f	g	h	j	k	l	r	s	t	u	v	
M 57 16 104	M 57 16 107	A	85	160	130	130	125	118	104	158	121	111	116	130	158	118	110	113	122	84	102
M 57 23 104	M 57 23 107	A	85	230	180	200	195	188	174	228	191	181	186	200	228	188	160	163	172	134	152
M 57 23 124	M 57 23 127	AH	85	230	180	200	195	188	174	228	191	181	186	200	228	188	160	163	172	134	152
M 57 23 114	M 57 23 117	B	85	230	193	200	195	188	174	228	191	181	186	200	-	188	153	163	181	134	-
M 57 23 134	M 57 23 137	BH	85	230	193	200	195	188	174	228	191	181	186	200	-	188	153	163	181	134	-
M 57 25 104	M 57 25 107	A	85	250	250	220	215	208	194	248	211	201	206	220	248	208	230	233	242	204	222
M 57 25 114	M 57 25 117	B	85	250	263	220	215	208	194	248	211	201	206	220	-	208	223	233	251	204	-
M 57 35 104	M 57 35 107	A	85	350	250	320	315	308	294	348	311	301	306	320	348	308	230	233	242	204	222
M 57 35 114	M 57 35 117	B	85	350	263	320	315	308	294	348	311	301	306	320	-	308	223	233	251	204	-

METTEC DESK CASES 85 MM HIGH



DESK CASES



Comfortable case size for electronics equipment with large front panel LCD modules, LED's, push buttons, membrane keyboards etc.

ASSEMBLY

Case design assembled by eight M4 screws. The side extrusions are located by a recess in the rear of the bezel and fixed with screws. At the rear of version A/AH is an extruded rear panel. The rear panel (Version B/BH) is assembled with four additional screws. The base and top panels are captured by horizontal slots in the case.

All cases are supplied assembled and include four non-slip self-adhesive feet. Base panels are pre-punched for the case feet (separate article, accessory see page 17). An M4 earth stud is fitted to the base panels.

VERSION A

With extruded rear panel.

VERSION AH

Version A with handle bar.

VERSION B

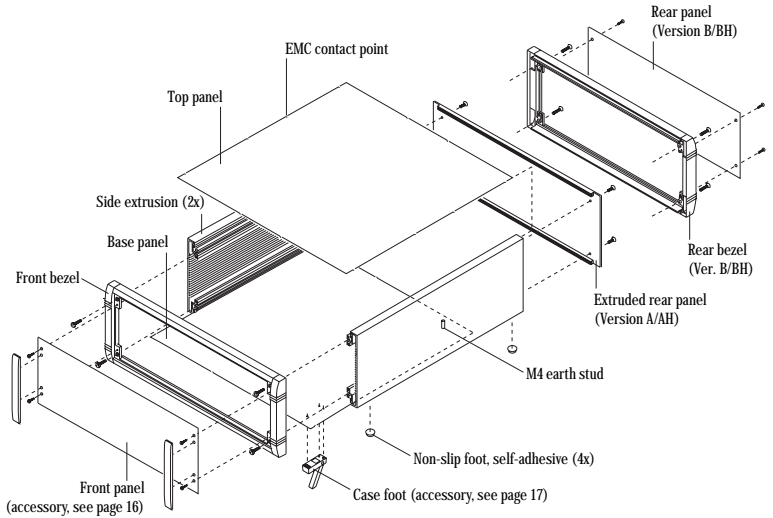
With rear bezel and rear panel.

VERSION BH

Version B with handle bar.



SUPPLY

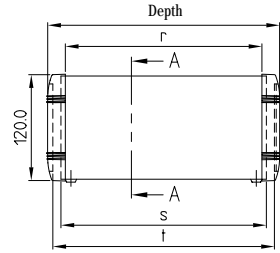
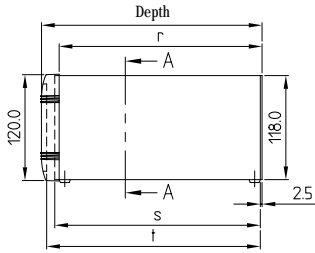
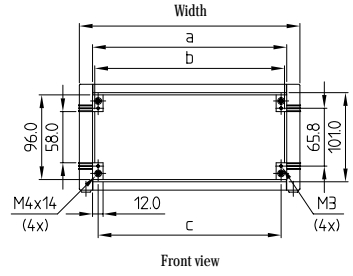
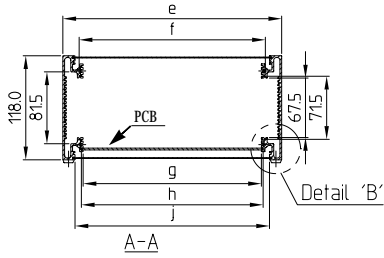


Part No.		METTEC 120 MM HIGH																			
anthracite	off-white	Version	Outside dimensions in mm			Inside dimensions in mm															
		Height	Width	Depth	a	b	c	d	e	f	g	h	j	k	l	r	s	t	u	v	
M 57 23 204	M 57 23 207	A	120	230	180	200	195	188	174	228	191	181	186	200	228	188	160	163	172	134	152
M 57 23 214	M 57 23 217	B	120	230	193	200	195	188	174	228	191	181	186	200	-	188	153	163	181	134	-
M 57 25 204	M 57 25 207	A	120	250	250	220	215	208	194	248	211	201	206	220	248	208	230	233	242	204	222
M 57 25 224	M 57 25 227	AH	120	250	250	220	215	208	194	248	211	201	206	220	248	208	230	233	242	204	222
M 57 25 214	M 57 25 217	B	120	250	263	220	215	208	194	248	211	201	206	220	-	208	223	233	251	204	-
M 57 25 234	M 57 25 237	BH	120	250	263	220	215	208	194	248	211	201	206	220	-	208	223	233	251	204	-
M 57 35 204	M 57 35 207	A	120	350	250	320	315	308	294	348	311	301	306	320	348	308	230	233	242	204	222
M 57 35 214	M 57 35 217	B	120	350	263	320	315	308	294	348	311	301	306	320	-	308	223	233	251	204	-

METTEC DESK CASES 120 MM HIGH

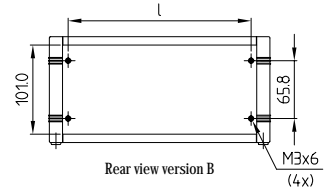
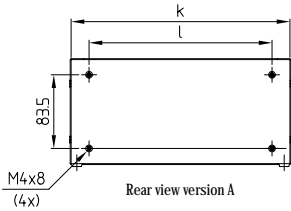


DESK CASES



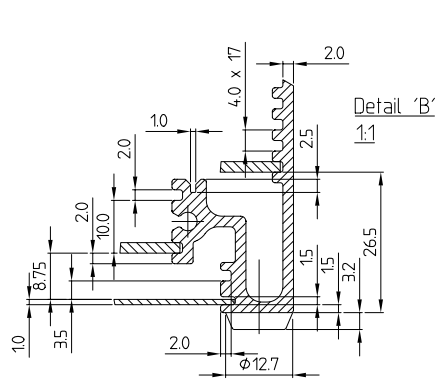
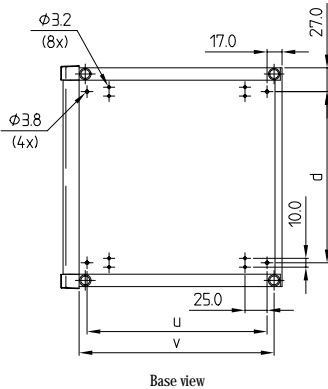
Side view version A

Side view version B



Rear view version A

Rear view version B



Base view

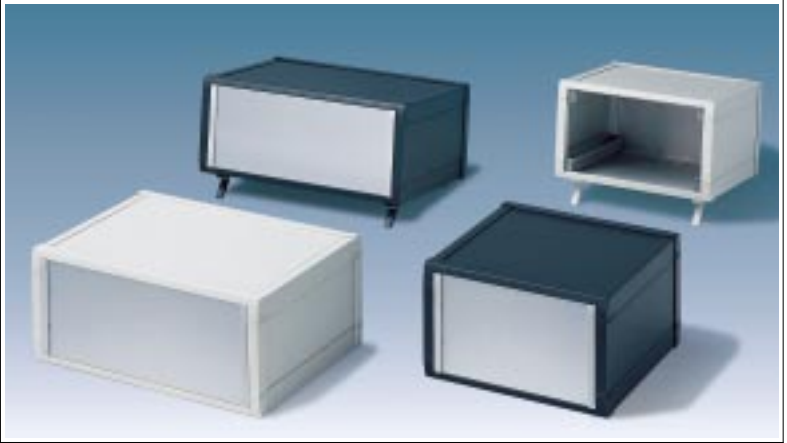
Detail 'B'
1:1

Large size METTEC DESK CASES for electronics equipment with multiple internal components and large front panel LCD modules, LED's, push buttons, membrane keyboards etc.

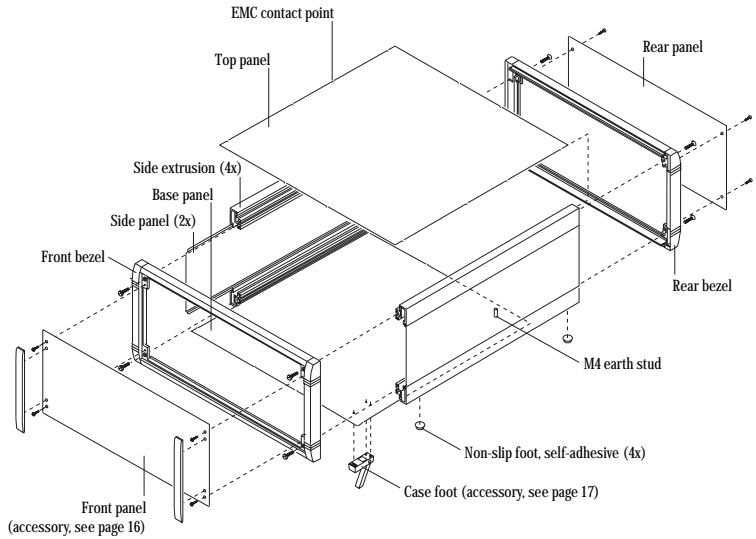
ASSEMBLY

Case design assembled by eight M4 screws. The side extrusions are located by a recess in the rear of the bezel and fixed with screws. The rear panel is assembled with four additional screws. Side panels are fitted to vertical slots in each pair of side extrusions, and the top and base panels are captured by horizontal slots in each of the case components.

All cases are supplied assembled and include four non-slip self-adhesive feet. Base panels are pre-punched for the case feet (separate article, see accessory page 17). An M4 earth stud is fitted to the base panels.



SUPPLY



VERSION B

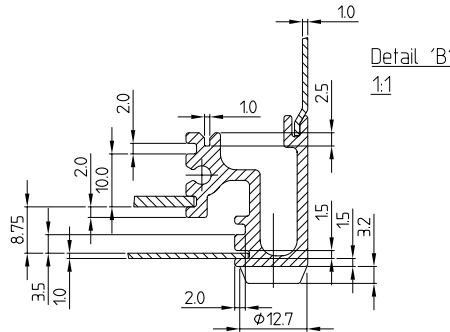
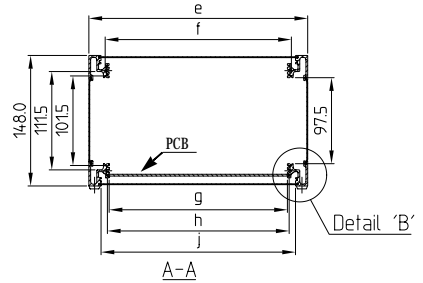
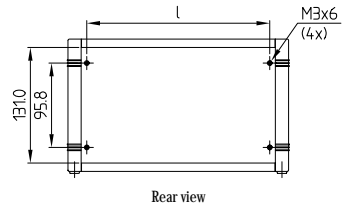
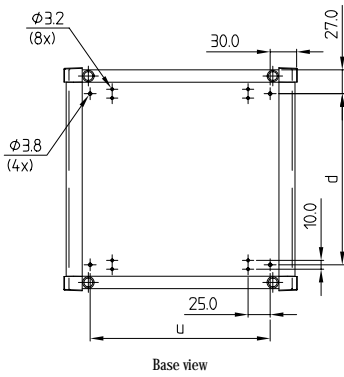
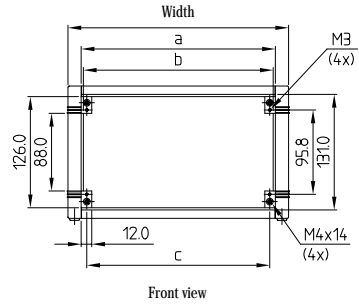
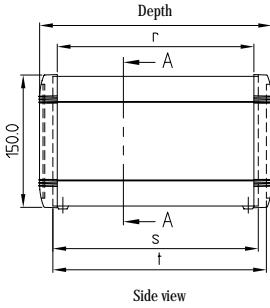
With rear bezel and rear panel.

Part No.		METTEC 150 MM HIGH																			
		Version	Outside dimensions in mm			Inside dimensions in mm															
anthracite	off-white	Height	Width	Depth	a	b	c	d	e	f	g	h	j	k	l	r	s	t	u	v	
M 57 25 314	M 57 25 317	B	150	250	263	220	215	208	194	248	211	201	206	220	-	208	223	233	251	204	-
M 57 35 314	M 57 35 317	B	150	350	263	320	315	308	294	348	311	301	306	320	-	308	223	233	251	204	-

METTEC DESK CASES 150 MM HIGH



DESK CASES



ACCESSORIES FOR METTEC DESK CASES

DESK CASES

FRONT PANEL KIT

These panels fit directly to the front bezels and are recessed for convenient mounting of membrane keyboards, display modules, control switches etc.

Two trims are supplied with each kit. These clip on to the front panels and hide the fixing screws for a clean frontal appearance. They also give a location area for membrane keyboards.

Material:

Front panel anodised aluminium, 2 mm.
Trims in ABS, light grey
RAL 7035.

Supply:

1 front panel
(four M3x6 mm pozi screws supplied with each case for mounting these panels)
2 trims

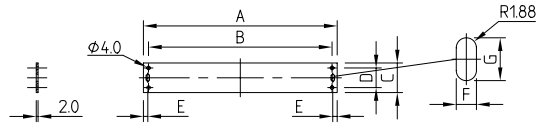


SEPARATE TRIMS

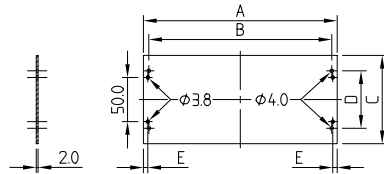
Two plastic trims are supplied with each front panel kit, however, for custom front panels the trims can be ordered as separate items.

Supply:
1 trim

for case height 50 / 85 mm



for case height 120 / 150 mm



FRONT PANEL KIT

For case ... Height	Width	Panel dimensions in mm							
		A	B	C	D	E	F	G	
M 57 00 601	50	160	129.5	118	33.6	22.3	5.75	3.8	8.2
M 57 00 607	50	230	199.5	188	33.6	22.3	5.75	3.8	8.2
M 57 00 612	50	250	219.5	208	33.6	22.3	5.75	3.8	8.2
M 57 00 617	50	350	319.5	308	33.6	22.3	5.75	3.8	8.2
M 57 00 602	85	160	129.5	118	65.1	30.8	5	3.8	15.2
M 57 00 608	85	230	199.5	188	65.1	30.8	5	3.8	15.2
M 57 00 613	85	250	219.5	208	65.1	30.8	5	3.8	15.2
M 57 00 618	85	350	319.5	308	65.1	30.8	5	3.8	15.2
M 57 00 610	120	230	199.5	188	100.1	65.8	5	-	-
M 57 00 615	120	250	219.5	208	100.1	65.8	5	-	-
M 57 00 620	120	350	319.5	308	100.1	65.8	5	-	-
M 57 00 616	150	250	219.5	208	130.1	95.8	5	-	-
M 57 00 621	150	350	319.5	308	130.1	95.8	5	-	-

SEPARATE TRIMS (for customised front panels)

For case height	Supply	
M 57 00 020	50 mm	1 piece (2 pieces required)
M 57 00 021	85 mm	1 piece (2 pieces required)
M 57 00 022	120 mm	1 piece (2 pieces required)
M 57 00 024	150 mm	1 piece (2 pieces required)

ACCESSORIES FOR METTEC DESK CASES

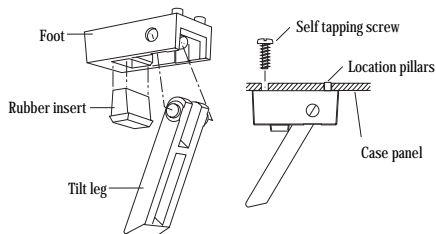
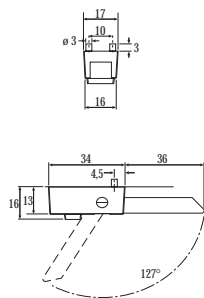
DESK CASES

VERSION I

4 foot mouldings.
4 non-slip rubber inserts.
4 self tapping screws.

VERSION II

As above but also including
2 tilt legs.



CASE FEET

Version	Colour
I	off-white
II	off-white
I	black
II	black

CASE FEET

These optional case feet replace the standard non-slip feet provided with each case. They are mounted to pre-punched holes in the base panels (case version A/AH and B/BH).

Available in two versions:
With or without tilt legs.

Standard colours:
Off-white, RAL 9002.
Black, RAL 9005.
(rubber insert pebble grey)

Material:
Foot mouldings and tilt feet
ABS (UL 94 HB).

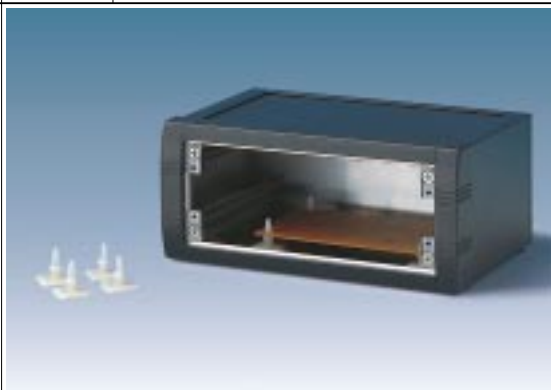
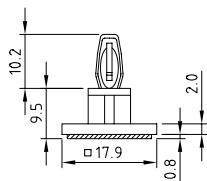
Part No.

A 92 57 107

A 92 57 207

A 92 57 109

A 92 57 209



PCB CLIP

Simple accessory for mounting PCBs and other components at any position in the case. Self adhesive pad for fast installation.

Suitable for PCBs 1.6 mm thick with 4 mm dia. hole.

Material: Polyamide.

Supply: 1 PCB clip.

Part No.

M 57 00 200



METTEC EUROCARD CASES are designed for applications using standard Eurocard size PCBs.

STANDARD COLOURS

Off-white, RAL 9002.
Anthracite, RAL 7016.

MATERIAL

Bezel die-castings, aluminium.
Extrusions, base, top and rear panels, in aluminium.

STANDARD FINISH

All parts – except accessories – painted with fine texture powder polyester paint 75-105 µm.

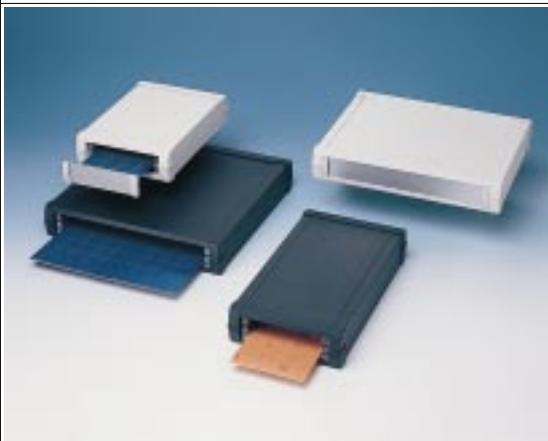
CUSTOMISING

Cases can be easily customised to suit your application i.e. different depths, machining of holes, different colours, silk screen printing etc. For more information see page 40.



VERSION B

All Eurocard cases are version B with rear bezel and flat rear panel.



STYLISH, STRONG, EUROCARD MOUNTING, EMC SHIELDING

METTEC EUROCARD CASES are robust and attractive housings for Eurocard based systems. Up to five Eurocards can be fitted into each case. The attractive front and rear bezel design will enhance the look of today's electronics.

There is a choice of two versions:

- For single Eurocards: 100x 160 mm or 100x 220 mm (see pages 22 to 23)
- For double Eurocards: 233.4x 160 mm or 233.4x 220 mm (see pages 24 to 25)

These cases accept Eurocards which conform to the international standard DIN 41612.

Eight cases in the range all 50 mm high. Removable rear panel included. Supplied ready assembled.

Masked internal connecting faces along with contact points on the top and base panels ensure a high degree of EMC shielding. For more information see page 39.

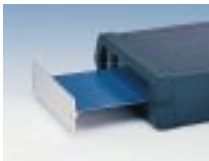
APPLICATIONS

The METTEC EUROCARD CASES are suitable for many different types of electronic systems i.e. test and measurement, computer peripherals, medical instruments, industrial control devices etc.

ACCESSORIES



Front panels: To protect operating elements and membrane keyboards, the front panel is recessed.



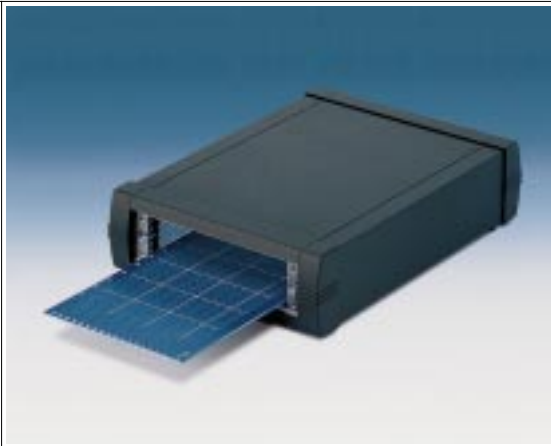
Mounting kit: For fitting a Eurocard to the front panel.

SINGLE EUROCARD CASES

For mounting single
Eurocard size PCBs:

- 100 x 160 mm
- 100 x 220 mm

See pages 22-23.



DOUBLE EUROCARD CASES

For mounting double
Eurocard size PCBs:

- 233.4 x 160 mm
- 233.4 x 220 mm

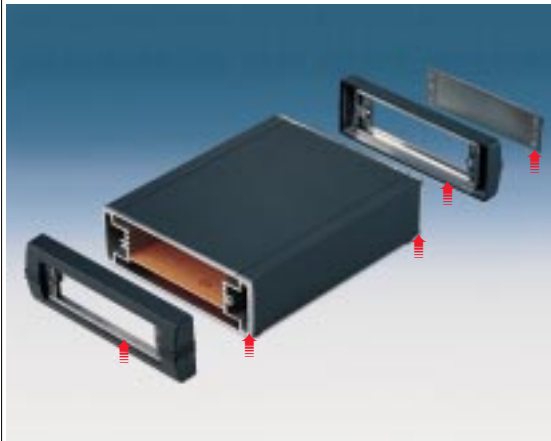
See pages 24-25.



EMC SHIELDING

Internal faces are masked
to be free of paint. This
ensures interconnection
between components for
high EMC performance.

For more information see
page 39.



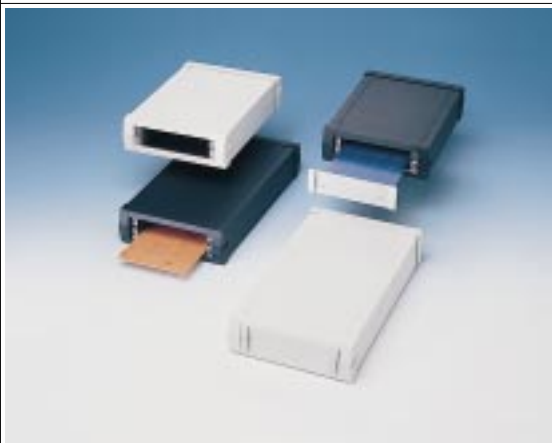
METTEC SINGLE EUROCARD CASES

Designed to accept single DIN 41612 Eurocards
100 x 160 and 100 x 220 mm
in five horizontal positions.

ASSEMBLY

Very robust construction in aluminium assembled by four M4 screws. The case extrusion also incorporates enclosed vertical guide positions for hidden components and devices. For high shielding attenuation all internal parts are masked and interlock with each other. The front panel mounting face on the bezel is also masked for electrical contact.

All cases are supplied assembled and include the fixings for the accessory front panels and four non-slip self-adhesive feet.



ACCESSORIES

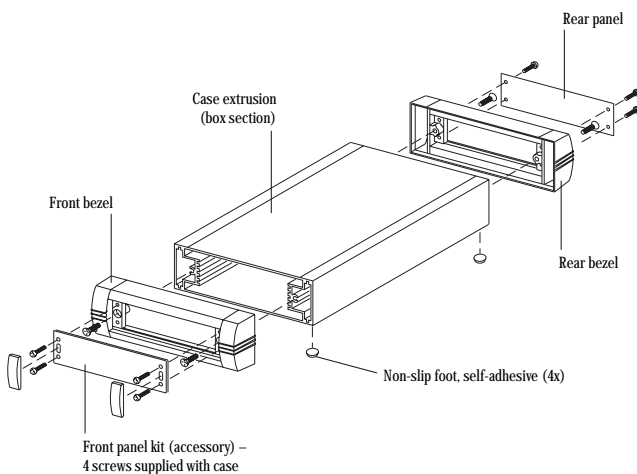
FRONT PANEL KIT:

Supplied with two trims which hide the fixing screws and allow easy assembly of membrane keyboards.

EUROCARD MOUNTING KIT:

For mounting a Eurocard to the front panel. Mounting details see page 26.

SUPPLY



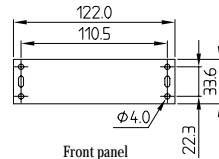
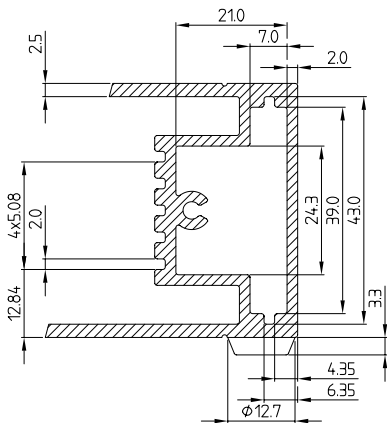
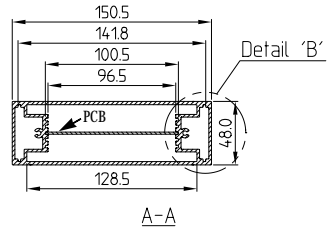
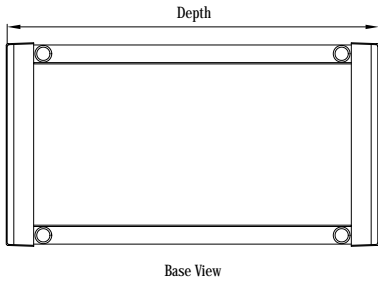
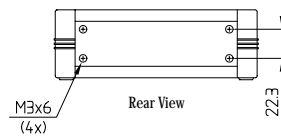
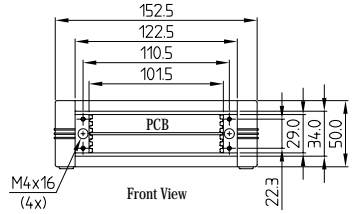
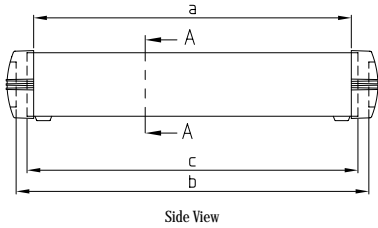
METTEC SINGLE EUROCARD CASES

Part No.		Outside dim. in mm			Inside dim. in mm			
anthracite	off-white	For Eurocard...	Height	Width	Depth	a	b	c
M 57 14 054	M 57 14 057	100 x 160 mm	50	152.5	220	180	206.5	190
M 57 15 054	M 57 15 057	100 x 220 mm	50	152.5	280	240	266.5	250

ACCESSORIES

Article	Application / Supply
M 57 00 622	2 mm anodised aluminium; 1 front panel, 2 ABS trims RAL 7035 to hide the fixing screws
M 57 00 017	Eurocard mounting kit for mounting a front panel to the Eurocard, 2 mounting blocks and required screws

METTEC SINGLE EUROCARD CASES



EUROCARD CASES

METTEC DOUBLE EUROCARD CASES

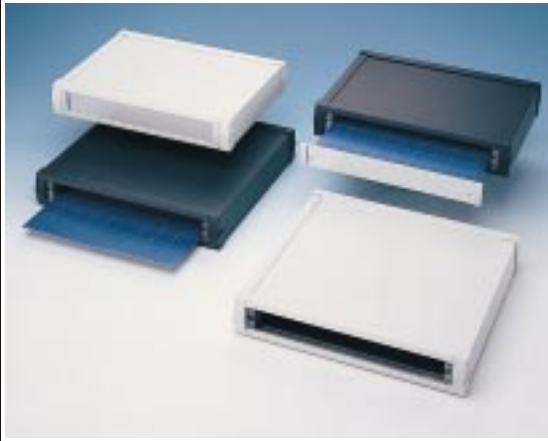
Designed to accept double DIN 41612 Eurocards 233.4 x 160 mm and 233.4 x 220 mm in five horizontal positions.

ASSEMBLY

Very robust construction in aluminium assembled by four M4 screws. The side extrusions also incorporate enclosed vertical guide positions for hidden components and devices.

For high shielding attenuation all internal parts are masked and interlock with each other. The front panel mounting face on the bezel is also masked for electrical contact.

All cases are supplied assembled and include the fixings for the accessory front panels and four non-slip self-adhesive feet.



ACCESSORIES

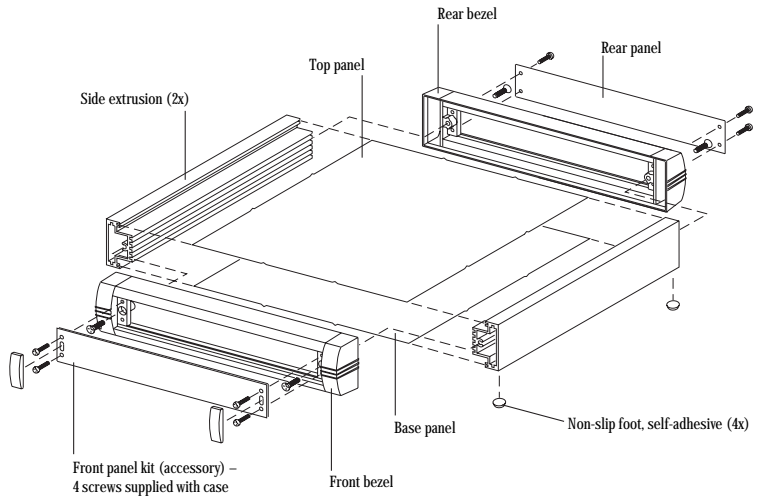
FRONT PANEL KIT:

Supplied with two trims which hide the fixing screws and allow easy assembly of membrane keyboards.

EUROCARD MOUNTING KIT:

For mounting a Eurocard to the front panel. Mounting details see page 26.

SUPPLY



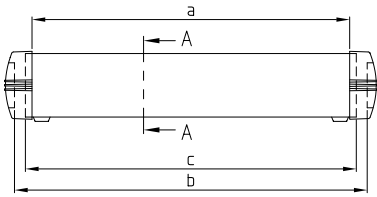
METTEC DOUBLE EUROCARD CASES

Part No.		Outside dim. in mm			Inside dim. in mm			
anthracite	off-white	For Eurocard...	Height	Width	Depth	a	b	c
M 57 27 054	M 57 27 057	233.4 x 160 mm	50	286	220	180	206.5	190
M 57 28 054	M 57 28 057	233.4 x 220 mm	50	286	280	240	266.5	250

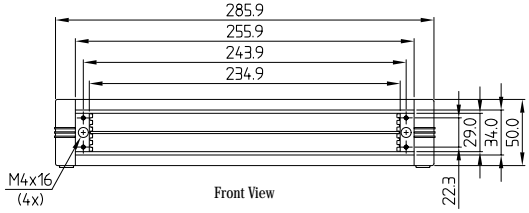
ACCESSORIES

Article	Application / Supply
M 57 00 623	2 mm anodised aluminium; 1 front panel, 2 ABS trims RAL 7035 to hide the fixing screws
M 57 00 017	Eurocard mounting kit for mounting a front panel to the Eurocard, 2 mounting blocks and required screws

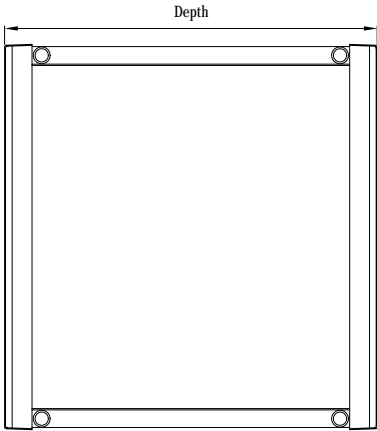
METTEC DOUBLE EUROCARD CASES



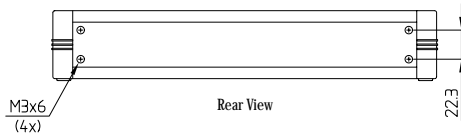
Side View



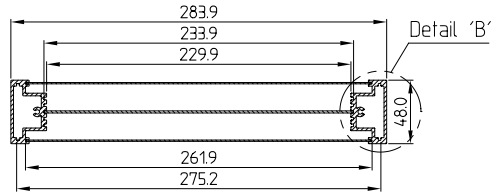
Front View



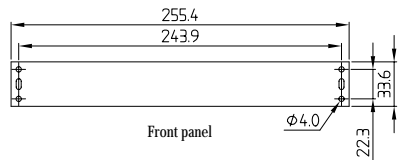
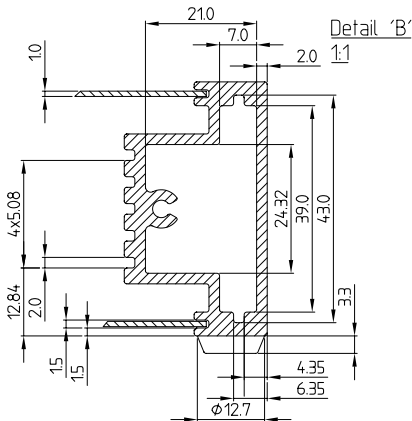
Base View



Rear View



A-A



Front panel

EUROCARD MOUNTING KIT

For applications where the PCB must be fitted to the front panel e.g. plug-in units, this kit provides the necessary parts. The front panel must be drilled as per these drawings so that the mounting block is aligned with the selected guide rail in the case.



Supply:

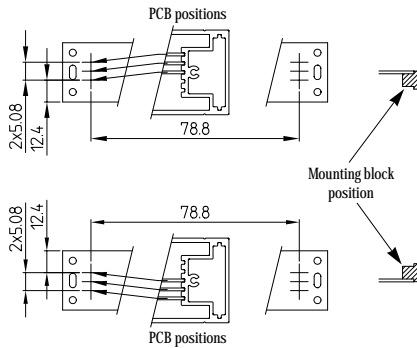
2 mounting blocks.

4 M2.5 fixings.

Drilling instructions.

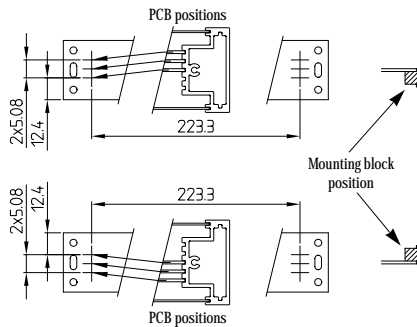
SINGLE EUROCARD CASE

Drill two holes in front panel $\varnothing 2.8$ CSK $\varnothing 5.5 \times 90^\circ$



DOUBLE EUROCARD CASE

Drill two holes in front panel $\varnothing 2.8$ CSK $\varnothing 5.5 \times 90^\circ$



Part No.

M 57 00 017