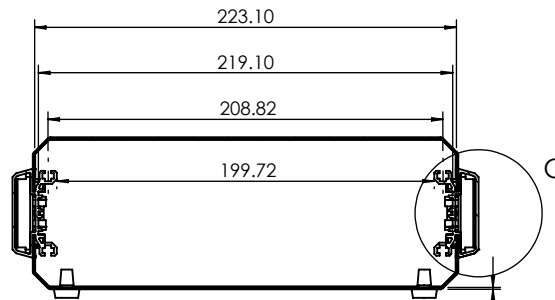
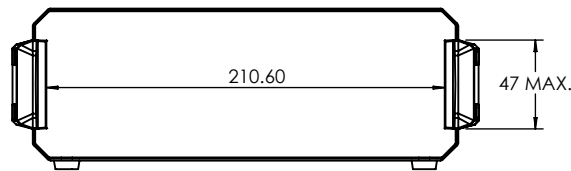


SECTION B-B
SCALE 1 : 4

OVERALL ASSEMBLY DIMENSION:

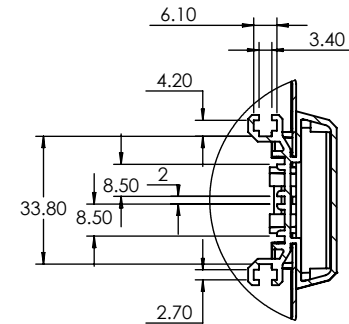
EXTERNAL - 246.6 x 175 x 80.4

INTERNAL - 222.4 x 163 x 78.4

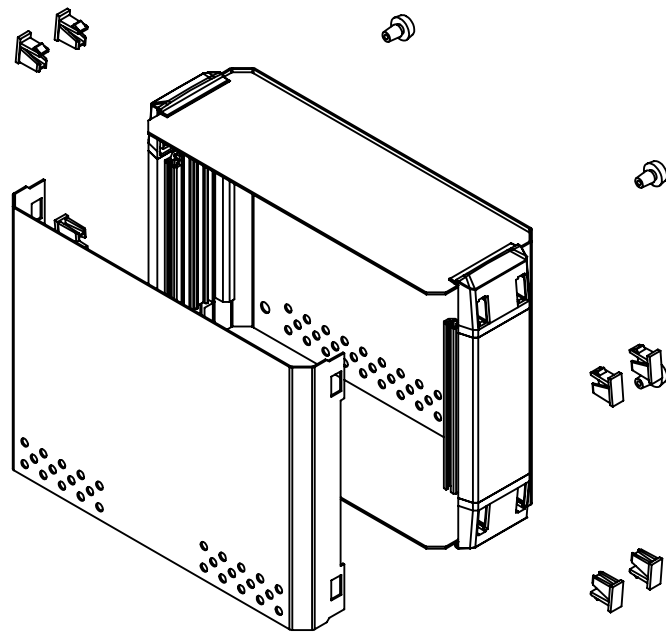


SECTION A-A
SCALE 1 : 4

1
SHEET THICKNESS



DETAIL C
SCALE 1 : 2



CAMDENBOSS
ELECTRONICS & ENCLOSURES
JAMES CARTER RD, MILDENHALL, SUFFOLK. IP28 7DE
TEL: 01638 716101 FAX: 01638 716554
EMAIL: Sales@CamdenBoss.com
WEB: www.CamdenBoss.com

UNLESS OTHERWISE SPECIFIED:
DIMENSIONS ARE IN MILLIMETERS

DO NOT SCALE DRAWING

REVISION. ○

GENERAL TOLERANCES +/- 0.2

TITLE:

GNL ASSEMBLY DRG FOR
CDIC00003 INSTRUMENT CASE

FINISH.

DWG NO.

CDIC00003

A4

	NAME	SIGNED	DATE
DRAWN	IAN PAGANO	I.P.	18/02/13
CHKD	-	-	-

MATERIAL.

VAR

PROJECTION.



SCALE: 1 : 4

SHEET 1 OF 1