



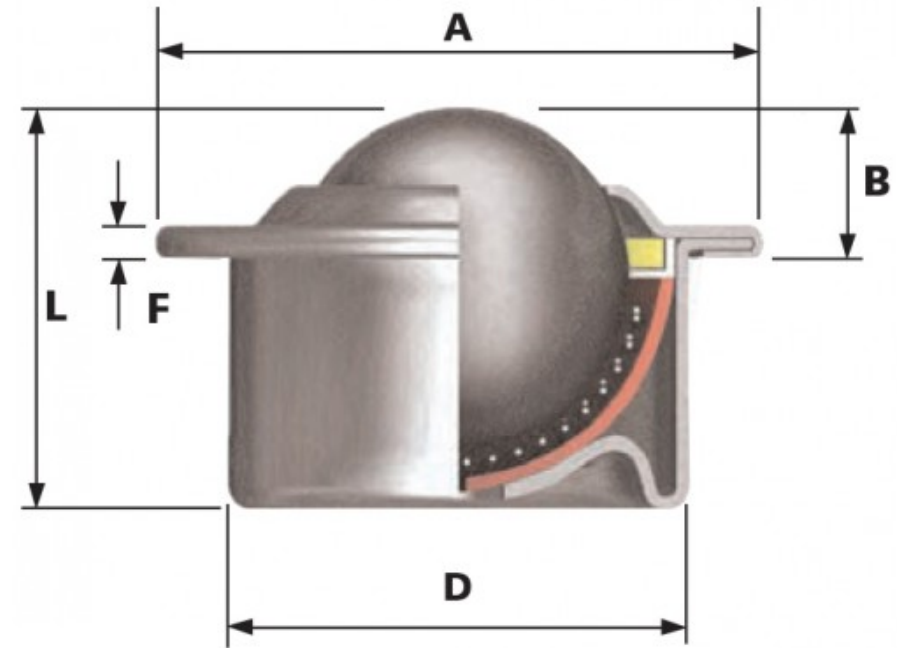
Plain Body Drop-in Unit

Maximum Load Capacity up to 610kg



Load Ball Diameter Ø (mm)	15.8
Fixing Methods	Hole
Max Dynamic Loading (Kg) LOAD BALL DOWN	Contact Technical
Max Dynamic Loading (Kg) LOAD BALL UP	60
Dimension A - Max Diameter (mm)	31
Dimension B - Working Height of Ball (mm)	9.5 +/- 0.2
Dimension D - Body Diameter (mm)	24 +/- 0.065
Dimension F - Flange Thickness (mm)	2.8
Dimension L - Overall Height (mm)	21
Load Capacity Ranges	51 < 100 Kg
Weight (Kg)	0.043

EURO 0 UNITS



Simple drop-in unit can be secured with a variety of clips if required. Dimensionally compatible with the Heavy Duty 800 Series units.