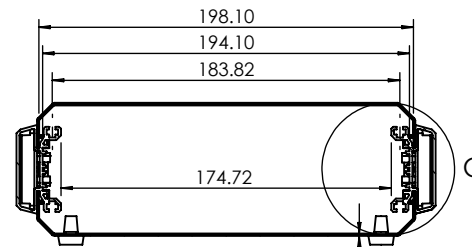
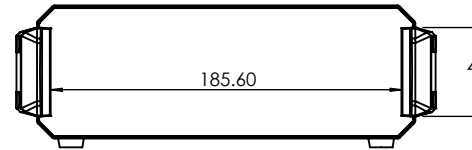


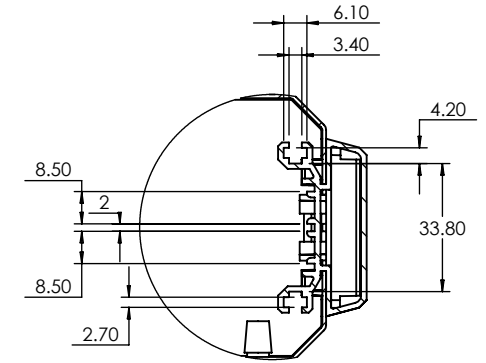
SECTION A-A
SCALE 1 : 4

OVERALL ASSEMBLY DIMENTIONS:
EXTERNAL - 221.5 x 205 x 70.4
INTERNAL - 198 x 193 x 68.4

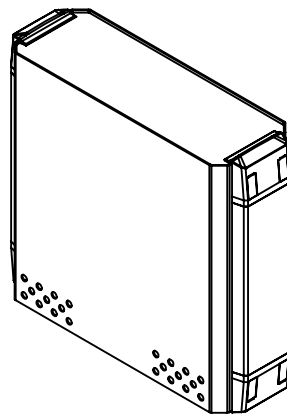


SECTION B-B
SCALE 1 : 4

1 mm
SHEET THICKNESS



DETAIL C
SCALE 1 : 2



CAMDENBOSS
ELECTRONICS & ENCLOSURES

JAMES CARTER RD, MILDENHALL, SUFFOLK. IP28 7DE
TEL: 01638 716101 FAX: 01638 716554
EMAIL: Sales@CamdenBoss.com
WEB: www.CamdenBoss.com

UNLESS OTHERWISE SPECIFIED:
DIMENSIONS ARE IN MILLIMETERS

GENERAL TOLERANCES +/- 0.2

FINISH. ---

MATERIAL. VAR

PROJECTION.

DO NOT SCALE DRAWING

REVISION.

TITLE: GNL ASSEMBLY DRG FOR
CDIC00002 INSTRUMENTS
CASE

DWG NO. CDIC00002

A4

	NAME	SIGNED	DATE
DRAWN	IAN PAGANO	I.P.	18/02/13
CHK'D	-	-	-

SCALE: 1 : 2

SHEET 1 OF 1