

# Unimet

## Unimet Desk Cases

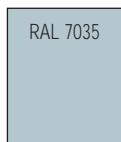
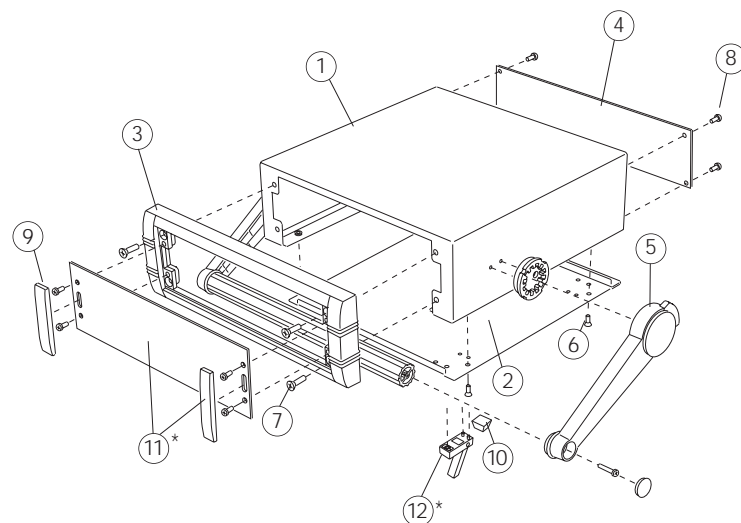
Modern instrument cases for desktop or portable applications. With or without a tilt/swivel carry handle bar. Folded aluminium case body with die-cast front bezel. Base and rear panels are removable. Front panel kit ordered separately.

## Unimet Tischgehäuse

Modernes Instrumentengehäuse für Tischanwendungen oder mobilen Einsatz. Mit oder ohne Aufstell-/ Tragebügel. Oberteil gekantet aus Aluminium mit Druckguss-Frontrahmen. Boden- und Rückplatten sind abnehmbar. Frontplatten-Set als Zubehör.

## Boîtier de table Unimet

Boîtier moderne pour instruments utilisable pour les applications de table ou portables. Avec ou sans poignée étrier/poignée de transport. Partie supérieure au bord replié, en aluminium avec cadre frontal moulé sous pression. Les plaques inférieures et arrières sont amovibles. Kit de plaque avant en accessoire.



Standard colours  
Standardfarben  
Coloris standard

### Supply

- ① Top cover
- ② Base panel
- ③ Front bezel
- ④ Rear panel
- ⑤ Carry handle bar
- ⑥ M3 x 8 mm (x4)
- ⑦ M4 x 16 mm (x4)
- ⑧ M3 x 6 mm (x4)
- ⑨ M3 x 8 mm (x4)
- ⑩ Rubber foot (x4)
- ⑪ \*Front panel kit
- ⑫ \*ABS feet

\* Accessories

### Lieferumfang

Oberteil  
Bodenplatte  
Frontrahmen  
Rückplatte  
Aufstell-/ Tragebügel

- M3 x 8 mm (x4)
- M4 x 16 mm (x4)
- M3 x 6 mm (x4)
- M3 x 8 mm (x4)
- Gummifuß (x4)
- \*Frontplatten-Set
- \*Gehäusefüße (ABS)
- \*Zubehör

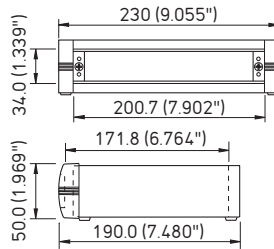
### Fourniture

Partie supérieure  
Plaque inférieure  
Cadre frontal  
Plaque arrière  
Poignée étrier/poignée de transport  
M3 x 8 mm (x4)  
M4 x 16 mm (x4)  
M3 x 6 mm (x4)  
M3 x 8 mm (x4)  
Pied de boîtier (x4)  
\*Kit de plaque avant  
\*Pieds de boîtier (ABS)  
\*Accessoires

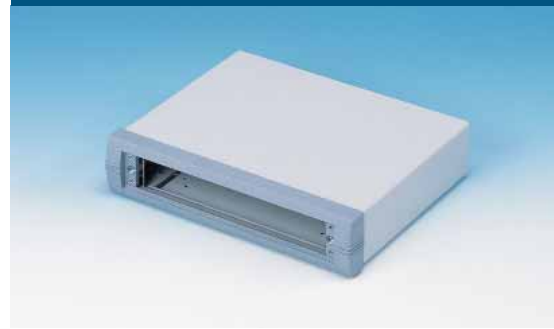
### Unimet 1

230mm 190mm 50mm  
9.055" 7.480" 1.969"

**Part No.**  
Bestell-Nr./Réf.  
**M 56 23 005**



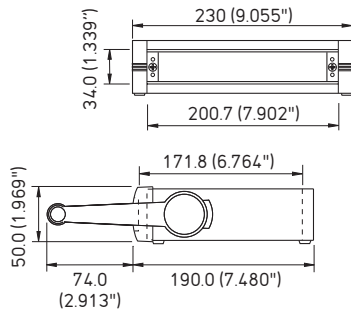
### Unimet 1



### Unimet 1H

230mm 190mm 50mm  
9.055" 7.480" 1.969"

**Part No.**  
Bestell-Nr./Réf.  
**M 56 23 025**



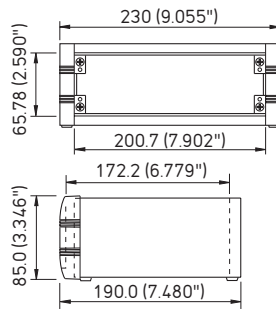
### Unimet 1H



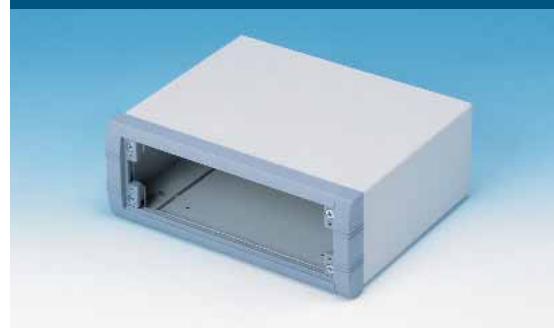
### Unimet 2

230mm 190mm 85mm  
9.055" 7.480" 3.346"

**Part No.**  
Bestell-Nr./Réf.  
**M 56 23 105**



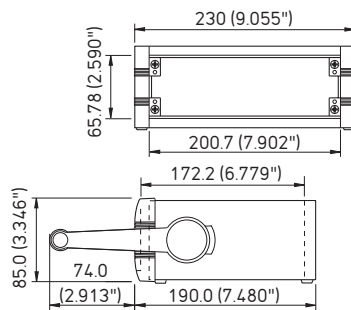
### Unimet 2



### Unimet 2H

230mm 190mm 85mm  
9.055" 7.480" 3.346"

**Part No.**  
Bestell-Nr./Réf.  
**M 56 23 125**



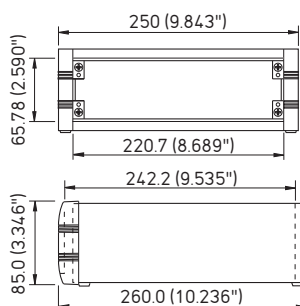
### Unimet 2H



### Unimet 3

250mm 260mm 85mm  
9.843" 10.236" 3.346"

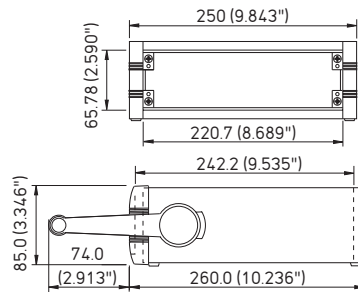
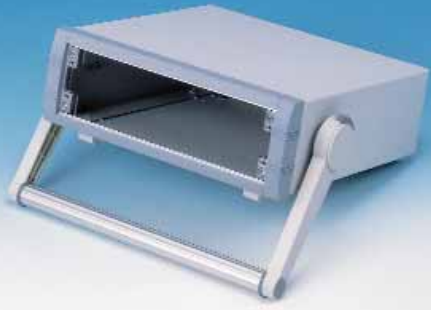
**Part No.**  
Bestell-Nr./Réf.  
**M 56 25 105**



### Unimet 3



## Unimet 3H



## Unimet 3H

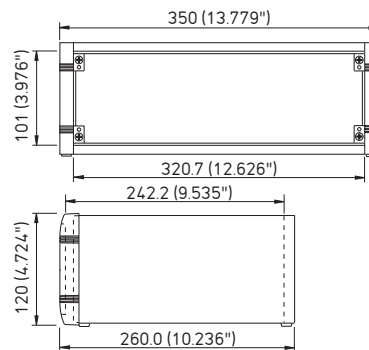
250mm 260mm 85mm  
9.843" 10.236" 3.346"

### Part No.

Bestell-Nr./Réf.

**M 56 25 125**

## Unimet 4



## Unimet 4

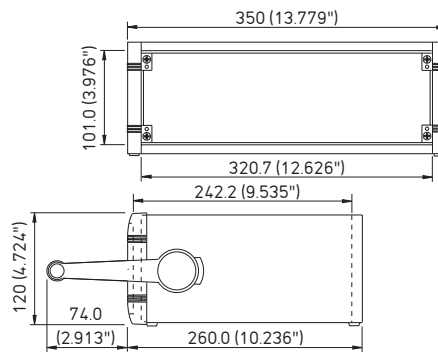
350mm 260mm 120mm  
13.779" 10.236" 4.724"

### Part No.

Bestell-Nr./Réf.

**M 56 35 205**

## Unimet 4H



## Unimet 4H

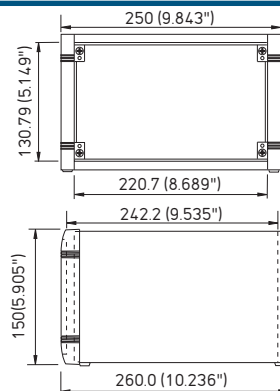
350mm 260mm 120mm  
13.779" 10.236" 4.724"

### Part No.

Bestell-Nr./Réf.

**M 56 35 225**

## Unimet 5



## Unimet 5

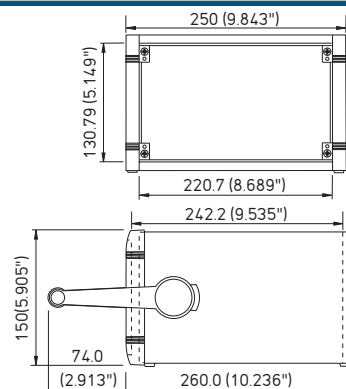
250mm 260mm 150mm  
9.843" 10.236" 5.905"

### Part No.

Bestell-Nr./Réf.

**M 56 25 305**

## Unimet 5H



## Unimet 5H

250mm 260mm 150mm  
9.843" 10.236" 5.905"

### Part No.

Bestell-Nr./Réf.

**M 56 25 325**



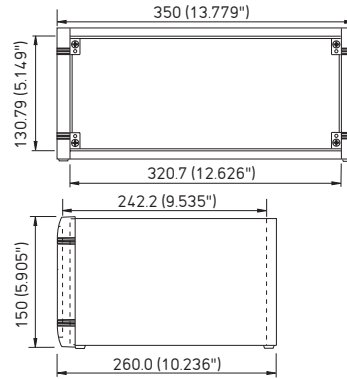
## Unimet 6

350mm 260mm 150mm  
13.779" 10.236" 5.905"

**Part No.**

Bestell-Nr./Réf.

**M 56 35 305**



## Unimet 6



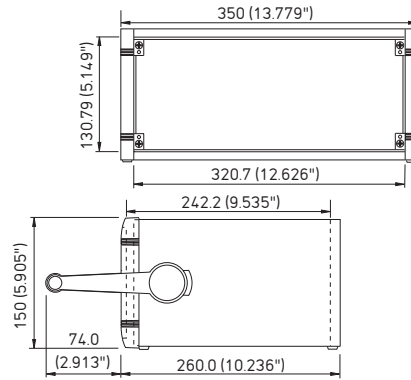
## Unimet 6H

350mm 260mm 150mm  
13.779" 10.236" 5.905"

**Part No.**

Bestell-Nr./Réf.

**M 56 35 325**



## Unimet 6H



## Front Panel Kit

Frontplatten-Set

Kit De Plaque Avant

**Part No.**

Bestell-Nr./Réf.

**M 57 00 607**

**Version**

1/1H

**A**

33.6 (1.323")

**B**

199.5 (7.854")

**C**

188 (7.402")

**D**

22.3 (0.878")

**M 57 00 608**

2/2H

65.1 (2.563")

199.5 (7.854")

188 (7.402")

30.8 (1.213")

**M 57 00 613**

3/3H

65.1 (2.563")

219.5 (8.642")

208 (8.189")

30.8 (1.213")

**M 57 00 620**

4/4H

100.1 (3.941")

319.5 (12.579")

308 (12.126")

65.8 (2.591")

**M 57 00 616**

5/5H

130.1 (5.122")

219.5 (8.642")

208 (8.189")

95.8 (3.772")

**M 57 00 621**

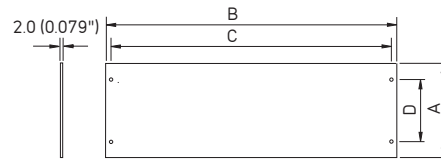
6/6H

130.1 (5.122")

319.5 (12.579")

308 (12.126")

95.8 (3.772")



## Front Panel Kit



## ABS Case Feet

Gehäusefüße (ABS)

Pieds De Boîtier (ABS)

**Part No.**

Bestell-Nr./Réf.

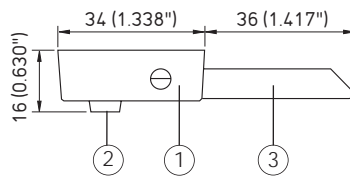
**M 56 00 015**

**Article**

① x 4 + ② x 4

**M 56 00 045**

① x 4 + ② x 4 + ③ x 2



## ABS Case Feet



## PCB Pillars

Leiterkarten Montage-Set

Vis Pour Montage Des Circuits Imprimés

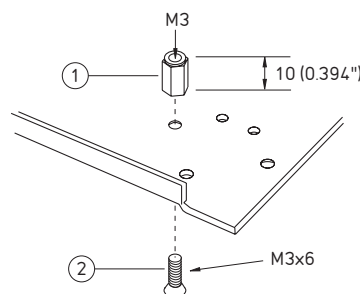
**Part No.**

Bestell-Nr./Réf.

**M 56 00 001**

**Article**

① x 10 + ② x 10



## PCB Pillars

