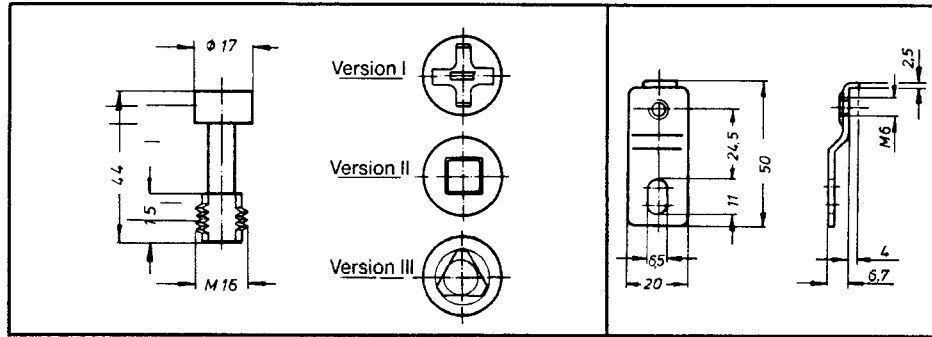


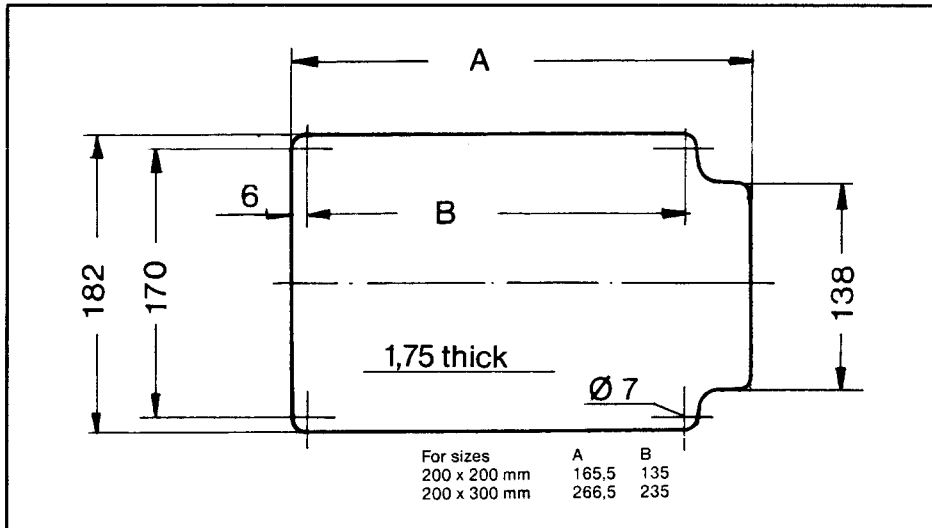
Accessories



Door lock
 Plastic, self extinguishing
 Philips headed lock I
 Square headed lock II
 Triangular headed lock III

External mounting brackets
 stainless steel
 1 set packed in Plastic bag
 Type 10.052008

**NOT
 SUPPLIED**



Mounting plate
 Steel sheet, surface refined.

Quote when ordering

Version

Empty case _____ 21. _ _ _
 Empty case with window _____ 22. _ _ _

Size

200 x 200 mm _____ 20 20
 200 x 300 mm _____ 20 30

Lock

Triangular headed lock _____ 03
 Square headed lock _____ 04
 Philips-headed lock _____ 05

Accessories	Order-No.
Triangular headed key	94310
Square headed key	94311
Philips-headed key	94320
Mounting plate for size 200 x 200 mm	10.089202
Mounting plate for size 200 x 300 mm	10.089204
External mounting brackets (Set)	10.052008

RS 507-595

Technical alterations reserved.