



- Polyester GRP enclosure systems of polyester resin for industrial application
- Two level fitting possibility
- Combination of several enclosures by connecting flange

Technical data

Material:

glass fibre reinforced duroplastic Polyester

Colour:

RAL 7000, squirrel grey

special colour on request

Ingress protection:

IP 66, EN 60529

Impact resistance:

7 Joule, EN 60079-0

Flammability:

self-extinguishing, UL 94/V0

Surface resistance:

$>10^{12}$ Ohm, IEC 60093

Disruptive strength:

18 KV/mm, IEC 60243-1

Insulation:

fully insulated to VDE 0100

Toxicity:

halogen free

Temperature range:

PU (polyurethane) seal: -40°C to +90°C

CR (chloroprene) seal: -40°C to +100°C

VMQ (silicone) seal (optional): -60°C to +130°C

Including in delivery:

Enclosure consisting of lid and base with screws, individual system and height adjustment of mounting frame and mounting plate by 4 fixing elements

Polyester CombiBox

Product range

Order No.	Order No. EMC version	Type	Dimensions (mm)
02.01 22 15	02.02 22 15	CombiBox 1	177 x 177 x 145
02.01 24 15	02.02 24 15	CombiBox 2	360 x 177 x 145
02.01 44 15	02.02 44 15	CombiBox 3	360 x 360 x 145

Accessories

02.01 99 01	Flange
02.01 99 02	Mounting frame 177 x 177 mm CombiBox 1
02.01 99 03	Mounting frame 177 x 360 mm CombiBox 2
02.01 99 04	Mounting frame 360 x 360 mm CombiBox 3
02.01 99 05	Mounting frame fastening set
02.01 99 06	Lid safety strip
02.01 99 07	Well nut set
02.01 99 10	Mounting plate CombiBox 1
02.01 99 11	Mounting plate CombiBox 2
02.01 99 12	Mounting plate CombiBox 3
10.06 14 85	DIN rail TS 35/7.5 160 mm
10.06 14 86	DIN rail TS 35/7.5 110 mm
10.06 14 87	DIN rail TS 35/7.5 145 mm
10.06 14 88	DIN rail TS 35/7.5 293 mm
10.06 14 94	Bearer plate CombiBox 110
10.06 14 95	Bearer plate CombiBox 360
10.06 14 96	Bearer plate CombiBox 360 long

Terminal mounting

Make	Phoenix																Earthing bar 2.5 mm ² with cable lug max. 10 mm ²	Earthing screw M4 with cable lug max. 6 mm ²	M6 with cable lug max. 35 mm ²	Earth connections as required
DIN rail TS 15	X	X	X																	
DIN rail TS 35				X	X	X	X	X	X	X	X	X	X	X	X					
Voltage (V)	250	500	500	500	800	800	800	800	800	800	1000	1000	1000	1000						
Current (A)	24	24	32	17,5	24	24	32	41	57	76	125	150	232	309	415					
Nom. cross section (mm ²)	2,5	2,5	4	1,5	2,5	2,5	4	6	10	16	35	50	95	150	240					
Terminal width (mm)	5,2	5,2	6,2	4,2	5,2	5,2	6,2	8,2	10,2	12,2	16	20	25	31	36					
Terminal type																				
Type	MBK 2,5 E	MBK 3 / E-Z	MBK 5 / E-Z	UK 1,5 N	UK 2,5 N	UK 3 N	UK 5 N	UK 6 N	UK 10 N	UK 16 N	UK 35	UKH 50	UKH 95	UKH 150	UKH 240					
02.01 22 15	18	18	15	23	18	18	15	11	9	7	6									
02.01 24 15	53	53	45	66	53	53	45	34	27	22	18									
02.01 44 15	212	212	135	264	212	212	135	102	81	44	36	28	11	11						

Make	Weidmüller																			
DIN rail TS 15				X	X	X	X													
DIN rail TS 35								X	X	X	X	X	X	X	X	X	X	X	X	X
Voltage (V)	400	400	400	400	250	250	400	500	800	800	800	1000	1000	1000	1000	1000	1000	1000	1000	1000
Current (A)	32	32	32	17,5	17,5	24	32	24	24	32	41	57	76	125	150	192	232	269	309	415
Nom. cross section (mm ²)	4	4	4	1,5	1,5	2,5	4	2,5	2,5	4	6	10	16	35	50	70	95	120	150	240
Terminal width (mm)	38	52	92	3,5	5,1	5,1	6,1	5,1	5,1	6,1	7,9	9,9	11,9	16	18,5	20,5	27	27	32	36
Terminal type																				
Type	BK 4 (4-pole)	BK 6 (6-pole)	BK 12 (12-pole)	WDU 1,5 / R 3,5	AKZ 1,5	AKZ 2,5	AKZ 4	WDU 2,5 N	WDU 2,5	WDU 4	WDU 6	WDU 10	WDU 16	WDU 35	WDU 50 N	WDU 70 N	WDU 70 / 95	WDU 95 / 120 N	WDU 120 / 150	WDU 240
02.01 22 15	2	1	1	18	23	18	15	18	18	15	11	9	7	6						
02.01 24 15	8	4	2	53	66	53	45	53	53	45	34	27	22	18						
02.01 44 15	16	8	4	212	264	212	135	212	212	135	102	81	44	36	14	13	10	10		

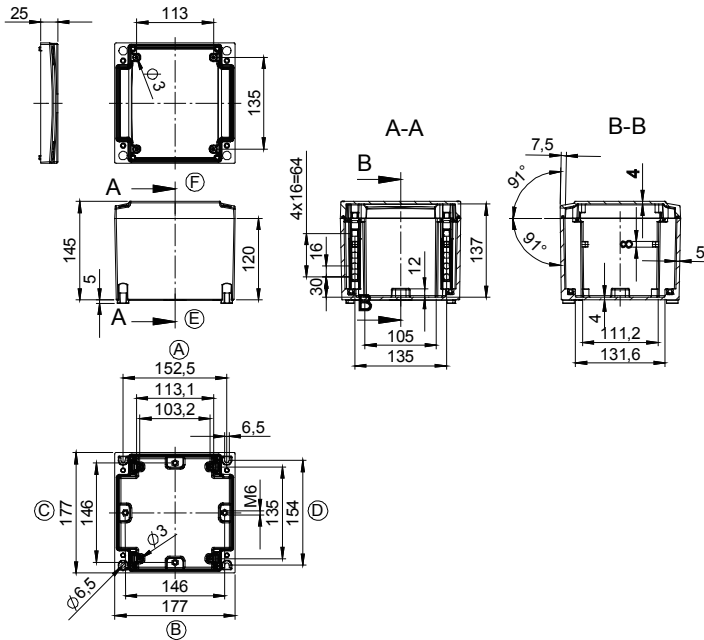
Earthing bar and earth connection see terminal mounting Phoenix

Type: **02.01 22 15**

External dimensions: **177 x 177 x 145 mm**

Weight: **1700 g**

DIN rail length in mm	max. fitting length in mm	Mounting plate (thickness in mm)	External mounting brackets	Lid safety strip	EMC version	Allen lid screws	Silicone lid seal	Sealable lid screws
TS 35								
152	115	1,5		•	•		•	



Maximum number of cable glands to DIN 50262*

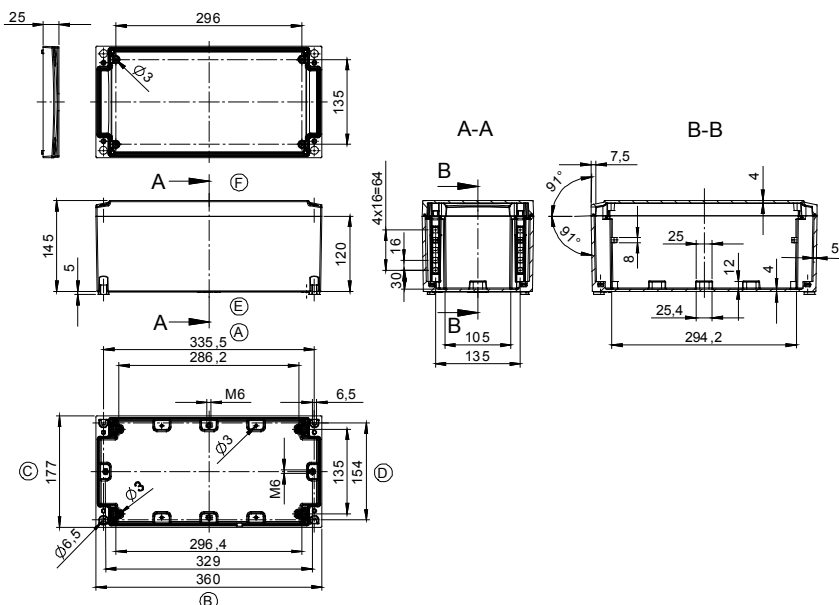
M	Corner dim.	Side		PG	Corner dim.	Side	
		A/B	C/D			A/B	C/D
12	17,25	36	36	7	17,25	36	36
16	25,30	16	16	9	21,85	20	20
20	27,60	12	12	11	25,30	16	16
25	37,95	6	6	13,5	27,60	12	12
32	48,30	4	4	16	31,05	10	10
40	60,95	2	2	21	37,95	6	6
50	69,00	1	1	29	48,30	4	4
63	74,75	1	1	36	60,95	2	2
				42	69,00	1	1
				48	74,75	1	1

Type: **02.01 24 15**

External dimensions: **360 x 177 x 145 mm**

Weight: **2681 g**

DIN rail length in mm	max. fitting length in mm	Mounting plate (thickness in mm)	External mounting brackets	Lid safety strip	EMC version	Allen lid screws	Silicone lid seal	Sealable lid screws
TS 35								
333	285	1,5		•	•		•	



Maximum number of cable glands to DIN 50262*

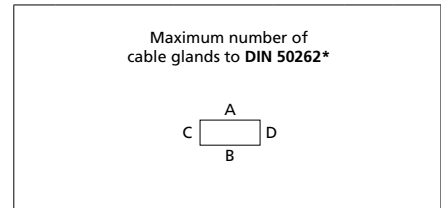
M	Corner dim.	Side		PG	Corner dim.	Side	
		A/B	C/D			A/B	C/D
12	17,25	109	36	7	17,25	109	36
16	25,30	50	16	9	21,85	65	20
20	27,60	40	12	11	25,30	48	16
25	37,95	21	6	13,5	27,60	40	12
32	48,30	12	4	16	31,05	32	10
40	60,95	9	2	21	37,95	21	6
50	69,00	5	1	29	48,30	12	4
63	74,75	4	1	36	60,95	7	2
				42	69,00	5	1
				48	74,75	4	1

Type: **02.01 44 15**

External dimensions: **360 x 360 x 145 mm**

Weight: **4025 g**

DIN rail length in mm	max fitting length in mm	Mounting plate (thickness in mm)	External mounting brackets	Lid safety strip	EMC version	Allen lid screws	Silicone lid seal	Sealable lid screws
TS 35								
333	285	1,5		•	•		•	



M	Corner dim.	Side		PG	Corner dim.	Side	
		A/B	C/D			A/B	C/D
12	17,25	109	109	7	17,25	109	109
16	25,30	50	50	9	21,85	65	65
20	27,60	40	40	11	25,30	48	48
25	37,95	21	21	13,5	27,60	40	40
32	48,30	12	12	16	31,05	32	32
40	60,95	9	9	21	37,95	21	21
50	69,00	5	5	29	48,30	12	12
63	74,75	4	4	36	60,95	7	7
				42	69,00	5	5
				48	74,75	4	4

