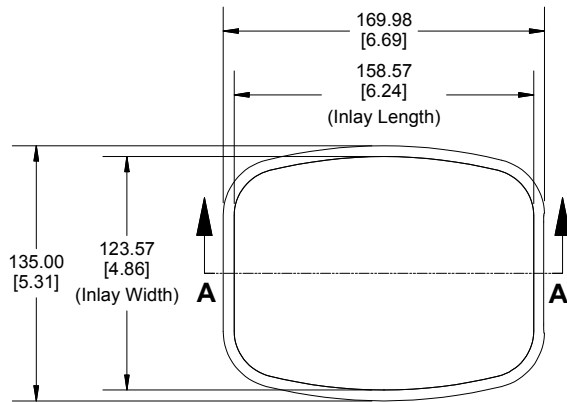
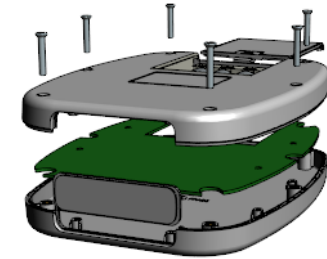
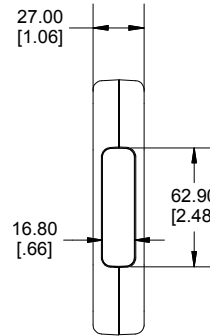


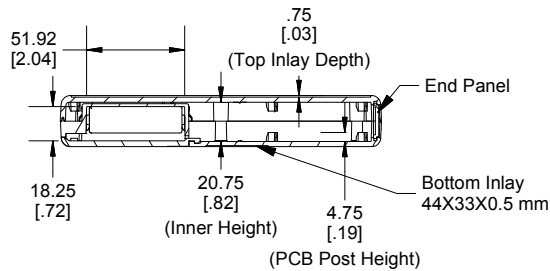
Top View of Assembly



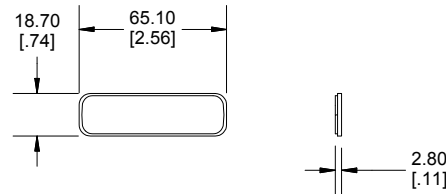
End View of Assembly



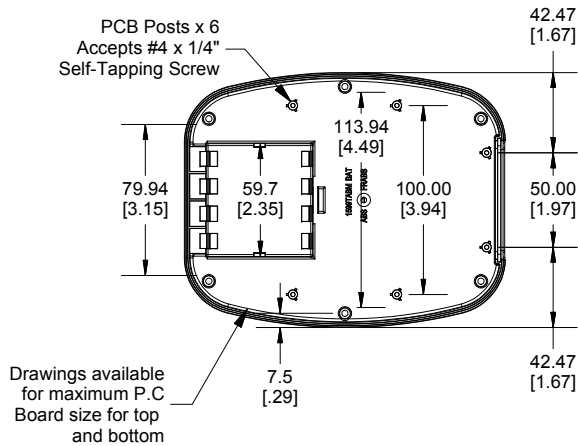
SECTION A-A (Side View of Assembly)



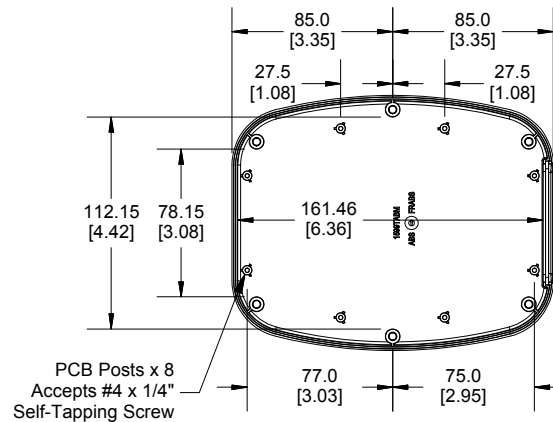
Removable Panel



Inside View Bottom



Inside View Top



Enclosures can be Factory Modified (Milling, Drilling, Printing etc.)
 Contact Factory mjm@hammondmfg.com for quotes
 Solid models of this enclosure available in STEP or IGES.

NOTE

Enclosure molded from FR ABS (UL94-V0) plastic.
 Purchased assembly includes top and bottom cover, 1 removable panel, battery door, battery spring clips (8 pcs), 9V adapter (2 pcs) and 6 cover screws (M3-0.5 x 18mm) . M3 Brass inserts are installed for cover screws. (P.C. Board not supplied)

PART NUMBERS

| 1599TABMBAT Enclosure | |
|------------------------------------|--|
| Black Enclosure | 1599TABMBKBAT |
| Grey Enclosure | 1599TABMGYBAT |
| ACCESSORIES | |
| Replacement Cover Screws (Pkg 100) | 1594MS100 (Silver) 1594MS100BK (Black) |
| P.C. Board Screws | 1593ATS50 (Pkg 50) 1593ATS100 (Pkg 100) |

HAMMOND MANUFACTURING™
1599TABMBAT
www.hammondmfg.com

Dimensions:
 mm
 [inches]