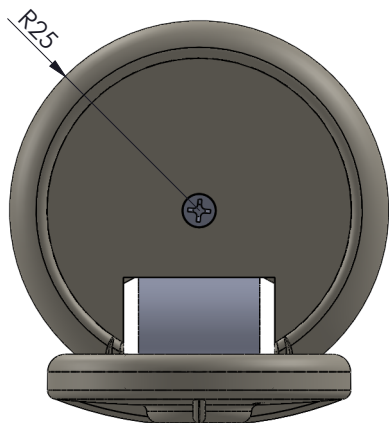
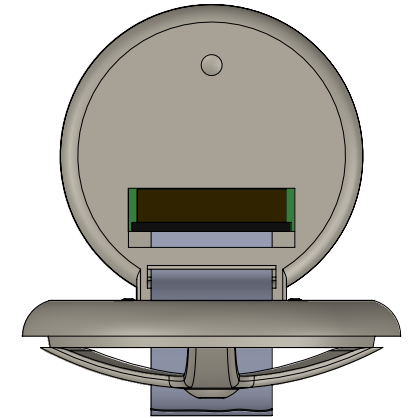
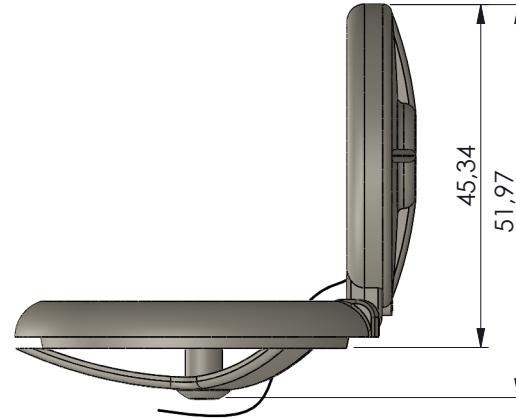
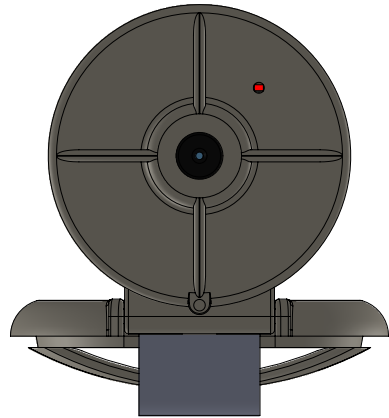
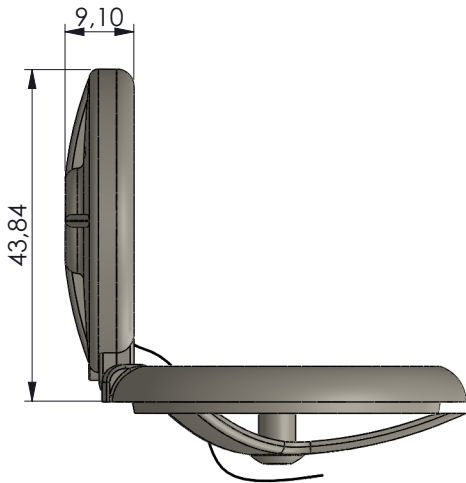
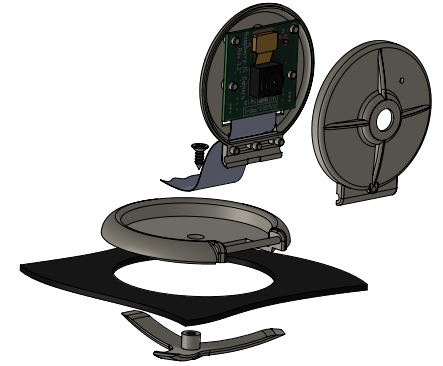

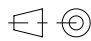


SUGGESTED HOLE DIMENSION



Proprietary and Confidential	<b>TEKO S.p.A.</b> Via dell'Industria 5 - S.Lazzaro di Savena - BO - IT			
	<i>Subject to technical modification without prior notice.            Tipographical and others errors do not justify any claim for damages.            All dimensions should be verified using an actual moulded part.</i>			
	Part Number: <b>RPI-CAM</b>	Date: 22/10/2013	Sheet: <b>1 of 1</b>	First angle prj. 
This document contains proprietary information of <b>TEKO S.p.a.</b> and is tendered subject to the conditions that the information be retained in confidence not be reproduced or copied and not be used or incorporated in any product			Size: <b>A4</b>	Scale: <b>1:1</b>