

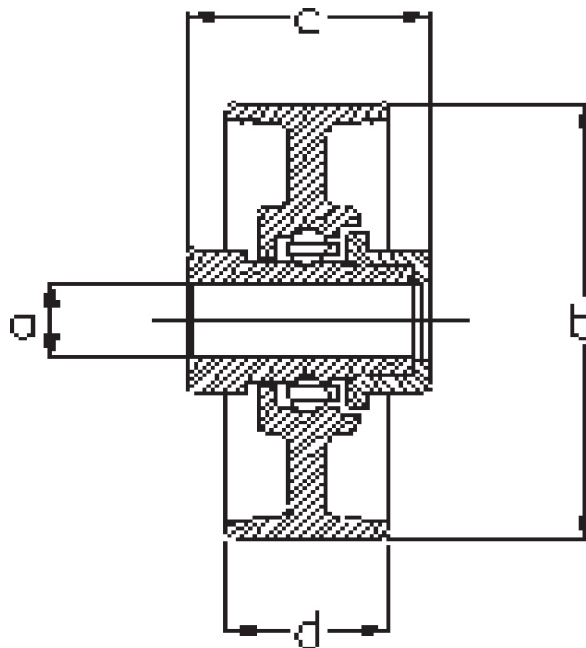
# Standard Product Programme

## Skate Wheels



Reference	a	b	c	d	Load Capacity kg
<b>Single Row</b>					
SW6.5/1B/D	6.5	48.5	23.8	15.8	25
SW6.5/2E/D	6.5	48.5	23.8	15.8	25
SW8/1B/D	8	48.5	23.8	15.8	8
SW8/2E/D	8	48.5	23.8	15.8	8
<b>Double Row</b>					
DA6.5/1R/D	6.5	48.5	21	15.8	35
DA6.5/2Y/D	6.5	48.5	21	15.8	35
DA8/1R/D	8	48.5	21	15.8	25
DA8/2Y/D	8	48.5	21	15.8	25

SINGLE



DOUBLE

