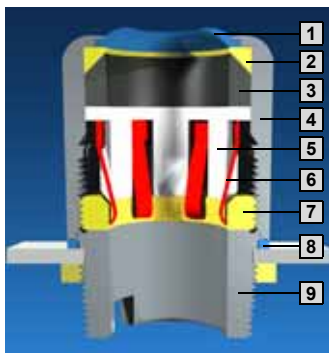


Cable management

Cable gland



- 1 External cable seal
- 2 Compression ring
- 3 Internal cable seal
- 4 Cap nut
- 5 Gripper jaws
- 6 Shield spring (EMC version only)
- 7 Clamping ring
- 8 Enclosure seal
- 9 Base with locator for assembly tool

Stainless steel cable gland, Hygienic Design

Suitable for use in the following areas

- Manufacturing and packaging of foodstuffs etc.
- Clean room technology (e.g. pharmaceuticals)
- Biotechnology
- Chemical industry

Benefits:

- Smooth, solid exterior surfaces effectively prevent the depositing of harmful micro-organisms. All threads are beneath the cap nut.
- Much easier, therefore cheaper, cleaning compared with conventional stainless steel cable glands.
- Reliable strain relief, thanks to duplicate cable attachment.
- Resistant to high-pressure cleaning (protection category IP 69K).

Material:

Cap nut: Stainless steel 1.4305 (AISI 303)

External seals: Made from FDA-approved material

Protection category:

IP 68 (5 bar, 30 min.) to EN 60 529/09.2000

IP 69K to DIN 40 050-9

Standard version

Size	Cable diameter mm	Packs of	Model No. HD
M12 x 1.5	3 – 6.5	5	2410.000
M16 x 1.5	4.5 – 10	5	2410.010
M20 x 1.5	6 – 12	5	2410.020
M25 x 1.5	11 – 17	5	2410.030

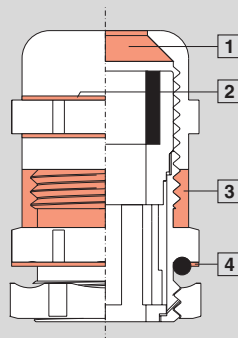
EMC version

Size	Cable diameter mm	Packs of	Model No. HD
M16 x 1.5	4.5 – 10	5	2410.110
M20 x 1.5	6 – 12	5	2410.120
M25 x 1.5	11 – 17	5	2410.130

Why hygiene-compatible cable glands?

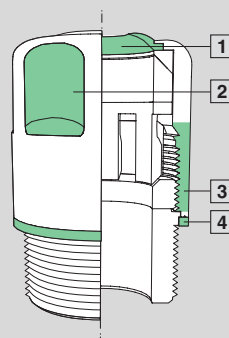
Critical points with conventional solutions

- 1 Cable entry in front of seal
- 2 No minimum radii on the hexagon
- 3 External thread
- 4 Gap caused by O-ring on the enclosure surface



Hygiene-compatible design features

- 1 Seal directly at the cable entry
- 2 Compliance with minimum radii on the hexagon
- 3 No external thread
- 4 Flush termination between the cap nut and the enclosure



Cable gland



Stainless steel lock nut

To fit the stainless steel Hygienic Design cable glands.

Material:

Stainless steel 1.4305 (AISI 303)

Size	Packs of	Model No. HD
M12 x 1.5	10	2410.200
M16 x 1.5	10	2410.210
M20 x 1.5	10	2410.220
M25 x 1.5	10	2410.230

Assembly tool

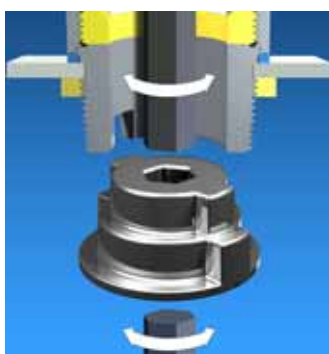
for cable gland, stainless steel Hygienic Design

For attaching a stainless steel Hygienic Design cable gland to an external thread or via locking nuts. This can be achieved either from the inside or from the outside using an Allen key.

Supply includes:

1 set =
adaptor for sizes from M12 – M25.

Packs of	Model No. HD
1 set	2410.290



B
7.8