



# NOVASTAR

The inNOVative  
19" electronics cabinet



**Pentair Technical Products.**

Pentair Technical Products, a global business unit of Pentair Inc., is a leading supplier of product and service solutions worldwide for the housing, cladding, protection and cooling of electrical and electronic systems. With the ultimate levels of quality and performance and the most modern designs available on the market, the company's leading brands Hoffman®, Schroff®, McLean® Cooling Technology, Calmark®, Birtcher®, Aspen Motion Technologies™ and Taunus™ offer a wide spectrum of standard products and custom solutions for trade, communications, energy, electronics, industry, infrastructure and medical technology and for security and defence.

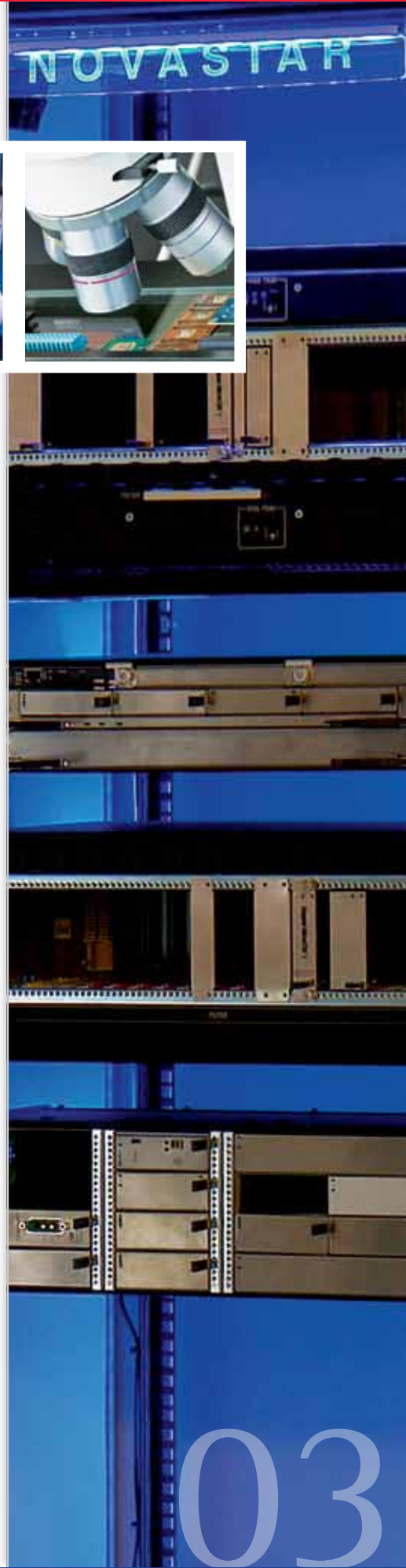
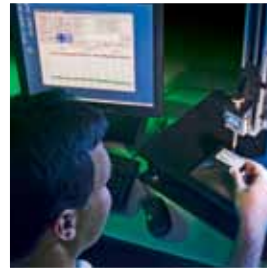
**Schroff.**

For more than four decades Schroff has been a world-leading developer and manufacturer of electronics packaging components and systems. Schroff supplies subracks and accessories, cases, 19" cabinets, backplanes, integrated systems and components, complete electronics systems for MicroTCA, AdvancedTCA, CompactPCI, PXI, VME, VME64x, VPX and VXS and also customised enclosure systems. Our complete solutions are based on standardised product platforms, which aid rapid, future-proof and cost-effective development. Throughout the entire lifecycle of your products, we remain at your side as your dependable partner. Worldwide.



# CONTENTS

THE INNOVATIVE ELECTRONICS CABINET. <b>Really clever. Remarkably smart!</b>	02-03
AREAS OF APPLICATION. <b>Functionality in the laboratory. Design in the studio.</b>	04-05
THE TECHNICAL DETAILS. <b>Frame. Cladding components. Accessories.</b>	06-08
SERVICE OPTIONS. <b>Configuration. Assembly. Modification.</b>	09
ORDERING INFORMATION. <b>Product selection. Part numbers.</b>	10-31



## REALLY CLEVER & REMARKABLY SMART!

### Functional, and aesthetic at the same time.

Securely storing your measuring instruments, accessing them directly or simply moving them from one laboratory to another - the more complex and individual your measurement, control, navigation or testing systems are, the more special are your requirements of the functionality of the appropriate electronics cabinet. If then a handsome visual design is also asked for, such as in the areas of audio, video and transmission systems, NOVASTAR is the right answer. In an exceptional way this combines functionality and aesthetics.

### Slim, and really robust.

The 19" aluminium frame with inwardly mounted cladding is fascinating for its attractive design and makes a good figure even without trims, decorative frames or doors. The slender frame with a width of only 553 mm is also impressive, with a remarkable static load-carrying capacity of up to 400 kg.

### Individual, yet economical.

From more than 30 standard dimensions and a wide range of accessories you can simply put your own NOVASTAR together. We can provide cut-outs and drilled holes where required. Choose your favourite colour from a range of 21, and ... from a quantity of just 1 and ready for delivery in only 10 working days. Thanks to the clever platform solution, your new NOVASTAR will also conserve your budget.

**NOVASTAR: FUNCTIONALITY AND AESTHETICS REDEFINED.**

03



**INSTRUMENTATION AND CONTROL TECHNOLOGY.**

- » *Measurement, control and navigation instruments*
- » *Mechanical test equipment*
- » *Process control devices*
- » *Laboratory systems*
- » *Medical technology*

**INDIVIDUAL. PRACTICAL.  
LIGHT. CONFIGURABLE.**

Clever functions, flexibility in dimension selection, and harmonious configurations – NOVASTAR scores with individually selectable parts and many practical advantages:

With or without a door, floor-standing or tabletop versions, with shelves, slide rails or support arms or with castors and handles for portable use, NOVASTAR opens up a wide scope of combination options for you.

With more than 30 different standard dimensions, the NOVASTAR aluminium cabinet platform is so flexible that it can be configured precisely for any area of application. And when your NOVASTAR needs to be moved, the aluminium frame is so light that its weight is negligible when transported.

**NOVASTAR: FUNCTIONALITY WITHOUT LIMITS.**





**AUDIO/VIDEO/BROADCASTING.**

**CLEARLY CONCEIVED.  
ELEGANT. INSPIRING.**

When the appearance of your electronics cabinet is at least as important as its function, NOVASTAR is hard to beat.

With or without cladding elements, in light grey, black grey or any of the 21 other colour variations, whether as tall as a man or under a table to save space - the NOVASTAR platform of electronics cabinets fits harmoniously and unobtrusively into any room concept.

With their straight lines, the completely closed fronts and many colour variations, NOVASTAR brings a classy accent to the studio - be it as a standalone solution or integrated into your existing equipment.

- » *Tuners, receiver, converters*
- » *Media and control units*
- » *Image and sound equipment*
- » *Conference and communications equipment*

**NOVASTAR: DESIGN THAT IMPRESSES.**



Made by EVS Broadcast Solutions ©



**MAIN FEATURES.**

- » 19" frame in aluminium profile
- » 2 load classes: Slim-Line & Heavy-Duty
- » Width: only 553 mm
- » Height: from 360 mm (6 U) to 2200 mm (47 U)
- » Depth: from 500 mm to 800 mm
- » Lateral T-groove

**LIGHT.  
SLIM.  
ROBUST.**

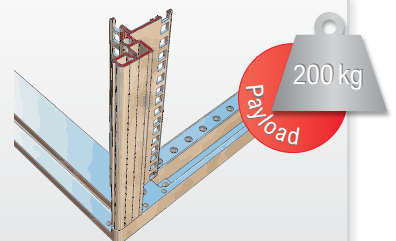
The base frame, made of light aluminium, is the basis of your individual NOVASTAR. And now you decide: short or tall, with standard depth or with extra space required for cabling and cooling, standalone or stacked one above another and bolted together. The NOVASTAR platform concept leaves no wishes unfulfilled. And however you configure your NOVASTAR, the internal dimensions remain consistently orientated to 19" systems. Unwanted gaps in either height or width are now a thing of the past.



**NOVASTAR: A SOLUTION FOR THE HIGHEST DEMANDS.**

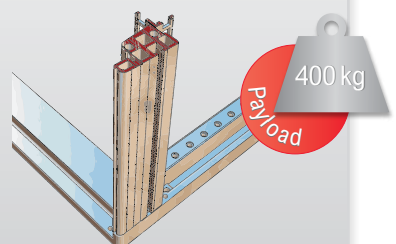
**SLIM-LINE. FOR MOBILE USE.**

Because of its die-cast aluminium frame NOVASTAR is so light as to be of negligible weight when transported, but maintains stability with up to 200 kg payload. Yet it fulfils the requirements of the IEC 61587-1 testing standard.



**HEAVY-DUTY. A MORE ROBUST VERSION.**

If you wish to load your cabinet more heavily, the Heavy-Duty version offers robustness tested to IEC 61587-1 for up to 400 kg. This is assured by the broader vertical profiles, and the clincher: the T-groove integrated into the side of the frame allows useful accessories to be perfectly fitted.





## STRAIGHT-LINED. ATTRACTIVE. INNOVATIVE.

Visible uprights with fluting that gives the appearance of classical pillars, internally positioned cladding components and completely closed fronts - nothing defines a cabinet as much as its front.

If you need extra protection for the equipment housed in the cabinet, fit handsome steel or all-glass doors to your NOVASTAR. But even without doors, cover trims or decorative frames, NOVASTAR cuts a fine figure - with direct access to the components within. And if required you can combine closed and open versions with one another to great effect. After all, NOVASTAR is based on a consistent design.



### NOVASTAR: PERFECTION DOWN TO THE DETAILS.

#### NEW DOOR HINGE CONCEPT.

Doors that open to an angle of up to 180°, doors that can be removed or the end stop changed without tools - NOVASTAR opens up new dimensions for you.

#### INNOVATIVE QUICK-RELEASE FASTENERS.

Now you can move, stack or take smaller cabinets with you: just use the quick-release fasteners on the side panels as carrying handles.

### MAIN FEATURES.

- » 19" frame with internally positioned cladding elements
- » Simple to assemble without tools thanks to innovative quick-release fastening system
- » Door with 180° opening angle thanks to a new hinge design
- » Ingress protection to IP 40



## ACCESSORIES

- » Extensive selection of castors:
- » With integrated adjustable feet
- » Conductive
- » Various castor diameters
- » Shelves & slide rails
- » Choice of 21 colour tones
- » Heat dissipation as required

## DEMANDING. RICH IN IDEAS. POINTING TO THE FUTURE.

Castors with integrated adjustable feet make NOVASTAR mobile and assure a secure position in all locations. The NOVASTAR shelves score on three points at once: they have evolved to meet all loading requirements and their perforations offer optimal cooling of the equipment in the cabinet. Thanks to easy-to-fit slide rails, the shelves can also be safely pulled out if required. Standard depth adjustment comes included.

### NOVASTAR: FLEXIBILITY FOR YOUR APPLICATIONS.



#### HEAT DISSIPATION TO REQUIREMENTS.

Where your equipment produces higher levels of waste heat, your NOVASTAR can be cooled by means of a raised cover with or without a fan unit or via 19" fan trays.

#### COLOUR ACCORDING TO TASTE.

Frames, top cover and base elements are produced in black grey and cladding elements in light grey as standard. You can however match your NOVASTAR to your existing equipment and choose from 21 colours (single or combined).





**SERVICE PLUS.**

**RELIABLE.  
FAST.  
FLEXIBLE.**

**ServicePLUS configuration:** Construct your individual NOVASTAR from over 30 standard dimensions and wide range of accessories. And ... with a quantity from just 1 and ready for despatch within 10 working days!

**ServicePLUS assembly:** So that you can start using your new electronics cabinet as soon as possible, we can deliver your NOVASTAR fully assembled.

**ServicePLUS modification:** Do you have special requirements such as cut-outs, holes or special printing? Just order your NOVASTAR as you want it! 21 special colours are also in the programme.



- » Wide range of configuration options
- » Extensive modification options
- » 21 special colours in standard programme
- » Assembly if required
- » Delivery within 10 working days from a quantity of 1



**SCHROFF: PERFORMANCE THAT IMPRESSES.**

**SERVICE MADE TO MEASURE.**

ServicePLUS means the flexibility to create individual solutions. Competent, reliable, fast and on favourable terms. Because we want your electronics cabinet to fit perfectly into your surroundings.

**SUSTAINABILITY.**

From resource-conserving manufacture to environmentally friendly packaging for delivery, protection of the environment has the highest priority for us.

## 19" cabinet with glass door (smoke grey) and rear panel



07011010

- All uprights (front and rear) with 19" cut-outs
- Flush cladding parts
- Ingress protection class IP 20
- 2 cabinet depths (600 mm, 800 mm), cabinet width 553 mm
- Static load-carrying capacity
  - Slim-Line 200 kg (12, 16, 20 U)
  - Heavy-Duty 400 kg (38, 43 U)
- 2 colours
  - RAL 7021 (black grey) throughout
  - Colour combination: side panels, rear panel RAL 7035 (light grey); frame, top cover RAL 7021 (black grey)

# NEW

### Delivery comprises (assembled)

Item	Qty	Description
1	1	Frame, uprights Al extrusion with 19" cut-outs, Al die-cast frame, RAL 7021
2	2	Side panel, St, 1 mm; light grey (RAL 7035) or black grey (RAL 7021), see Order information; twist-locking catch (Torx T30)
3	1	Flush top cover, St, 1 mm, RAL 7021
4	1	Glazed door, single pane safety glass (ESG) 6 mm, smoke grey, with DIN cylinder safety lock and 2 keys (2233x)
5	1	Rear panel, St, 1 mm, light grey (RAL 7035) or black grey (RAL 7021), see Order information
6	4	Foot
7	1	Earthing kit

### Order Information

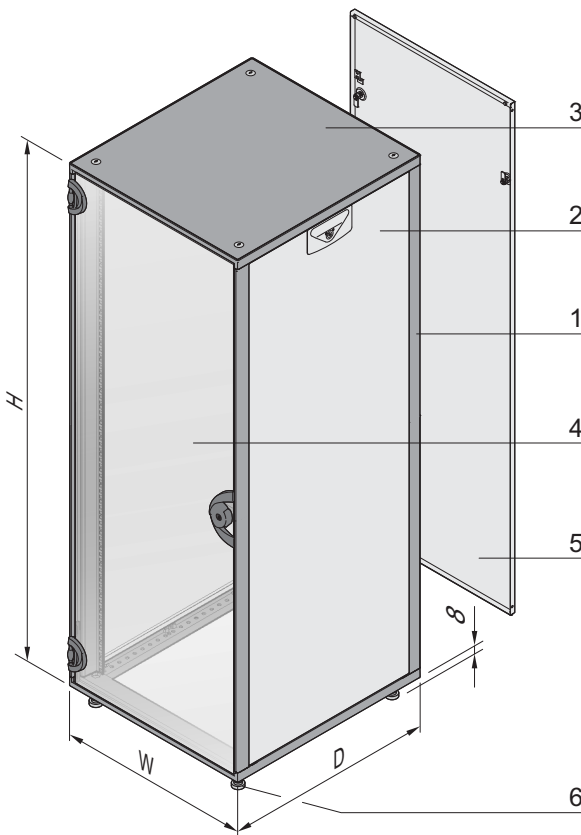
Usable height	Height H	Depth D	Width W	Colour RAL 7021	Colour RAL 7035/ RAL 7021
U	mm	mm	mm	Part no.	Part no.
<b>Slim-Line</b>					
12	589	600	553	15230-019	16230-019
16	767	600	553	15230-020	16230-020
20	945	600	553	15230-021	16230-021
<b>Heavy-Duty</b>					
38	1745	600	553	15230-022	16230-022
38	1745	800	553	15230-023	16230-023
43	1967	600	553	15230-024	16230-024
43	1967	800	553	15230-025	16230-025

### Accessories

<b>Lifting eye for flush cover</b> Thread M12, application and loading as per DIN 582, PU 4 pieces	27230-066
--	-----------

### Note

- Please order base plate, base/plinth, slide rails and shelves separately, see from page 15
- Castors, see page 15
- Other accessories/components, see ServicePLUS, from page 19
- Dimension drawings see from page 30



07011050

Front mounting plane recessed:  
Slim-Line: front 33 mm, rear 60 mm;  
Heavy-Duty: front and rear 60 mm

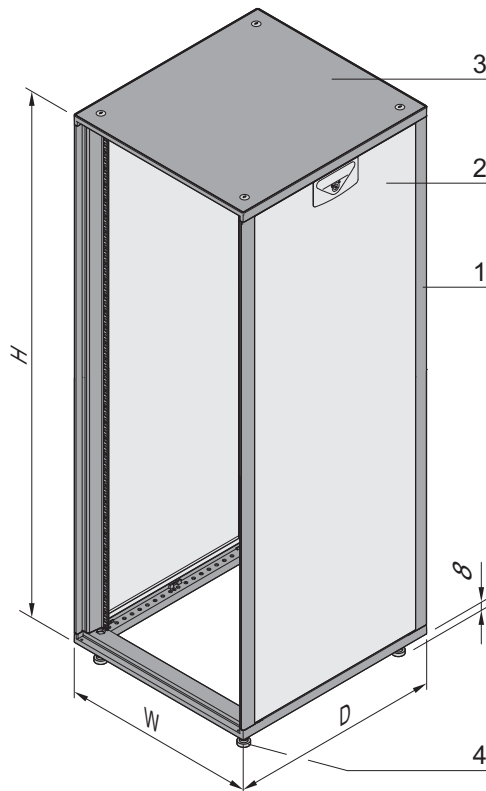


For further information [www.schroff.biz/oneclick](http://www.schroff.biz/oneclick)  
oneClick search code = Part no.

19" cabinet, door and rear panel combination freely selectable



07011013



07011051

Front mounting plane recessed:  
Slim-Line: front 33 mm, rear 60 mm;  
Heavy-Duty: front and rear 60 mm

- All uprights (front and rear) with 19" cut-outs
- Flush cladding parts
- Ingress protection class IP 20
- 3 cabinet depths (500, 600, 800 mm), cabinet width 553 mm
- Static load-carrying capacity
  - Slim-Line 200 kg (9 U to 25 U)
  - Heavy-Duty 400 kg (34 U to 47 U)
- 2 colours
  - RAL 7021 (black grey) throughout
  - Colour combination: side panels RAL 7035 (light grey); frame, top cover RAL 7021 (black grey)

**NEW**

**Delivery comprises** (assembled)

Item	Qty	Description
1	1	Frame, uprights Al extrusion with 19" cut-outs, Al die-cast frame, RAL 7021
2	2	Side panel, St, 1 mm; light grey (RAL 7035) or black grey (RAL 7021), see Order information; twist-locking catch (Torx T30)
3	1	Flush top cover, St, 1 mm, RAL 7021
4	4	Foot
5	1	Earthing kit

### Order Information

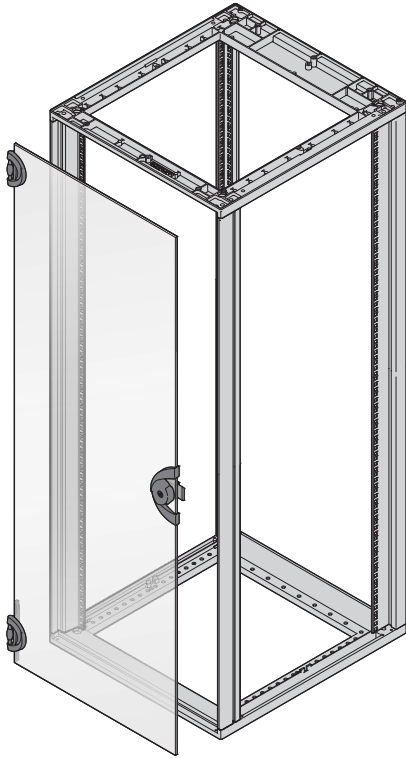
Usable height	Height H	Depth D	Width W	Colour RAL 7021	Colour RAL 7035/ RAL 7021
U	mm	mm	mm	Part no.	Part no.
<b>Slim-Line</b>					
9	456	600	553	15230-001	16230-001
12	589	500	553	15230-002	16230-002
12	589	600	553	15230-003	16230-003
16	767	500	553	15230-004	16230-004
16	767	600	553	15230-005	16230-005
20	945	500	553	15230-006	16230-006
20	945	600	553	15230-007	16230-007
20	945	800	553	15230-008	16230-008
25	1167	600	553	15230-009	16230-009
25	1167	800	553	15230-010	16230-010
<b>Heavy-Duty</b>					
34	1567	600	553	15230-011	16230-011
34	1567	800	553	15230-012	16230-012
38	1745	600	553	15230-013	16230-013
38	1745	800	553	15230-014	16230-014
43	1967	600	553	15230-015	16230-015
43	1967	800	553	15230-016	16230-016
47	2145	600	553	15230-017	16230-017
47	2145	800	553	15230-018	16230-018

### Accessories

<b>Lifting eye for flush cover</b> Thread M12, application and loading as per DIN 582, PU 4 pieces	27230-066
--	-----------

- Please order doors, rear panel, base plate, base/plinth, slide rails and shelves separately, see from page 12
- Castors, see page 15
- Other accessories/components, see ServicePLUS, from page 19
- Dimension drawings see from page 30

## Glass door (smoke grey)



- Can be assembled at front and rear
- Opening angle 180°

**NEW**

### Delivery comprises

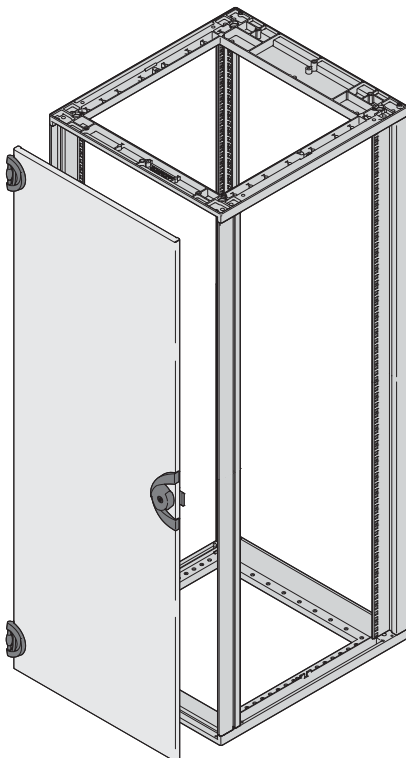
Item	Qty	Description
1	1	Glazed door, single pane safety glass (ESG) 6 mm, smoke grey; safety lock with DIN cylinder and 2 keys (2233x); hinges, plastic, black
2	1	Assembly kit

### Order Information

For cabinet height	Height	Part no.
U	mm	
9	422	27230-002
12	555	27230-003
16	733	27230-004
20	911	27230-005
25	1133	27230-006
34	1534	27230-007
38	1711	27230-008
43	1933	27230-009
47	2111	27230-010

07011059

## Steel door



- Can be assembled at front and rear
- Opening angle 180°
- Colour black grey (RAL 7021) or light grey (RAL 7035)

**NEW**

### Delivery comprises

Item	Qty	Description
1	1	Steel door, St, 1.5 mm, safety lock with DIN cylinder and 2 keys (2233x); hinges, plastic, black
2	1	Assembly kit and earthing kit

### Order Information

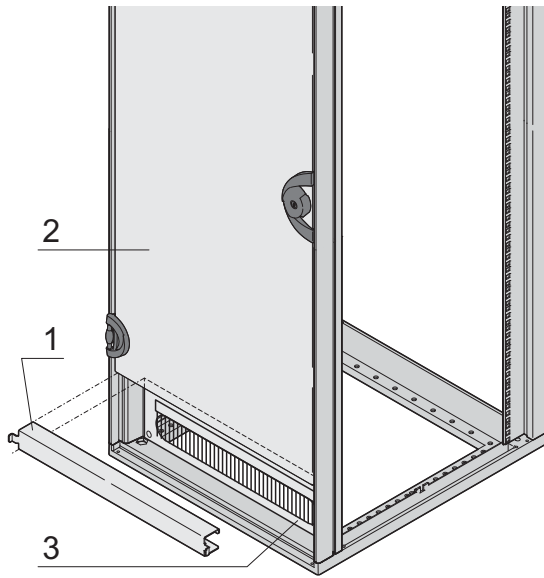
For cabinet height	Height	Colour RAL 7021 Part no.	Colour RAL 7035 Part no.
U	mm		
9	422	25230-021	26230-021
12	555	25230-022	26230-022
16	733	25230-023	26230-023
20	911	25230-024	26230-024
25	1133	25230-025	26230-025
34	1534	25230-026	26230-026
38	1711	25230-027	26230-027
43	1933	25230-028	26230-028
47	2111	25230-029	26230-029

07011060



For further information [www.schroff.biz/oneclick](http://www.schroff.biz/oneclick)  
oneClick search code = Part no.

## Cable ducting combination for steel door



- For a cable ducting combination, a steel door, a door hinge bracket and a frame for cable ducting are required
- Cable ducting can be at top or bottom
- Frame with brush strip for cable ducting is either 3 U or 4 U depending on cabinet/door height

**NEW**

### Delivery comprises

Item	Qty	Description
1	1	Door hinge bracket, St, 2 mm, RAL 7021; requires 1 U assembly space, mounts above or below steel door
2	1	Steel door, St, 1.5 mm, lock (2233x) with 2 keys, opening angle 180°, GND/earthing
3	1	Frame for cable ducting, St, 2.5 mm, with black brush strip, 3 U (for cabinet heights 16, 20, 38, 47 U) 4 U (for cabinet heights 25, 34, 43 U)

07011061

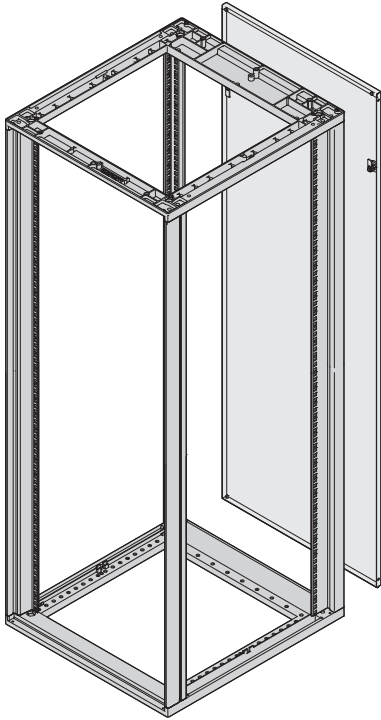
### Order Information

Cabinet dimensions Height (U)	Steel door		Door hinge bracket for doors			Cable ducting frame	
	RAL 7035	RAL 7021	Slim-Line front 33 mm	Slim-Line rear 60 mm	Heavy-Duty front/rear 60 mm	RAL 7035	RAL 7021
	St, 1.5 mm, lock (2233x) with 2 keys, opening angle 180°, incl. GND/earthing		Door hinge bracket, St, 2 mm, RAL 7021; mounts above or below the door; requires 1 U assembly space			St, 2.5 mm, with black brush strip 1) Height 3 U 2) Height 4 U	
16	26230-022	25230-022	27230-060	27230-061	27230-061	1) 20118-391	1) 20118-796
20	26230-023	25230-023	27230-060	27230-061	27230-061	1) 20118-391	1) 20118-796
25	26230-024	25230-024	27230-060	27230-061	27230-061	2) 20118-390	2) 20118-797
34	26230-030	25230-030	27230-060	27230-061	27230-061	2) 20118-390	2) 20118-797
38	26230-026	25230-026	27230-060	27230-061	27230-061	1) 20118-391	1) 20118-796
43	26230-027	25230-027	27230-060	27230-061	27230-061	2) 20118-390	2) 20118-797
47	26230-028	25230-028	27230-060	27230-061	27230-061	1) 20118-391	1) 20118-796



For further information [www.schroff.biz/oneclick](http://www.schroff.biz/oneclick)  
oneClick search code = Part no.

## Rear panel



- Twist-locking catch (Torx T30, with 1/4 turn)
- Rear panel: colour black grey (RAL 7021) or light grey (RAL 7035)

**NEW**

### Delivery comprises

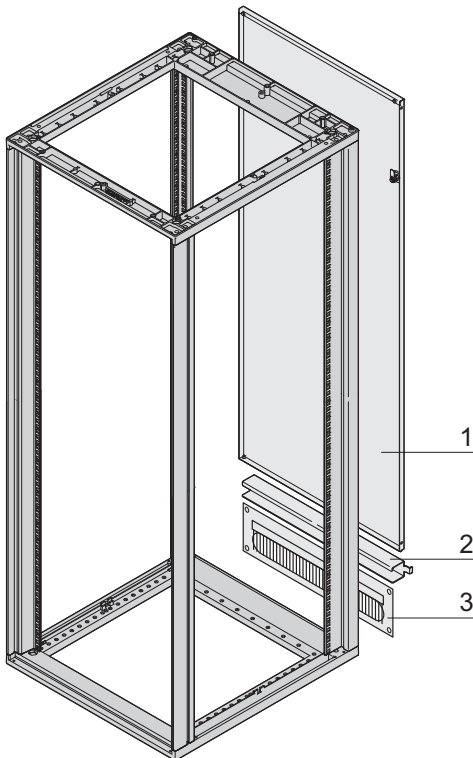
Item	Qty	Description
1	1	Rear panel, St, 1 mm, twist-locking catch (Torx T30, with 1/4 turn)
2	1	Assembly kit

### Order Information

For cabinet height	Height	Colour RAL 7021	Colour RAL 7035
U	mm	Part no.	Part no.
9	422	25230-371	26230-371
12	555	25230-372	26230-372
16	733	25230-373	26230-373
20	911	25230-374	26230-374
25	1133	25230-375	26230-375
34	1534	25230-376	26230-376
38	1711	25230-377	26230-377
43	1933	25230-378	26230-378
47	2111	25230-379	26230-379

07011057

## Rear panel with cable ducting frame



- Twist-locking catch (Torx T30, with 1/4 turn)
- Rear panel: colour black grey (RAL 7021) or light grey (RAL 7035)
- Cable ducting frame 3 or 4 U

**NEW**

### Delivery comprises

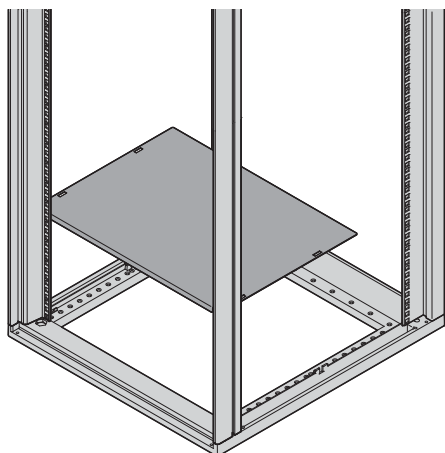
Item	Qty	Description
1	1	Rear panel, St, 1 mm, colour see Order information; twist-locking catch (Torx T30, with 1/4 turn)
2	1	Door hinge bracket, St, 2 mm, colour see Order information
3	1	Frame for cable ducting, St, 1.5 mm, colour see Order information; brush strip; 3 U frame for cable ducting for cabinet heights 16, 20, 38, 47 U; 4 U frame for cable ducting for cabinet heights 25, 34, 43 U
4	1	Assembly kit and earthing kit

### Order Information

For cabinet height	Height	For cabinet width	Colour RAL 7021	Colour RAL 7035
U	mm	mm	Part no.	Part no.
16	733	553	25230-430	26230-430
20	911	553	25230-434	26230-434
25	1133	553	25230-439	26230-439
34	1534	553	25230-448	26230-448
38	1711	553	25230-452	26230-452
43	1933	553	25230-457	26230-457
47	2111	553	25230-461	26230-461

07011058

## Base (rear open)



07011073

- Base is open at rear for cable ducting; opening can be closed with a cover plate or brush strip

# NEW

### Delivery comprises

Item	Qty	Description
1	1	Base plate, St, 1.5 mm, RAL 7021; cable through-ducting opening, width 440 mm, depth 70 mm
2	1	Assembly kit

### Order Information

For cabinet width mm	For cabinet depth mm	Part no.
553	500	27230-091
553	600	27230-092
553	800	27230-093

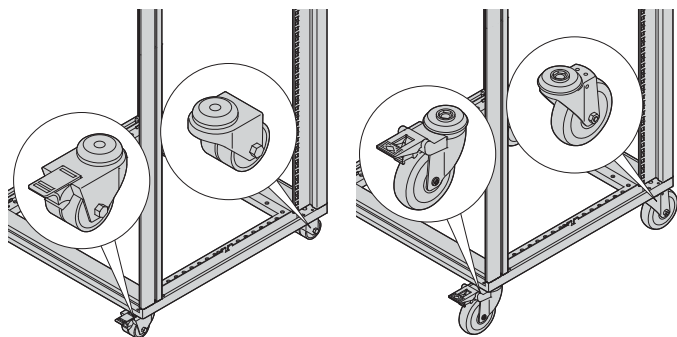
### Accessories

<b>Brush strip</b> Nylon, black, 440 mm x 98 mm, PU 1 piece	27230-079
<b>Cover plate for base</b> St, 1.5 mm, 485 mm x 92 mm, RAL 7021, PU 1 piece	27230-114



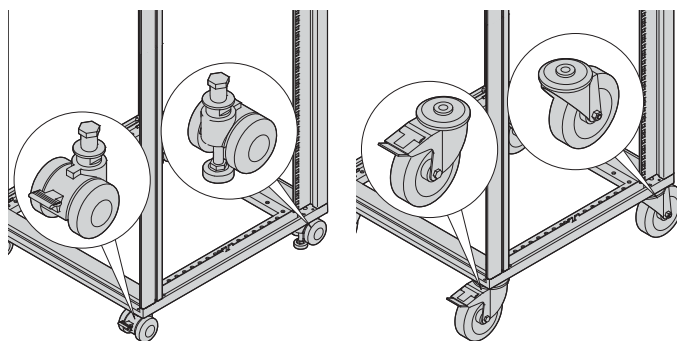
For further information [www.schroff.biz/oneclick](http://www.schroff.biz/oneclick)  
oneClick search code = Part no.

## Castors



07011065  
Load-carrying capacity 200 kg

07011066  
Load-carrying capacity 300 kg, conductive, ESD resistance < 10 kΩ



07011067  
Load-carrying capacity 400 kg, with adjustable feet

07011068  
Load-carrying capacity 400 kg

- Castors are fitted to the frame
- Static load-carrying capacity 200 kg, 300 kg or 400 kg according to version
- Height dependent on version 73 mm, 80 mm, 131 mm or 155 mm
- 2 castors without jacking foot, 2 castors with jacking foot

# NEW

### Delivery comprises

Item	Qty	Description
1	2	Locking castor, PA/St
2	2	Non-locking castor, PA/St
3	1	Assembly kit

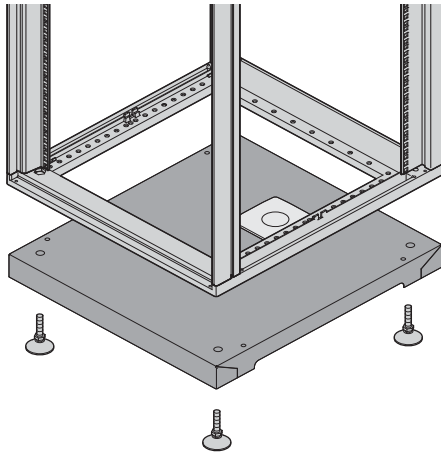
### Order Information

Description	Load-carrying capacity: kg	Height H mm	Castor diameter mm	Part no.
Castors	200	73	Ø 50	27230-067
Castors conductive, ESD in accordance with EN 12528	300	131	Ø 100	27230-110
Castors with adjustable feet	400	80	Ø 60	27230-068
Castors	400	155	Ø 125	27230-069



For further information [www.schroff.biz/oneclick](http://www.schroff.biz/oneclick)  
oneClick search code = Part no.

## Base/plinth with cable ducting



07011075

- Static load-carrying capacity 400 kg
- Height adjustable in range 57 .... 67 mm
- Cable ducting (110 x 76 mm) with cover

**NEW**

### Delivery comprises (assembled)

Item	Qty	Description
1	1	Base/plinth, St, 1.5 mm, height 55 mm, RAL 7021; cable ducting 110 mm x 76 mm, with plastic trim
2	4	Adjustable foot
3	1	Assembly kit and earthing kit

### Order Information

For cabinet width mm	For cabinet depth mm	Part no.
553	500	27230-070
553	600	27230-071
553	800	27230-072

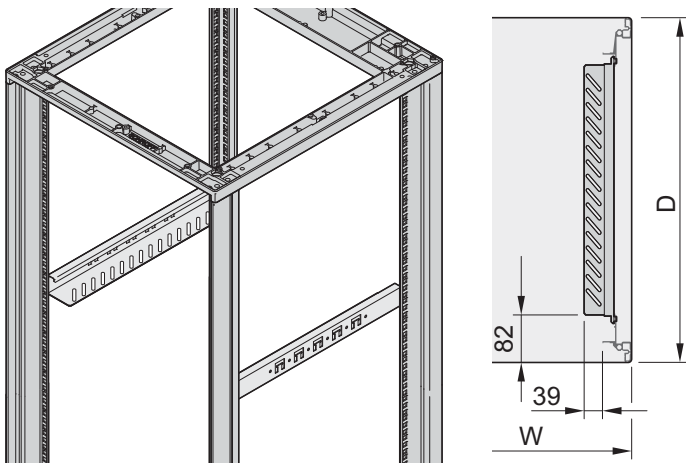
### Accessories

<b>Brush strip</b> Nylon, black, 110 mm x 76 mm; to cover cable through-ducting opening , 1 piece	27230-111
---	-----------



For further information [www.schroff.biz/oneclick](http://www.schroff.biz/oneclick)  
oneClick search code = Part no.

## Slide rail



07011078

07011104

- For mounting on the vertical cabinet uprights
- Adjustable in 1 U increments
- Static load-carrying capacity 25 kg per pair

**NEW**

### Delivery comprises

Item	Qty	Description
1	2	Slide rail, St, 1.5 mm, finish AlZn
2	1	Assembly kit

### Order Information

For cabinet depth D mm	L mm	x mm	Part no.
500	366	340	27230-102
600	466	440	27230-103
800	666	640	27230-104

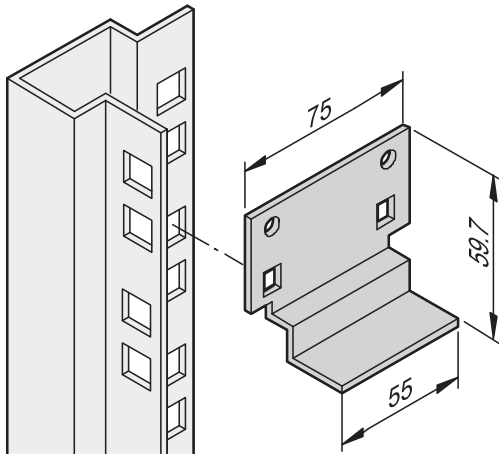


For further information [www.schroff.biz/oneclick](http://www.schroff.biz/oneclick)  
oneClick search code = Part no.

07011103



## Short slide rail



SC96XXXX

- For mounting on the vertical cabinet uprights
- Can be hung at 1 U increments
- Static load-carrying capacity 15 kg max per pair

**NEW**

### Delivery comprises

Item	Qty	Description
1	2 / 10	Short slide rail, St, 1.5 mm, finish AlZn
2	1	Assembly kit

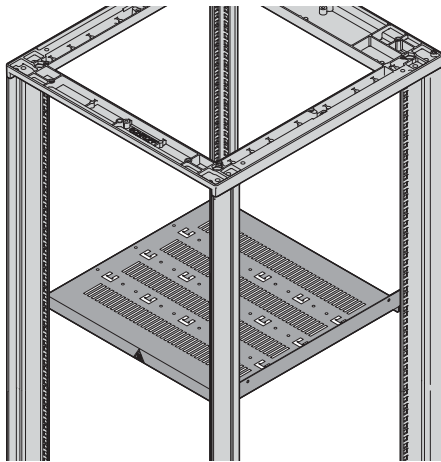
### Order Information

Description	Qty/PU	Part no.
Short slide rail	2	27230-125
Short slide rail	10	27230-126



For further information [www.schroff.biz/oneclick](http://www.schroff.biz/oneclick)  
oneClick search code = Part no.

## Shelf, stationary



07011077

- Static load-carrying capacity 75 kg
- Mounting height 1 U, for fitting on the vertical cabinet uprights
- Hammer head perforation for fixing cables using cable ties or Velcro-type tape

**NEW**

### Delivery comprises

Item	Qty	Description
1	1	Shelf with perforation, St, 1.5 mm, RAL 7021
2	1	Assembly kit

### Order Information

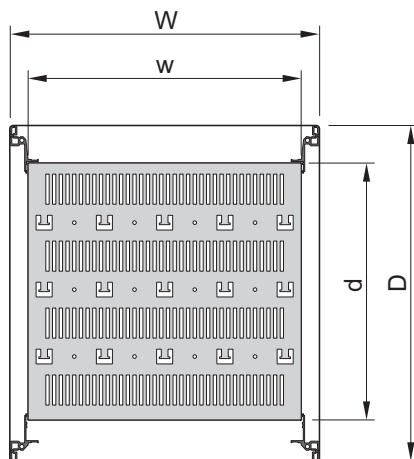
For cabinet depth D	Usable surface w x d	Part no.
mm	mm	
500	488 x 350	27230-051
600	488 x 450	27230-052
800	488 x 650	27230-053

### Accessories

<b>Cable tie</b> 92 mm x 2.5 mm, PU 25 pieces	20118-351
<b>Cable tie</b> 186 mm x 5 mm, PU 25 pieces	20118-352
<b>Cable tie</b> 360 mm x 5 mm, PU 25 pieces	20118-353
<b>Velcro strip</b> Polyethylen/Polyamide, black, length 300 mm, PU 10 pieces	20118-624



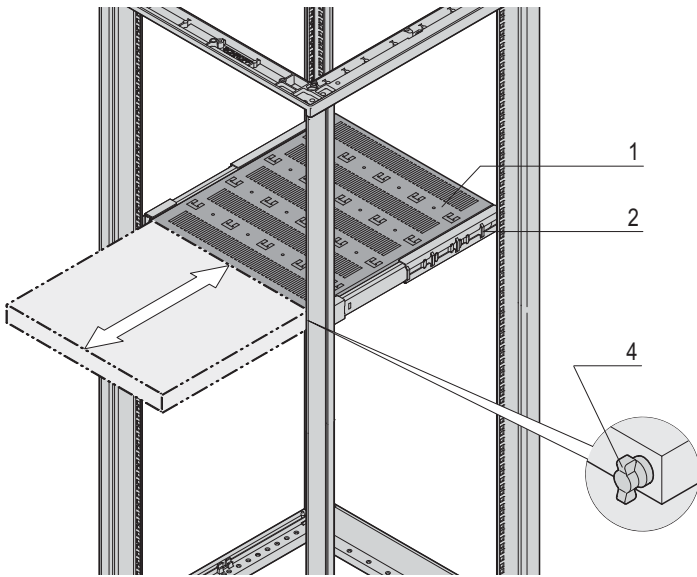
For further information [www.schroff.biz/oneclick](http://www.schroff.biz/oneclick)  
oneClick search code = Part no.



W = 553 mm

0701105

## Shelf, telescopic, 70 kg

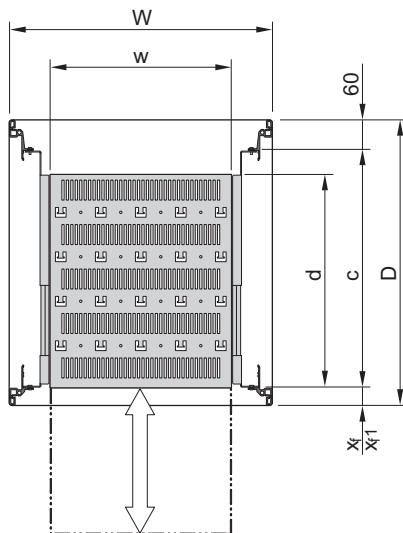


- Static load-carrying capacity at full extension 70 kg
- Mounting height 2 U, for fitting to the four vertical uprights
- Incl. telescopic slides
- Locking possible with T-bar lock
- Hammer head perforation for fixing cables using cable ties or Velcro-type tape
- 2 versions
  - Full depth
  - Depth shortened by 100 mm for rear cable ducting

### Delivery comprises

Item	Qty	Description
1	1	Shelf with perforation, St, 1.5 mm, RAL 7021
2	2	Telescopic slide
3	1	Assembly kit

### Full depth



07011089

### Order Information

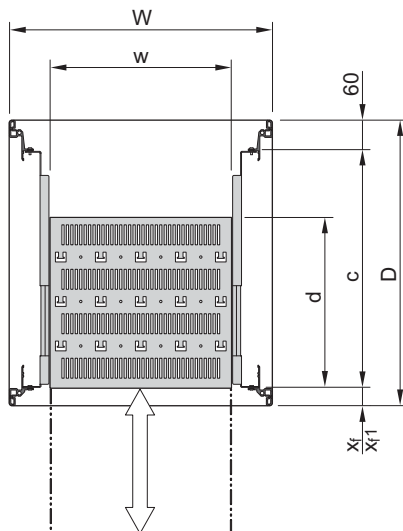
#### Full depth

Cabinet dimensions W x D	Usable surface w x d	$x_f$	$x_{f1}$	c	Full depth
mm	mm	mm	mm	mm	Part no.
553 x 500	405 x 382	33	60	407	21130-357
553 x 600	405 x 482	33	60	507	21130-353
553 x 800	405 x 682	33	60	687	21130-355

**Item 4** T-bar lock for 1 pull-out shelf (can be mounted right or left), 1 piece 23130-092

**GND/earthing for pull-out shelf PU** 1 piece 21120-189

### Recessed depth



07011101

### Order Information

#### Shortened by 100 mm

Cabinet dimensions W x D	Usable surface w x d	$x_f$	$x_{f1}$	c	Shortened by 100 mm
mm	mm	mm	mm	mm	Part no.
553 x 500	405 x 282	33	60	407	21130-358
553 x 600	405 x 382	33	60	507	21130-352
553 x 800	405 x 582	33	60	687	21130-354

**Item 4** T-bar lock for 1 pull-out shelf (can be mounted right or left), 1 piece 23130-092

**GND/earthing for pull-out shelf PU** 1 piece 21120-189

c = pitch of 19" profiles;  $x_f$  = Slim-Line assembly dimension;  
 $x_{f1}$  = Heavy-Duty assembly dimension

07011102



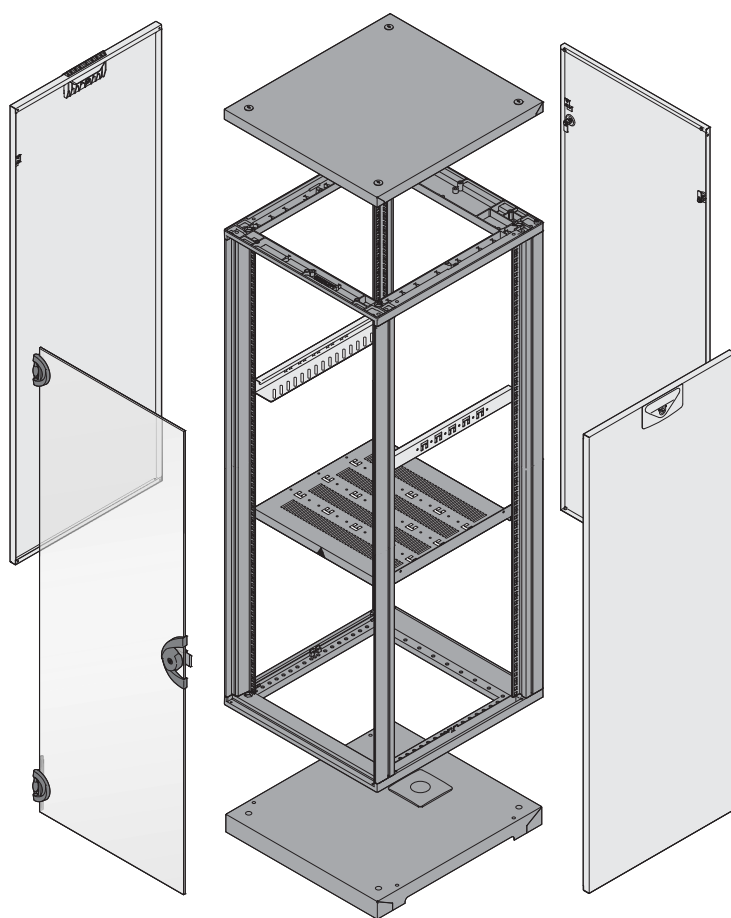
For further information [www.schroff.biz/oneclick](http://www.schroff.biz/oneclick)

oneClick search code = Part no.



## ServicePLUS: configuration and assembly

- **Dimensions:**
  - Height: 6 ... 47 U (357 ... 2145 mm)
  - Width: 553 mm
  - Depth: 500, 600, 800 mm
- **2 frame versions:**
  - Slim-Line, static load-carrying capacity 200 kg, height 6 ... 47 U
  - Heavy-Duty, static load-carrying capacity 400 kg, height 16 ... 47 U
- **Configure your cabinet from individual parts**  
(to have them assembled please add the suffix **/05** to each part number)
- **After you have selected your cabinet dimensions, the row number (first column of the configuration tables) guides you through all the pages of the configurations possible for these dimensions (see example below)**
- **The configured cabinet is assembled and is ready for dispatch within 10 working days**



07011052

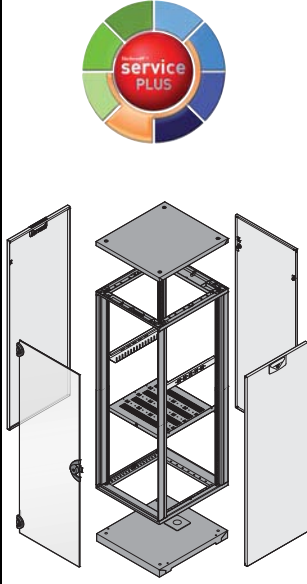
### Configuration example, assembled (here: row no. 11)

Qty	Description	Order no.
1	Frame, Slim-Line, usable height 20 U, height 945 mm, width 553 mm, depth 500 mm, 1 piece	28230-015/05
1	Side panel, Slim-Line, height 20 U, depth 500 mm, RAL 7035, PU 2 pieces	26230-074/05
1	Glass door (smoke grey), height 20 U, opening angle 180°, width 553 mm, 1 piece	27230-005/05
1	Rear panel, height 20 U, width 553 mm, RAL 7035, PU 1 piece	26230-374/05
1	Top cover, raised, width 553 mm, depth 500 mm, RAL 7021, 1 piece	25230-010/05
..	.....	.....

	Page
Frames, castors, adjustable feet	20
Side-to-side mounting kits, stacking kits, side panels	21
Glass doors, steel doors	22
Cable ducting combination for steel doors	23
Rear panels	24
Top covers	25
Fan top covers, lifting eyes	26
Bases, plinths, stationary shelves	27
Shelves	28
Slide rails, cable ties, Velcro-type tapes	29
Dimension drawings Slim-Line frames	30
Dimension drawings Heavy-Duty frames	31

## Frames, castors, adjustable feet

### Order Information

					Frame		Castors				Adjustable foot
					Slim-Line 200 kg	Heavy-Duty 400 kg	Load-carrying capacity 200 kg	Load-carrying capacity 300 kg, conductive	Load-carrying capacity 400 kg, Ø 60 mm	Load-carrying capacity 400 kg, Ø 125 mm	
Cabinet dimensions											
No.	Height U	Width mm	Depth mm		1 piece assembled	1 piece assembled	PU 1 kit assembled	PU 1 kit assembled	PU 1 kit assembled	PU 1 kit assembled	assembled
1	6	357	553	500	28230-001	-	27230-067	27230-110	27230-068	27230-069	27230-100
2	6	357	553	600	28230-060	-					
3	9	456	553	500	28230-004	-	27230-067	27230-110	27230-068	27230-069	27230-100
4	9	456	553	600	28230-063	-					
5	12	589	553	500	28230-007	-	27230-067	27230-110	27230-068	27230-069	27230-100
6	12	589	553	600	28230-066	-					
7	12	589	553	800	28230-126	-					
8	16	767	553	500	28230-011	28230-310					
9	16	767	553	600	28230-070	28230-370	27230-067	27230-110	27230-068	27230-069	27230-100
10	16	767	553	800	28230-130	28230-430					
11	20	945	553	500	28230-015	28230-314					
12	20	945	553	600	28230-074	28230-374	27230-067	27230-110	27230-068	27230-069	27230-100
13	20	945	553	800	28230-134	28230-434					
14	25	1167	553	500	28230-020	28230-319					
15	25	1167	553	600	28230-079	28230-379	27230-067	27230-110	27230-068	27230-069	27230-100
16	25	1167	553	800	28230-139	28230-439					
17	34	1567	553	500	28230-029	28230-328					
18	34	1567	553	600	28230-088	28230-388	27230-067	27230-110	27230-068	27230-069	27230-100
19	34	1567	553	800	28230-148	28230-448					
20	38	1745	553	500	28230-033	28230-332					
21	38	1745	553	600	28230-092	28230-392	27230-067	27230-110	27230-068	27230-069	27230-100
22	38	1745	553	800	28230-152	28230-452					
23	43	1967	553	500	28230-048	28230-337					
24	43	1967	553	600	28230-097	28230-397	27230-067	27230-110	27230-068	27230-069	27230-100
25	43	1967	553	800	28230-157	28230-457					
26	47	2145	553	500	28230-042	28230-341					
27	47	2145	553	600	28230-101	28230-401	27230-067	27230-110	27230-068	27230-069	27230-100
28	47	2145	553	800	28230-162	28230-461					

Frame dimensions, see page 30


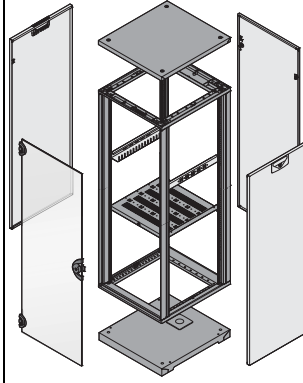
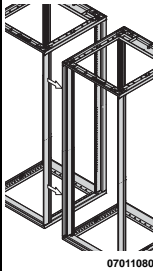
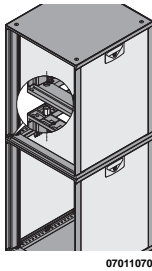
If you would like to have the individual components of your configured ServicePLUS cabinet fitted, please add the suffix /05 to the order number



Further information [www.schroff.biz/oneclick](http://www.schroff.biz/oneclick) oneClick code = order number

## Side-to-side mounting kits, stacking kits, side panels

### Order Information

  <b>Cabinet dimensions</b> Height Width Depth U mm mm mm					Side-by-side mounting kit		Stacking kit		Side panel				Side panel lock
					 07011080 Gasketing, foam adhesive tape: PU foam anthracite; for joining two adjacent cabinets		 07011070 for joining two cabinets positioned one above the other		Slim-Line		Heavy-Duty		
No.	U	mm	mm	mm	PU 1 kit enclosed	PU 1 kit loose	RAL 7035 PU 2 pieces assembled	RAL 7021 PU 2 pieces assembled	RAL 7035 PU 2 pieces assembled	RAL 7021 PU 2 pieces assembled	PU 1 kit assembled		
1	6	357	553	500	20230-409	27230-112	26230-070	25230-070	-	-	27230-115		
2	6	357	553	600			26230-120	25230-120					
3	9	456	553	500	20230-409	27230-112	26230-071	25230-071	-	-	27230-115		
4	9	456	553	600			26230-121	25230-121					
5	12	589	553	500	20230-409	27230-112	26230-072	25230-072	-	-	27230-115		
6	12	589	553	600			26230-122	25230-122					
7	12	589	553	800			26230-172	25230-172					
8	16	767	553	500	20230-409	27230-112	26230-073	25230-073	26230-223	25230-223	27230-115		
9	16	767	553	600			26230-123	25230-123	26230-273	25230-273			
10	16	767	553	800			26230-173	25230-173	26230-323	25230-323			
11	20	945	553	500	20230-409	27230-112	26230-074	25230-074	26230-224	25230-224	27230-115		
12	20	945	553	600			26230-124	25230-124	26230-274	25230-274			
13	20	945	553	800			26230-174	25230-174	26230-324	25230-324			
14	25	1167	553	500	20230-409	27230-112	26230-075	25230-075	26230-225	25230-225	27230-115		
15	25	1167	553	600			26230-125	25230-125	26230-275	25230-275			
16	25	1167	553	800			26230-175	25230-175	26230-325	25230-325			
17	34	1567	553	500	20230-409	27230-112	26230-076	25230-076	26230-226	25230-226	27230-115		
18	34	1567	553	600			26230-126	25230-126	26230-276	25230-276			
19	34	1567	553	800			26230-176	25230-176	26230-326	25230-326			
20	38	1745	553	500	20230-409	27230-112	26230-077	25230-077	26230-227	25230-227	27230-115		
21	38	1745	553	600			26230-127	25230-127	26230-277	25230-277			
22	38	1745	553	800			26230-177	25230-177	26230-327	25230-327			
23	43	1967	553	500	20230-409	27230-112	26230-078	25230-078	26230-228	25230-228	27230-115		
24	43	1967	553	600			26230-128	25230-128	26230-278	25230-278			
25	43	1967	553	800			26230-178	25230-178	26230-328	25230-328			
26	47	2145	553	500	20230-409	27230-112	26230-079	25230-079	26230-229	25230-229	27230-115		
27	47	2145	553	600			26230-129	25230-129	26230-279	25230-279			
28	47	2145	553	800			26230-179	25230-179	26230-329	25230-329			

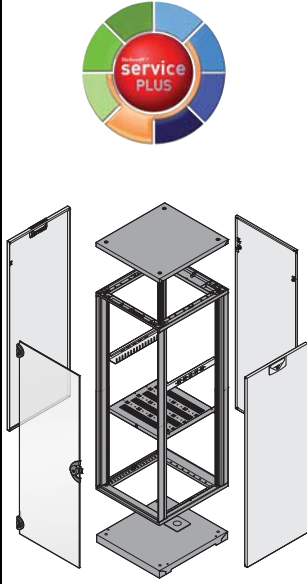
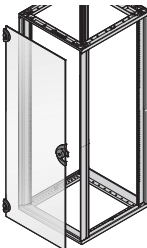
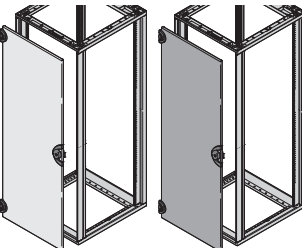
If you would like to have the individual components of your configured ServicePLUS cabinet fitted, please add the suffix /05 to the order number; please add the suffix /35 for kits supplied loose



Further information [www.schroff.biz/oneclick](http://www.schroff.biz/oneclick) oneClick code = order number

## Glass doors, steel doors

### Order Information

				Glass door (smoke grey)	Steel door		
				 07011059 Opening angle 180°, lock with 2 keys, glass type: ESG 6 mm, EN 12150	 07011060      07011088 St, 1.5 mm, lock (2233x) with 2 keys, opening angle 180°, incl. GND/earthing		
						smoke grey 1 piece assembled	RAL 7035 1 piece assembled
No.	Cabinet dimensions						
	Height U	Width mm	Depth mm				
1	6	357	553	500	<b>27230-001</b>	<b>26230-020</b>	<b>25230-020</b>
2	6	357	553	600			
3	9	456	553	500	<b>27230-002</b>	<b>26230-021</b>	<b>25230-021</b>
4	9	456	553	600			
5	12	589	553	500	<b>27230-003</b>	<b>26230-022</b>	<b>25230-022</b>
6	12	589	553	600			
7	12	589	553	800			
8	16	767	553	500	<b>27230-004</b>	<b>26230-023</b>	<b>25230-023</b>
9	16	767	553	600			
10	16	767	553	800			
11	20	945	553	500	<b>27230-005</b>	<b>26230-024</b>	<b>25230-024</b>
12	20	945	553	600			
13	20	945	553	800			
14	25	1167	553	500	<b>27230-006</b>	<b>26230-025</b>	<b>25230-025</b>
15	25	1167	553	600			
16	25	1167	553	800			
17	34	1567	553	500	<b>27230-007</b>	<b>26230-026</b>	<b>25230-026</b>
18	34	1567	553	600			
19	34	1567	553	800			
20	38	1745	553	500	<b>27230-008</b>	<b>26230-027</b>	<b>25230-027</b>
21	38	1745	553	600			
22	38	1745	553	800			
23	43	1967	553	500	<b>27230-009</b>	<b>26230-028</b>	<b>25230-028</b>
24	43	1967	553	600			
25	43	1967	553	800			
26	47	2145	553	500	<b>27230-010</b>	<b>26230-029</b>	<b>25230-028</b>
27	47	2145	553	600			
28	47	2145	553	800			

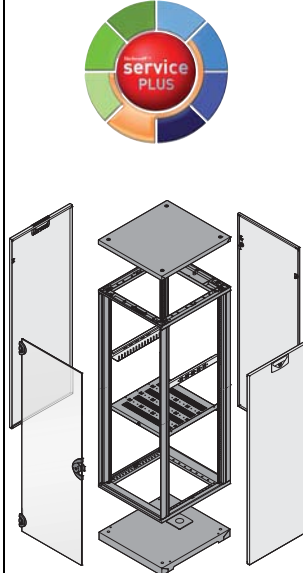
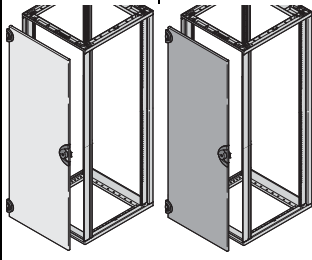
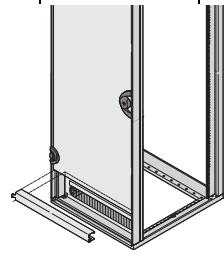
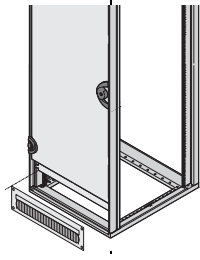
If you would like to have the individual components of your configured ServicePLUS cabinet fitted, please add the suffix /05 to the order number



Further information [www.schroff.biz/oneclick](http://www.schroff.biz/oneclick) oneClick code = order number

## Cable ducting combination for steel doors

### Order Information

					Cable ducting combination for steel door with door hinge bracket and frame						
					Steel door		Door hinge bracket for doors			Cable ducting frame	
					RAL 7035	RAL 7021	Slim-Line front	Slim-Line rear	Heavy-Duty front/rear	RAL 7035	RAL 7021
											
					St, 1.5 mm, lock (2233x) with 2 keys, opening angle 180°, incl. GND/earthing		Door hinge bracket, St, 2 mm, RAL 7021; mounts above or below the door; requires 1 U assembly space			St, 2.5 mm, with black brush strip 1) Height 3 U    2) Height 4 U	
Cabinet dimensions					RAL 7035	<b>RAL 7021</b>	33 mm	60 mm	60 mm	RAL 7035	<b>RAL 7021</b>
No.	U	Height mm	Width mm	Depth mm	1 piece assembled	1 piece assembled	1 piece assembled	1 piece assembled	1 piece assembled	1 piece assembled	1 piece assembled
1	6	357	553	500	-	-	-	-	-	-	-
2	6	357	553	600	-	-	-	-	-	-	-
3	9	456	553	500	-	-	-	-	-	-	-
4	9	456	553	600	-	-	-	-	-	-	-
5	12	589	553	500	-	-	-	-	-	-	-
6	12	589	553	600	-	-	-	-	-	-	-
7	12	589	553	800	-	-	-	-	-	-	-
8	16	767	553	500	-	-	-	-	-	-	-
9	16	767	553	600	26230-022	25230-022	27230-060	27230-061	27230-061	1) 20118-391	1) 20118-796
10	16	767	553	800	-	-	-	-	-	-	-
11	20	945	553	500	-	-	-	-	-	-	-
12	20	945	553	600	26230-023	25230-023	27230-060	27230-061	27230-061	1) 20118-391	1) 20118-796
13	20	945	553	800	-	-	-	-	-	-	-
14	25	1167	553	500	-	-	-	-	-	-	-
15	25	1167	553	600	26230-024	25230-024	27230-060	27230-061	27230-061	2) 20118-390	2) 20118-797
16	25	1167	553	800	-	-	-	-	-	-	-
17	34	1567	553	500	-	-	-	-	-	-	-
18	34	1567	553	600	26230-030	25230-030	27230-060	27230-061	27230-061	2) 20118-390	2) 20118-797
19	34	1567	553	800	-	-	-	-	-	-	-
20	38	1745	553	500	-	-	-	-	-	-	-
21	38	1745	553	600	26230-026	25230-026	27230-060	27230-061	27230-061	1) 20118-391	1) 20118-796
22	38	1745	553	800	-	-	-	-	-	-	-
23	43	1967	553	500	-	-	-	-	-	-	-
24	43	1967	553	600	26230-027	25230-027	27230-060	27230-061	27230-061	2) 20118-390	2) 20118-797
25	43	1967	553	800	-	-	-	-	-	-	-
26	47	2145	553	500	-	-	-	-	-	-	-
27	47	2145	553	600	26230-028	25230-028	27230-060	27230-061	27230-061	1) 20118-391	1) 20118-796
28	47	2145	553	800	-	-	-	-	-	-	-

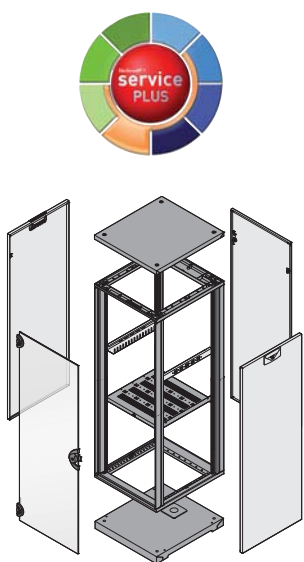
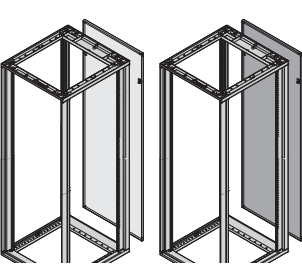
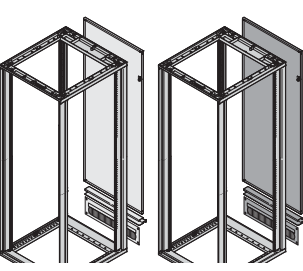
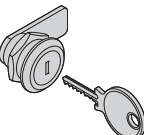
If you would like to have the individual components of your configured ServicePLUS cabinet fitted, please add the suffix /05 to the order number



Further information [www.schroff.biz/oneclick](http://www.schroff.biz/oneclick) oneClick code = order number

## Rear panels

### Order Information

				Rear panel		Rear panel with cable ducting and door hinge bracket		Rear panel lock	
									
				St, 1 mm; twist-locking catch (Torx T30, with 1/4 turn); incl. GND/earthing		St, 1 mm; twist-locking catch (Torx T30, with 1/4 turn), incl. GND/earthing; cable ducting and door hinge bracket; cable ducting can be fitted top or bottom, 3 U cable ducting for cabinet heights 16, 20, 38, 47 U; 4 U cable ducting for cabinet heights 25, 34, 43 U		Rear panel twist-locking catch with lock (2233x) and key	
Cabinet dimensions				RAL 7035	RAL 7021	RAL 7035	RAL 7021		
No.	U	Height mm	Width mm	Depth mm	1 piece assembled	1 piece assembled	PU 1 kit assembled	PU 1 kit assembled	PU 2 pieces assembled
1	6	357	553	500	26230-370	25230-370	-	-	27230-116
2	6	357	553	600					
3	9	456	553	500	26230-371	25230-371	-	-	27230-116
4	9	456	553	600					
5	12	589	553	500					
6	12	589	553	600	26230-372	25230-372	-	-	27230-116
7	12	589	553	800					
8	16	767	553	500					
9	16	767	553	600	26230-373	25230-373	26230-430	25230-430	27230-116
10	16	767	553	800					
11	20	945	553	500					
12	20	945	553	600	26230-374	25230-374	26230-434	25230-434	27230-116
13	20	945	553	800					
14	25	1167	553	500					
15	25	1167	553	600	26230-375	25230-375	26230-439	25230-439	27230-116
16	25	1167	553	800					
17	34	1567	553	500					
18	34	1567	553	600	26230-376	25230-376	26230-448	25230-448	27230-116
19	34	1567	553	800					
20	38	1745	553	500					
21	38	1745	553	600	26230-377	25230-377	26230-452	25230-452	27230-116
22	38	1745	553	800					
23	43	1967	553	500					
24	43	1967	553	600	26230-378	25230-378	26230-457	25230-457	27230-116
25	43	1967	553	800					
26	47	2145	553	500					
27	47	2145	553	600	26230-379	25230-379	26230-461	25230-461	27230-116
28	47	2145	553	800					

If you would like to have the individual components of your configured ServicePLUS cabinet fitted, please add the suffix /05 to the order number

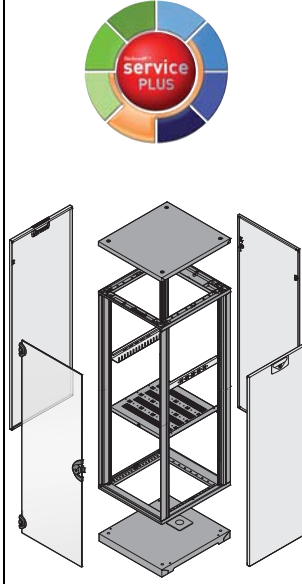
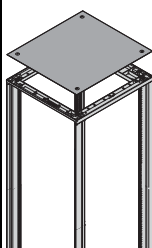
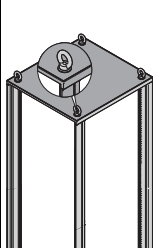
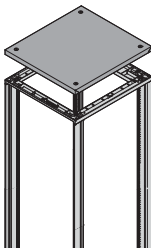
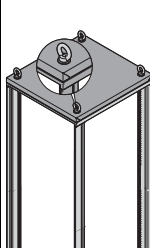


Further information [www.schroff.biz/oneclick](http://www.schroff.biz/oneclick) oneClick code = order number



## Top covers

### Order Information

					Top cover		Top cover	
					Flush	Lifting eye	Raised	Lifting eye
					 07011063 St, 1 mm, RAL 7021, incl. GND/earthing	 07011071 for flush cover; M12, application and loading as per DIN 582	 07011064 St, 1 mm, RAL 7021, incl. GND/earthing, height 31 mm, air gap 10 mm	 07011072 for raised cover or fan top cover; M12, application and loading as per DIN 582
					1 piece assembled	PU 4 pieces assembled	1 piece assembled	PU 4 pieces assembled
No.	Height U	Width mm	Depth mm					
1	6	357	553	500	25230-001	27230-066	25230-010	27230-065
2	6	357	553	600	25230-002		25230-011	
3	9	456	553	500	25230-001	27230-066	25230-010	27230-065
4	9	456	553	600	25230-002		25230-011	
5	12	589	553	500	25230-001		25230-010	
6	12	589	553	600	25230-002	27230-066	25230-011	27230-065
7	12	589	553	800	25230-003		25230-012	
8	16	767	553	500	25230-001		25230-010	
9	16	767	553	600	25230-002	27230-066	25230-011	27230-065
10	16	767	553	800	25230-003		25230-012	
11	20	945	553	500	25230-001		25230-010	
12	20	945	553	600	25230-002	27230-066	25230-011	27230-065
13	20	945	553	800	25230-003		25230-012	
14	25	1167	553	500	25230-001		25230-010	
15	25	1167	553	600	25230-002	27230-066	25230-011	27230-065
16	25	1167	553	800	25230-003		25230-012	
17	34	1567	553	500	25230-001		25230-010	
18	34	1567	553	600	25230-002	27230-066	25230-011	27230-065
19	34	1567	553	800	25230-003		25230-012	
20	38	1745	553	500	25230-001		25230-010	
21	38	1745	553	600	25230-002	27230-066	25230-011	27230-065
22	38	1745	553	800	25230-003		25230-012	
23	43	1967	553	500	25230-001		25230-010	
24	43	1967	553	600	25230-002	27230-066	25230-011	27230-065
25	43	1967	553	800	25230-003		25230-012	
26	47	2145	553	500	25230-001		25230-010	
27	47	2145	553	600	25230-002	27230-066	25230-011	27230-065
28	47	2145	553	800	25230-003		25230-012	

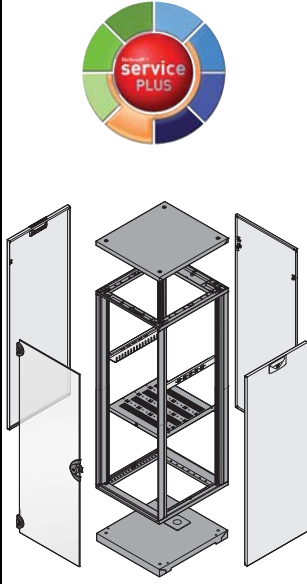
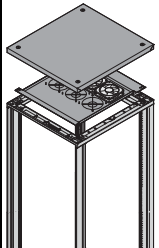
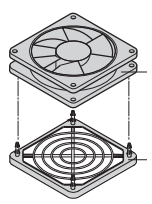
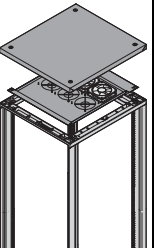
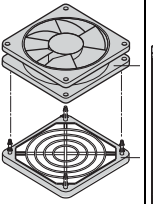
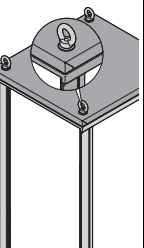
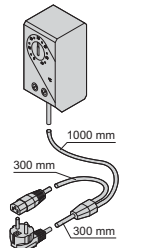
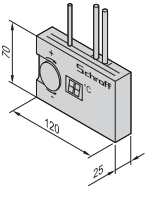
If you would like to have the individual components of your configured ServicePLUS cabinet fitted, please add the suffix /05 to the order number



Further information [www.schroff.biz/oneclick](http://www.schroff.biz/oneclick) oneClick code = order number

## Fan top covers, lifting eyes

### Order Information

					Fan top cover (fan H=25 mm)		Fan top cover (fan H=38 mm)		Lifting eye	Thermostat	Speed control
					Fan top cover with fans	Fan 84 ... 90 m <sup>3</sup>	Fan top cover with fans	Fan 162 ... 172 m <sup>3</sup>			
					 07011082	 kta44844	 07011082	 kta44844	 07011072	 01108052	 01105055
					St, RAL 7021, incl. GND/earthing and cabling; 2 fans for 500 mm depth, 1 cover cap; 3 fans for 600/800 mm depth, 3 cover caps; connection 0.5 m, IEC C14 plug	Axial fan with protective grille, 230 V <sub>AC</sub> , 8 W, 84 ... 90 m <sup>3</sup> /h 29 ... 30 dB(A), height 25 mm; when additional fans are required	St, RAL 7021, incl. GND/earthing and cabling; 2 fans for 500 mm depth, 1 cover cap; 3 fans for 600/800 mm depth, 3 cover caps; connection 0.5 m, IEC C14 plug	Axial fan with protective grille, 230 V <sub>AC</sub> , 15 W, 162 ... 172 m <sup>3</sup> /h 37 ... 41 dB(A), height 38 mm; when additional fans are required	for raised cover or fan top cover; M12, application and loading as per DIN 582	wired with mains cable 230 V <sub>AC</sub> (SCHUKO/UTE plug/ IEC 60320 C13 socket), adjustment range 0 ... 60°C	completely wired, 90 ... 264 V <sub>AC</sub> , input SCHUKO/UTE plug, output IEC 60320 C13 socket; external NTC sensor, 1.5 m
<b>Cabinet dimensions</b>					<b>PU 1 kit assembled</b>	<b>1 piece assembled</b>	<b>PU 1 kit assembled</b>	<b>1 piece assembled</b>	<b>PU 4 pieces assembled</b>	<b>1 piece assembled</b>	<b>1 piece assembled</b>
No.	Height U	Width mm	Depth mm								
1	6	357	553	500	27230-081	27230-077	27230-085	27230-078	27230-065	20118-750	60715-005
2	6	357	553	600	27230-082		27230-086				
3	9	456	553	500	27230-081	27230-077	27230-085	27230-078	27230-065	20118-750	60715-005
4	9	456	553	600	27230-082		27230-086				
5	12	589	553	500	27230-081		27230-085				
6	12	589	553	600	27230-082	27230-077	27230-086	27230-078	27230-065	20118-750	60715-005
7	12	589	553	800	27230-083		27230-087				
8	16	767	553	500	27230-081		27230-085				
9	16	767	553	600	27230-082	27230-077	27230-086	27230-078	27230-065	20118-750	60715-005
10	16	767	553	800	27230-083		27230-087				
11	20	945	553	500	27230-081		27230-085				
12	20	945	553	600	27230-082	27230-077	27230-086	27230-078	27230-065	20118-750	60715-005
13	20	945	553	800	27230-083		27230-087				
14	25	1167	553	500	27230-081		27230-085				
15	25	1167	553	600	27230-082	27230-077	27230-086	27230-078	27230-065	20118-750	60715-005
16	25	1167	553	800	27230-083		27230-087				
17	34	1567	553	500	27230-081		27230-085				
18	34	1567	553	600	27230-082	27230-077	27230-086	27230-078	27230-065	20118-750	60715-005
19	34	1567	553	800	27230-083		27230-087				
20	38	1745	553	500	27230-081		27230-085				
21	38	1745	553	600	27230-082	27230-077	27230-086	27230-078	27230-065	20118-750	60715-005
22	38	1745	553	800	27230-083		27230-087				
23	43	1967	553	500	27230-081		27230-085				
24	43	1967	553	600	27230-082	27230-077	27230-086	27230-078	27230-065	20118-750	60715-005
25	43	1967	553	800	27230-083		27230-087				
26	47	2145	553	500	27230-081		27230-085				
27	47	2145	553	600	27230-082	27230-077	27230-086	27230-078	27230-065	20118-750	60715-005
28	47	2145	553	800	27230-083		27230-087				

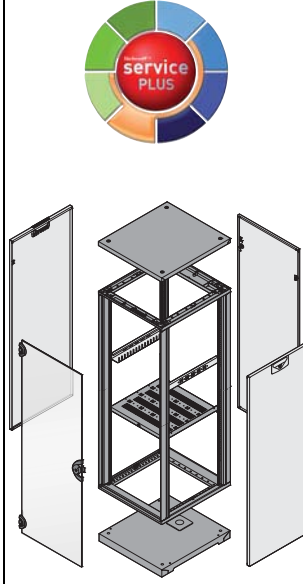
If you would like to have the individual components of your configured ServicePLUS cabinet fitted, please add the suffix /05 to the order number



Further information [www.schroff.biz/oneclick](http://www.schroff.biz/oneclick) oneClick code = order number

## Bases, plinths, stationary shelves

### Order Information

					Base			Base/plinth		Shelf, stationary	
					Base plate, rear open	Cover plate	Brush strip	with cable ducting	Brush strip		
					07011073	07011073	07011073	07011073	07011073	07011077	07011077
					St, 1.5 mm, RAL 7021, incl. GND/earthing; cable ducting in rear cabinet area; please order cover or brush strip separately	St, 1.5 mm, 485 x 92 mm; for covering the rear floor opening	Nylon, black, 440 x 98 mm; for covering the rear floor opening	St, 1.5 mm, RAL 7021, height 55 mm; incl. GND/earthing; cable ducting 110 x 76 mm; adjustable feet, adjustable height range 57 mm ... 67 mm	Nylon, black, 110 mm x 76 mm; to cover cable through-ducting opening	St, 1.5 mm, RAL 7021, with perforation, static load-carrying capacity 75 kg	
Cabinet dimensions					1 piece assembled	1 piece assembled	1 piece assembled	1 piece assembled	1 piece assembled	1 piece assembled	
No.	Height U	Width mm	Depth mm								
1	6	357	553	500	27230-091	27230-114	27230-079	27230-070	27230-111	27230-051	
2	6	357	553	600	27230-092			27230-071		27230-052	
3	9	456	553	500	27230-091	27230-114	27230-079	27230-070	27230-111	27230-051	
4	9	456	553	600	27230-092			27230-071		27230-052	
5	12	589	553	500	27230-091			27230-070		27230-051	
6	12	589	553	600	27230-092	27230-114	27230-079	27230-071	27230-111	27230-052	
7	12	589	553	800	27230-093			27230-072		27230-053	
8	16	767	553	500	27230-091			27230-070		27230-051	
9	16	767	553	600	27230-092	27230-114	27230-079	27230-071	27230-111	27230-052	
10	16	767	553	800	27230-093			27230-072		27230-053	
11	20	945	553	500	27230-091			27230-070		27230-051	
12	20	945	553	600	27230-092	27230-114	27230-079	27230-071	27230-111	27230-052	
13	20	945	553	800	27230-093			27230-072		27230-053	
14	25	1167	553	500	27230-091			27230-070		27230-051	
15	25	1167	553	600	27230-092	27230-114	27230-079	27230-071	27230-111	27230-052	
16	25	1167	553	800	27230-093			27230-072		27230-053	
17	34	1567	553	500	27230-091			27230-070		27230-051	
18	34	1567	553	600	27230-092	27230-114	27230-079	27230-071	27230-111	27230-052	
19	34	1567	553	800	27230-093			27230-072		27230-053	
20	38	1745	553	500	27230-091			27230-070		27230-051	
21	38	1745	553	600	27230-092	27230-114	27230-079	27230-071	27230-111	27230-052	
22	38	1745	553	800	27230-093			27230-072		27230-053	
23	43	1967	553	500	27230-091			27230-070		27230-051	
24	43	1967	553	600	27230-092	27230-114	27230-079	27230-071	27230-111	27230-052	
25	43	1967	553	800	27230-093			27230-072		27230-053	
26	47	2145	553	500	27230-091			27230-070		27230-051	
27	47	2145	553	600	27230-092	27230-114	27230-079	27230-071	27230-111	27230-052	
28	47	2145	553	800	27230-093			27230-072		27230-053	

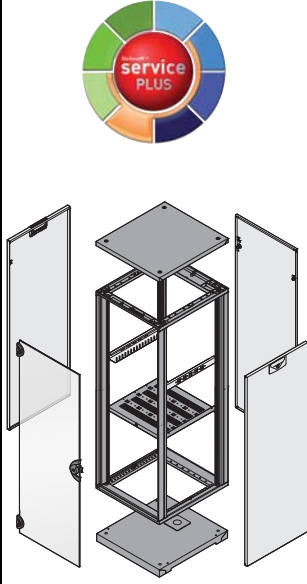
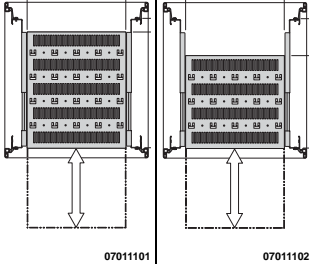
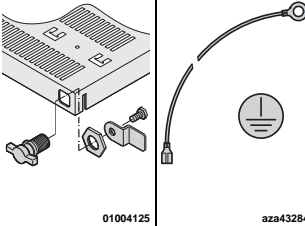
If you would like to have the individual components of your configured ServicePLUS cabinet fitted, please add the suffix /05 to the order number



Further information [www.schroff.biz/oneclick](http://www.schroff.biz/oneclick) oneClick code = order number

## Shelves

### Order Information

					Shelf, telescopic, 2 U, 70 kg			
					Full depth	Shortened by 100 mm	T-bar lock	GND/earthing
								
					St, 1.5 mm, RAL 7021, static load-carrying capacity when fully extended 70 kg, incl. telescopic slide; please order T-bar lock and earthing kit separately		to lock the telescopic shelf	
Cabinet dimensions					1 piece assembled	1 piece assembled	1 piece assembled	PU 1 kit assembled
No.	U	Height mm	Width mm	Depth mm				
1	6	357	553	500	21130-357	21130-358	23130-092	21120-189
2	6	357	553	600	21130-353	21130-352		
3	9	456	553	500	21130-357	21130-358	23130-092	21120-189
4	9	456	553	600	21130-353	21130-352		
5	12	589	553	500	21130-357	21130-358		
6	12	589	553	600	21130-353	21130-352	23130-092	21120-189
7	12	589	553	800	21130-355	21130-354		
8	16	767	553	500	21130-357	21130-358		
9	16	767	553	600	21130-353	21130-352	23130-092	21120-189
10	16	767	553	800	21130-355	21130-354		
11	20	945	553	500	21130-357	21130-358		
12	20	945	553	600	21130-353	21130-352	23130-092	21120-189
13	20	945	553	800	21130-355	21130-354		
14	25	1167	553	500	21130-357	21130-358		
15	25	1167	553	600	21130-353	21130-352	23130-092	21120-189
16	25	1167	553	800	21130-355	21130-354		
17	34	1567	553	500	21130-357	21130-358		
18	34	1567	553	600	21130-353	21130-352	23130-092	21120-189
19	34	1567	553	800	21130-355	21130-354		
20	38	1745	553	500	21130-357	21130-358		
21	38	1745	553	600	21130-353	21130-352	23130-092	21120-189
22	38	1745	553	800	21130-355	21130-354		
23	43	1967	553	500	21130-357	21130-358		
24	43	1967	553	600	21130-353	21130-352	23130-092	21120-189
25	43	1967	553	800	21130-355	21130-354		
26	47	2145	553	500	21130-357	21130-358		
27	47	2145	553	600	21130-353	21130-352	23130-092	21120-189
28	47	2145	553	800	21130-355	21130-354		

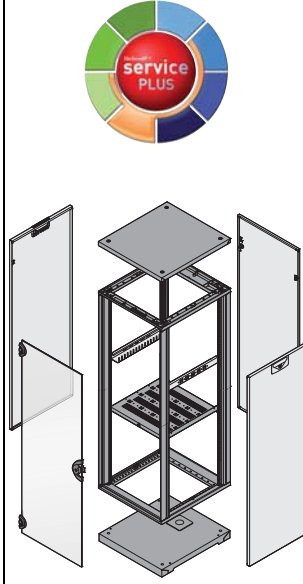
If you would like to have the individual components of your configured ServicePLUS cabinet fitted, please add the suffix /05 to the order number



Further information [www.schroff.biz/oneclick](http://www.schroff.biz/oneclick) oneClick code = order number

## Slide rails, cable ties, Velcro-type tapes

### Order Information

					Slide rail			Cable tie	Velcro	<b>General components in the main catalogue</b>  <b>Mechanics from page 3.2</b>  <b>Electrics from page 3.31</b>  <b>Climate control from page 4.0</b>
					Slide rail	Short slide rail				
Cabinet dimensions										
No.	Height U	Width mm	Depth mm		PU 2 pieces assembled	PU 2 pieces supplied loose	PU 10 pieces supplied loose	PU 25 pieces supplied loose	PU 10 pieces supplied loose	
1	6	357	553	500	27230-102	27230-125	27230-126	20118-351	20118-624	
2	6	357	553	600	27230-103					
3	9	456	553	500	27230-102	27230-125	27230-126	20118-351	20118-624	
4	9	456	553	600	27230-103					
5	12	589	553	500	27230-102					
6	12	589	553	600	27230-103	27230-125	27230-126	20118-351	20118-624	
7	12	589	553	800	27230-104					
8	16	767	553	500	27230-102					
9	16	767	553	600	27230-103	27230-125	27230-126	20118-351	20118-624	
10	16	767	553	800	27230-104					
11	20	945	553	500	27230-102					
12	20	945	553	600	27230-103	27230-125	27230-126	20118-351	20118-624	
13	20	945	553	800	27230-104					
14	25	1167	553	500	27230-102					
15	25	1167	553	600	27230-103	27230-125	27230-126	20118-351	20118-624	
16	25	1167	553	800	27230-104					
17	34	1567	553	500	27230-102					
18	34	1567	553	600	27230-103	27230-125	27230-126	20118-351	20118-624	
19	34	1567	553	800	27230-104					
20	38	1745	553	500	27230-102					
21	38	1745	553	600	27230-103	27230-125	27230-126	20118-351	20118-624	
22	38	1745	553	800	27230-104					
23	43	1967	553	500	27230-102					
24	43	1967	553	600	27230-103	27230-125	27230-126	20118-351	20118-624	
25	43	1967	553	800	27230-104					
26	47	2145	553	500	27230-102					
27	47	2145	553	600	27230-103	27230-125	27230-126	20118-351	20118-624	
28	47	2145	553	800	27230-104					

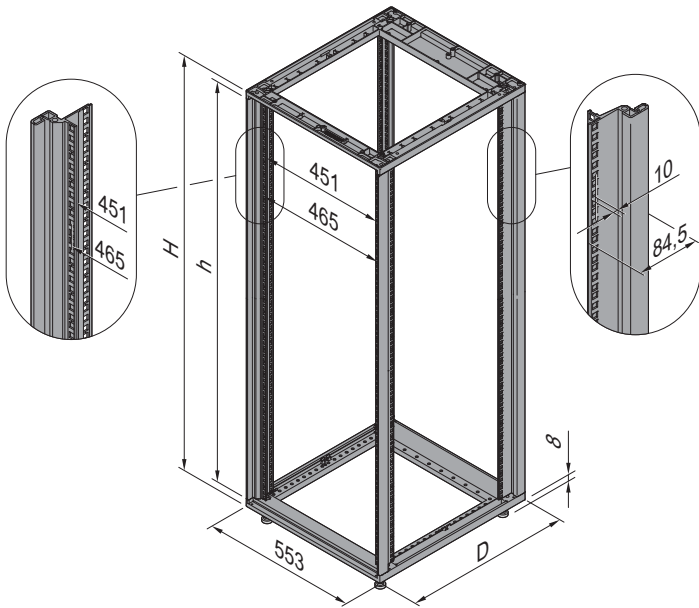
If you would like to have the individual components of your configured ServicePLUS cabinet fitted, please add the suffix /05 to the order number; please add the suffix /35 for kits supplied loose



Further information [www.schroff.biz/oneclick](http://www.schroff.biz/oneclick) oneClick code = order number

## Dimension drawings Slim-Line frames

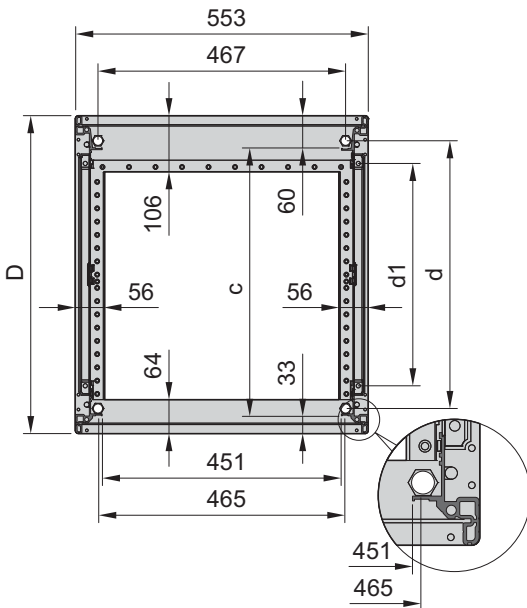
Frame



Frame dimensions

Cabinet height	H	h
U	mm	mm
6	357	268
9	456	401
12	589	535
16	767	713
20	945	890
25	1167	1112
34	1567	1513
38	1745	1690
43	1967	1913
47	2145	2090

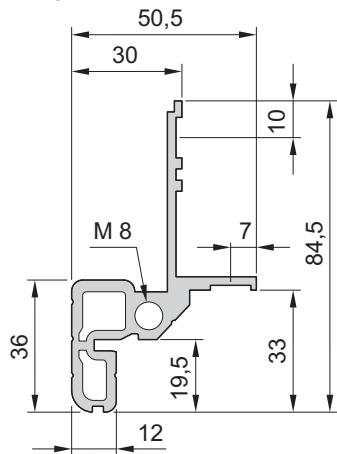
Frame (top view)



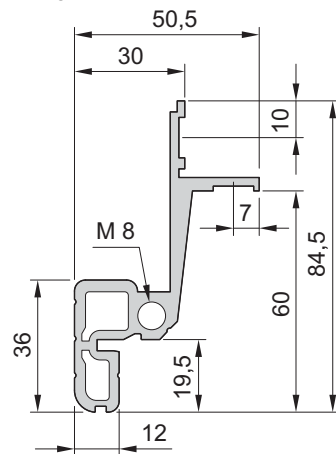
Frame dimensions

D	d	c	d1
mm	mm	mm	mm
500	387	407	319
600	487	507	419
800	687	707	619

Upright at front



Upright at rear

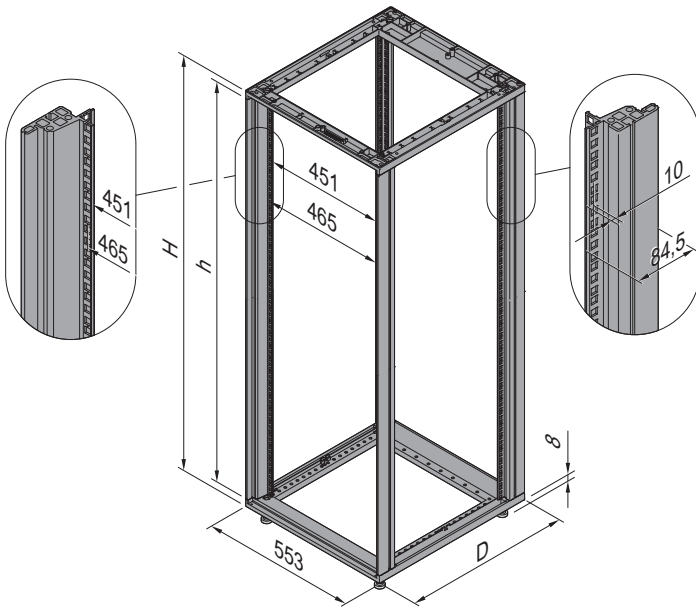


07011096

07011097

## Dimension drawings Heavy-Duty frames

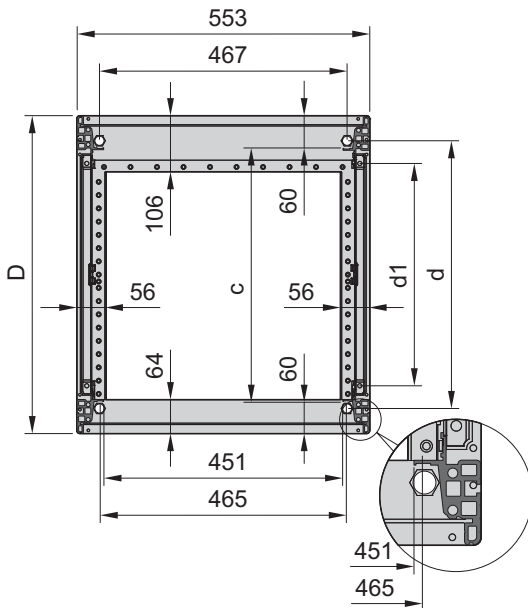
Frame



Frame dimensions

Cabinet height	H	h
U	mm	mm
16	767	713
20	945	890
25	1167	1112
34	1567	1513
38	1745	1690
43	1967	1913
47	2145	2090

Frame (top view)

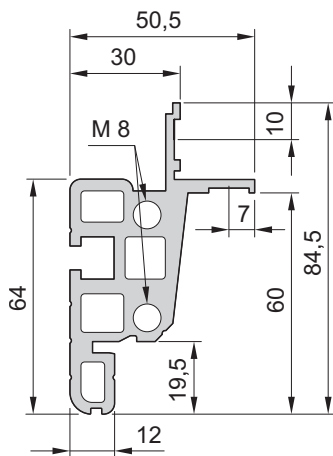


07011095

Frame

D	d	c	d1
mm	mm	mm	mm
500	387	380	319
600	487	480	419
800	687	680	619

Upright front/rear



07011100

07011099

### About Pentair Technical Products

Pentair Technical Products, a Pentair global business unit, is the leading provider of worldwide product and service solutions for enclosing, protecting and cooling electrical and electronic systems. Its industry-leading brands – Hoffman®, Schroff®, McLean® Cooling Technology, Calmark®, Birtcher®, Aspen Motion Technologies™ and Taunus™ – provide a broad variety of standard, modified and engineered solutions to the commercial, communications, energy, general electronics, industrial, infrastructure, medical, and security and defense markets.



#### NORTH AMERICA

##### Pentair Technical Products

2100 Hoffman Way  
Anoka, MN 55303-1745  
Tel: +1 (763) 421-2240

170 Commerce Drive  
Warwick, RI 02886  
Tel: +1 (401) 732-3770

7328 Trade Street  
San Diego, CA 92121  
Tel: +1 (858) 740-2400

1120 Rock Road  
Radford, VA 24141  
Tel: +1 (540) 639-4440

##### Pentair Technical Products

Hoffman Enclosures Inc.  
111 Grangeway Ave., #504  
Scarborough, ON M1H 3E9  
Tel: +1 (416) 289-2770

##### Pentair Technical Products

Hoffman Enclosures Mexico,  
S. de R.L. de C.V.  
Arquimedes 33 Piso 1  
Colonia Palmas Polanco  
Mexico DF 11560  
Tel: +52 55 5280 1449

#### SOUTH AMERICA

##### Pentair Technical Products

Pentair Taunus Electrometalurgica Ltda  
Rua Joao Marcon, 165  
18550.000 – Centro Boituva – SP Brazil  
Tel: +55 15 3363 9100

#### EUROPE

##### Pentair Technical Products

Schroff GmbH  
Langenalber Straße 96-100  
75334 Straubenhardt, Germany  
Tel: +49 (0)7082 794-0

##### Pentair Technical Products

Schroff UK Ltd.  
Maylands Avenue  
Hemel Hempstead  
Herts HP2 7DE Great Britain  
Tel: +44 (0)1442 240 471

##### Pentair Technical Products

Schroff SAS  
Z.I. 4, rue du Marais  
Boîte Postale 16  
67660 Betschdorf, France  
Tel: +33 (0)3 88 90 64 90

#### EUROPE

##### Pentair Technical Products

Schroff Scandinavia AB  
Flygfältsgatan 11  
P.O. Box 2003  
12821 Skarpnäck, Sweden  
Tel: +46 (0) 8 683 61 00

##### Pentair Technical Products

Schroff Scandinavia AB  
Peräsimentie 8  
FIN-03100 Nummela  
Finland  
Tel: +358 9 222 68 00

##### Pentair Technical Products

Schroff S.r.l.  
Via Brughiera 1  
20010 Pregnana Milanese (MI)  
Italy  
Tel: +39 02 932 714-1

##### Pentair Technical Products

Pentair Poland Sp.z.o.o.  
ul. Marynarska 21  
PL-02-674 Warszawa Poland  
Tel: +48 (0) 22 607 06 16

#### ASIA

##### Pentair Technical Products

21st Floor of Cloud Nine Plaza  
No. 1118 West Yan'an Road  
Changning District, Shanghai  
P.R. China  
Tel: +86 400 820 1133

##### Pentair Technical Products

India Pvt. Ltd.  
Unit 1, Factory 2  
(Sai Lakshmi Industrial Campus)  
Kannamangala, Bidarahalli Hobli  
Whitefield – Hoskote Road  
Bangalore – 560 067  
Tel: +91 80 2845 4640

##### Pentair Technical Products

Hoffman Schroff Pte Ltd.  
18 Boon Lay Way  
TradeHub 21, #04-110/111  
Singapore 609966  
Tel: +65 6795 2213

##### Pentair Technical Products

Schroff K.K.  
Nisso No.13 Bldg. 4F  
2-5-1 Shinyokohama  
Kohoku-ku yokohama-shi  
Kanagawa 222-0033 Japan  
Tel: +81 (0)45 476 02 81