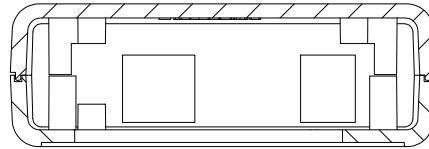
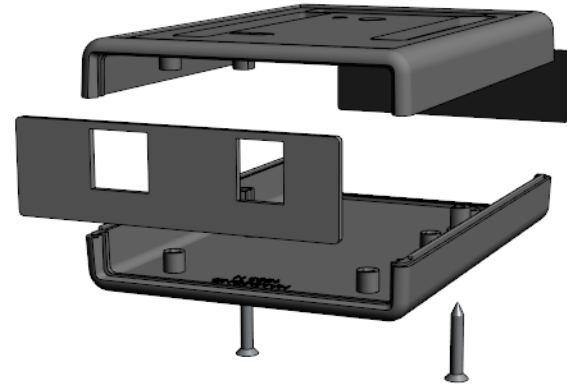
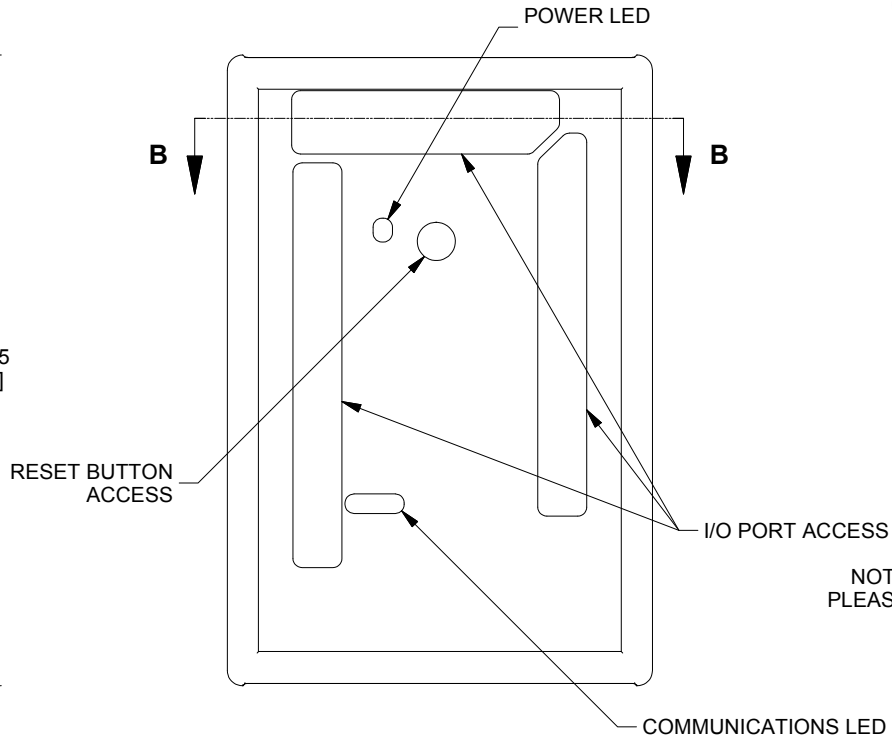
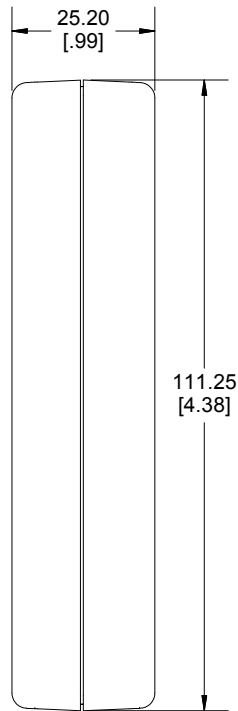


Enclosures can be Factory Modified ( Milling, Drilling, Printing etc.)  
 Contact Factory [mjm@hammondmfg.com](mailto:mjm@hammondmfg.com) for quotes



**SECTION B-B**

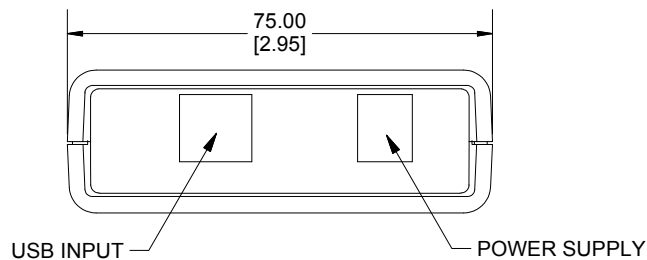


NOTE: 1593MEG ENCLOSURE IS BASED ON HAMMOND STANDARD 1593N  
 PLEASE SEE 1593N DRAWING FOR STANDARD ENCLOSURE SPECIFICATIONS

**NOTE**

Purchased assembly includes top and bottom cover, front and rear end panels, 2 cover screws, and 1 black rubber foot (P.C. Board not included)  
 Enclosure molded from ABS Plastic.

**ASSEMBLY - VIEW FROM TOP SIDE**



| PART NUMBERS               |               |
|----------------------------|---------------|
| 1593HAMMEG Enclosure       |               |
| Black Enclosure            | 1593HAMMEGBK  |
| Grey Enclosure             | 1593HAMMEGGY  |
| Translucent Blue Enclosure | 1593HAMMEGTBU |

Dimensions:  
 mm  
 [inches]



**HAMMOND  
 MANUFACTURING™**  
**1593HAMMEG**  
[www.hammondmfg.com](http://www.hammondmfg.com)