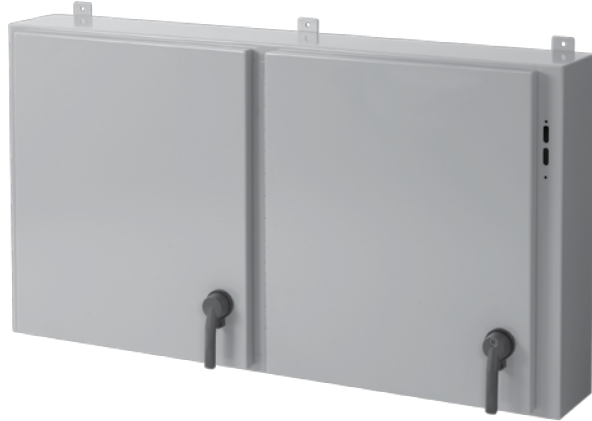


LOW-PROFILE, ONE- TO FIVE-DOOR DISCONNECT ENCLOSURE, TYPE 12



INDUSTRY STANDARDS

UL 508A Listed; Type 12; File No. E61997
cUL Listed per CSA C22.2 No. 94; Type 12; File No. E61997

NEMA/EEMAC Type 12
IEC 60529, IP55

APPLICATION

Available in one- to four-door wall-mount and one- to five-door free-stand models, the larger wall-mount sizes accommodate more components and are ideal for applications with limited floor space. Free-stand enclosures are 48- and 60-in. high to provide a clear line of site above the enclosure.

SPECIFICATIONS

- .074-in., .098-in. or .121-in. steel
- Seams continuously welded and ground smooth
- Body stiffeners in larger enclosures for extra rigidity
- Body flange trough excludes liquids and contaminants
- Heavy duty lifting eyes anchor into reinforced top on larger models
- Removable centerposts for easy panel installation
- Concealed, easy-to-remove hinges
- Heavy duty latch mechanism operated by zinc die-cast padlocking defeater handle on all doors; 2-point latch on enclosures up to 36 in. (914 mm); 3-point latch on enclosures 42 in. (1067 mm) and above
- Oil-resistant gasket
- Removable .127-in. thick steel panels mount on collar studs; purchase panels separately
- Master door is far right-hand door on all enclosures
- Defeater on master door requires a screwdriver to open
- Mechanical interlock activated by master door prevents slave doors from being opened first; doors can be closed in any order
- Preferred cutout on right flange provides mounting for most disconnect switches and circuit breakers
- Enclosures with three to five doors have three stiffeners on rear of body

FINISH

ANSI 61 gray inside and outside over pretreated surfaces. Optional panels have white or conductive finish.

ACCESSORIES

See also *Accessories*.

Electric Heater

INTERSAFE™ Data Interface Ports, Type 4/4X/12

PANELITE™ Enclosure Lights Overview

Steel and Stainless Steel Window Kits

MODIFICATION AND CUSTOMIZATION

Hoffman excels at modifying and customizing products to your specifications. Contact your local Hoffman sales office or distributor for complete information.

BULLETIN: A26M1, A26M2, A26MM

Standard Product **Low Profile Type 12 One-Door Disconnect Enclosures**

Catalog Number	AxBxC in.	AxBxC mm	Description	Body Thickness (in.)	Panel	Conductive Panel	Panel Qty.	Lifting Eyes
A30X1E2808	30.00 x 28.25 x 8.00	762 x 718 x 203	Wall-Mount	.074	A25P21	A25P21G	1	0
A30X1E2810	30.00 x 28.25 x 10.00	762 x 718 x 254	Wall-Mount	.074	A25P21	A25P21G	1	0
A36X1E2808	36.00 x 28.25 x 8.00	914 x 718 x 203	Wall-Mount	.074	A31P21	A31P21G	1	0
A36X1E2810	36.00 x 28.25 x 10.00	914 x 718 x 254	Wall-Mount	.074	A31P21	A31P21G	1	0
A42X1E2808	42.00 x 28.25 x 8.00	1067 x 718 x 203	Wall-Mount	.074	A37P21	A37P21G	1	0
A42X1E2810	42.00 x 28.25 x 10.00	1067 x 718 x 254	Wall-Mount	.074	A37P21	A37P21G	1	0
A48X1E4010	48.00 x 40.25 x 10.00	1219 x 1022 x 254	Free-Stand	.098	A42P33	A42P33G	1	2
A48X1E4024	48.00 x 40.25 x 24.00	1219 x 1022 x 610	Free-Stand	.098	A42P33	A42P33G	1	2
A48X1E4018	48.00 x 40.25 x 18.00	1220 x 1023 x 457	Free-Stand	.098	A42P33	A42P33G	1	2
A60X1E4008	60.00 x 40.25 x 8.00	1524 x 1022 x 203	Free-Stand	.098	A54P33	A54P33G	1	2
A60X1E4010	60.00 x 40.25 x 10.00	1524 x 1022 x 254	Free-Stand	.098	A54P33	A54P33G	1	2
A60X1E4018	60.00 x 40.25 x 18.00	1525 x 1023 x 457	Free-Stand	.098	A54P33	A54P33G	1	2
A60X1E4024	60.00 x 40.25 x 24.00	1525 x 1023 x 610	Free-Stand	.098	A54P33	A54P33G	1	2

Purchase panels separately.

Standard Product **Low Profile Type 12 Two-Door Disconnect Enclosures**

Catalog Number	AxBxC in.	AxBxC mm	Description	Body Thickness (in.)	Panel	Conductive Panel	Panel Qty.	Body Stiffener	Lifting Eyes
A30X2E5408	30.00 x 54.50 x 8.00	762 x 1384 x 203	Wall-Mount	.098	A25P48	A25P48G	1	0	0
A30X2E5410	30.00 x 54.50 x 10.00	762 x 1384 x 254	Wall-Mount	.098	A25P48	A25P48G	1	0	0
A36X2E5408	36.00 x 54.50 x 8.00	914 x 1384 x 203	Wall-Mount	.098	A31P48	A31P48G	1	0	0
A36X2E5410	36.00 x 54.50 x 10.00	914 x 1384 x 254	Wall-Mount	.098	A31P48	A31P48G	1	0	0
A42X2E5408	42.00 x 54.50 x 8.00	1067 x 1384 x 203	Wall-Mount	.098	A37P48	A37P48G	1	0	0
A42X2E5410	42.00 x 54.50 x 10.00	1067 x 1384 x 254	Wall-Mount	.098	A37P48	A37P48G	1	0	0
A48X2E7808	48.00 x 78.50 x 8.00	1219 x 1994 x 203	Free-Stand	.098	A42P72	A42P72G	1	0	2
A48X2E7810	48.00 x 78.50 x 10.00	1219 x 1994 x 254	Free-Stand	.098	A42P72	A42P72G	1	0	2
A48X2E7812	48.00 x 78.50 x 12.00	1219 x 1994 x 305	Free-Stand	.098	A42P72	A42P72G	1	0	2
A48X2E7818	48.00 x 78.50 x 18.00	1219 x 1994 x 457	Free-Stand	.098	A42P72	A42P72G	1	0	2
A48X2E7824	48.00 x 78.50 x 24.00	1219 x 1994 x 610	Free-Stand	.098	A42P72	A42P72G	1	0	2
A60X2E7808	60.00 x 78.50 x 8.00	1524 x 1994 x 203	Free-Stand	.098	A54P72	A54P72G	1	0	2
A60X2E7810	60.00 x 78.50 x 10.00	1524 x 1994 x 254	Free-Stand	.098	A54P72	A54P72G	1	0	2
A60X2E7818	60.00 x 78.50 x 18.00	1524 x 1995 x 457	Free-Stand	.098	A54P72	A54P72G	1	0	2
A60X2E7824	60.00 x 78.50 x 24.00	1524 x 1994 x 610	Free-Stand	.098	A54P72	A54P72G	1	0	2

Purchase panels separately.

Standard Product **Low Profile Type 12 Three-Door Disconnect Enclosures**

Catalog Number	AxBxC in.	AxBxC mm	Description	Body Thickness (in.)	Panel	Conductive Panel	Panel Qty.	Body Stiffener	Lifting Eyes
A30X3E8310	30.00 x 82.25 x 10.00	762 x 2089 x 254	Wall-Mount	.098	A25P21, A25P48	A25P21G, A25P48G	1, 1	0	2
A36X3E8310	36.00 x 82.25 x 10.00	914 x 2089 x 254	Wall-Mount	.098	A31P21, A31P48	A31P21G, A31P48G	1, 1	0	2
A42X3E8310	42.00 x 82.25 x 10.00	1067 x 2089 x 254	Wall-Mount	.098	A37P21, A37P48	A37P21G, A37P48G	1, 1	0	2
A48X3E11910	48.00 x 118.25 x 10.00	1219 x 3004 x 254	Free-Stand	.098	A42P33, A42P72	A42P33G, A42P72G	1, 1	3	2
A48X3E11912	48.00 x 118.25 x 12.00	1219 x 3004 x 305	Free-Stand	.098	A42P33, A42P72	A42P33G, A42P72G	1, 1	3	2
A48X3E11918	48.00 x 118.25 x 18.00	1219 x 3004 x 457	Free-Stand	.098	A42P33, A42P72	A42P33G, A42P72G	1, 1	3	2
A60X3E11910	60.00 x 118.25 x 10.00	1524 x 3004 x 254	Free-Stand	.098	A54P33, A54P72	A54P33G, A54P72G	1, 1	3	2
A60X3E11912	60.00 x 118.25 x 12.00	1524 x 3004 x 305	Free-Stand	.098	A54P33, A54P72	A54P33G, A54P72G	1, 1	3	2
A60X3E11918	60.00 x 118.25 x 18.00	1524 x 3004 x 457	Free-Stand	.098	A54P33, A54P72	A54P33G, A54P72G	1, 1	3	2
A60X3E11924	60.00 x 118.25 x 24.00	1524 x 3004 x 610	Free-Stand	.098	A54P33, A54P72	A54P33G, A54P72G	1, 1	3	2

Purchase panels separately.

Standard Product **Low Profile Type 12 Four-Door Disconnect Enclosures**

Catalog Number	AxBxC in.	AxBxC mm	Description	Body Thickness (in.)	Panel	Conductive Panel	Panel Qty.	Body Stiffener	Lifting Eyes
A42X4E10810	42.00 x 108.50 x 10.00	1067 x 2756 x 254	Wall-Mount	.121	A37P48	A37P48G	2	0	4
A48X4E15710	48.00 x 156.50 x 10.00	1219 x 3975 x 254	Free-Stand	.121	A42P72	A42P72G	2	3	4
A48X4E15712	48.00 x 156.50 x 12.00	1219 x 3975 x 305	Free-Stand	.121	A42P72	A42P72G	2	3	4
A48X4E15718	48.00 x 156.50 x 18.00	1219 x 3977 x 457	Free-Stand	.121	A42P72	A42P72G	2	3	4
A60X4E15710	60.00 x 156.50 x 10.00	1524 x 3975 x 254	Free-Stand	.121	A54P72	A54P72G	2	3	4
A60X4E15712	60.00 x 156.50 x 12.00	1524 x 3975 x 305	Free-Stand	.121	A54P72	A54P72G	2	3	4
A60X4E15716	60.00 x 156.50 x 16.00	1524 x 3975 x 406	Free-Stand	.121	A54P72	A54P72G	2	3	4
A60X4E15718	60.00 x 156.50 x 18.00	1524 x 3975 x 457	Free-Stand	.121	A54P72	A54P72G	2	3	4

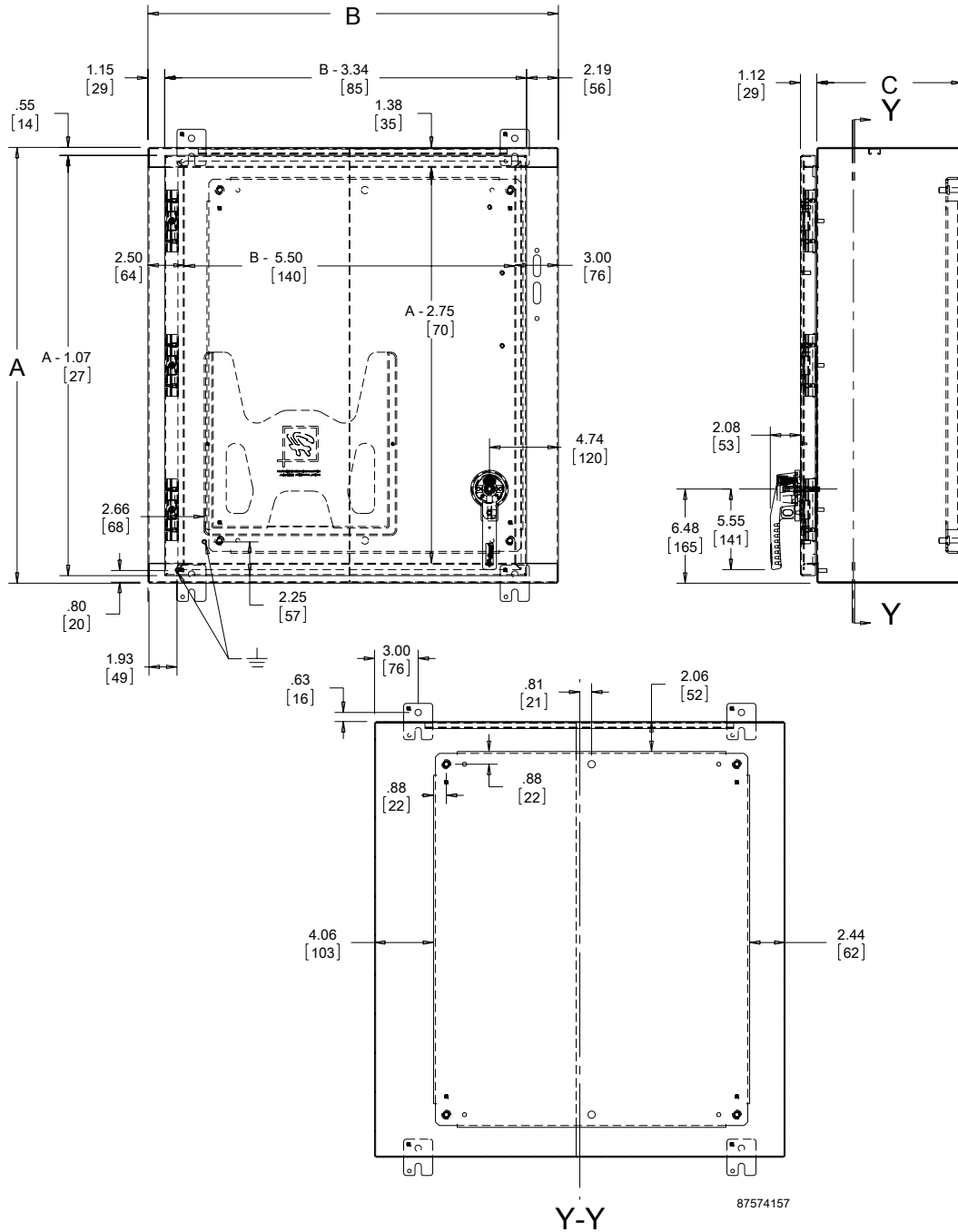
Purchase panels separately.

Standard Product **Low Profile Type 12 Five-Door Disconnect Enclosures**

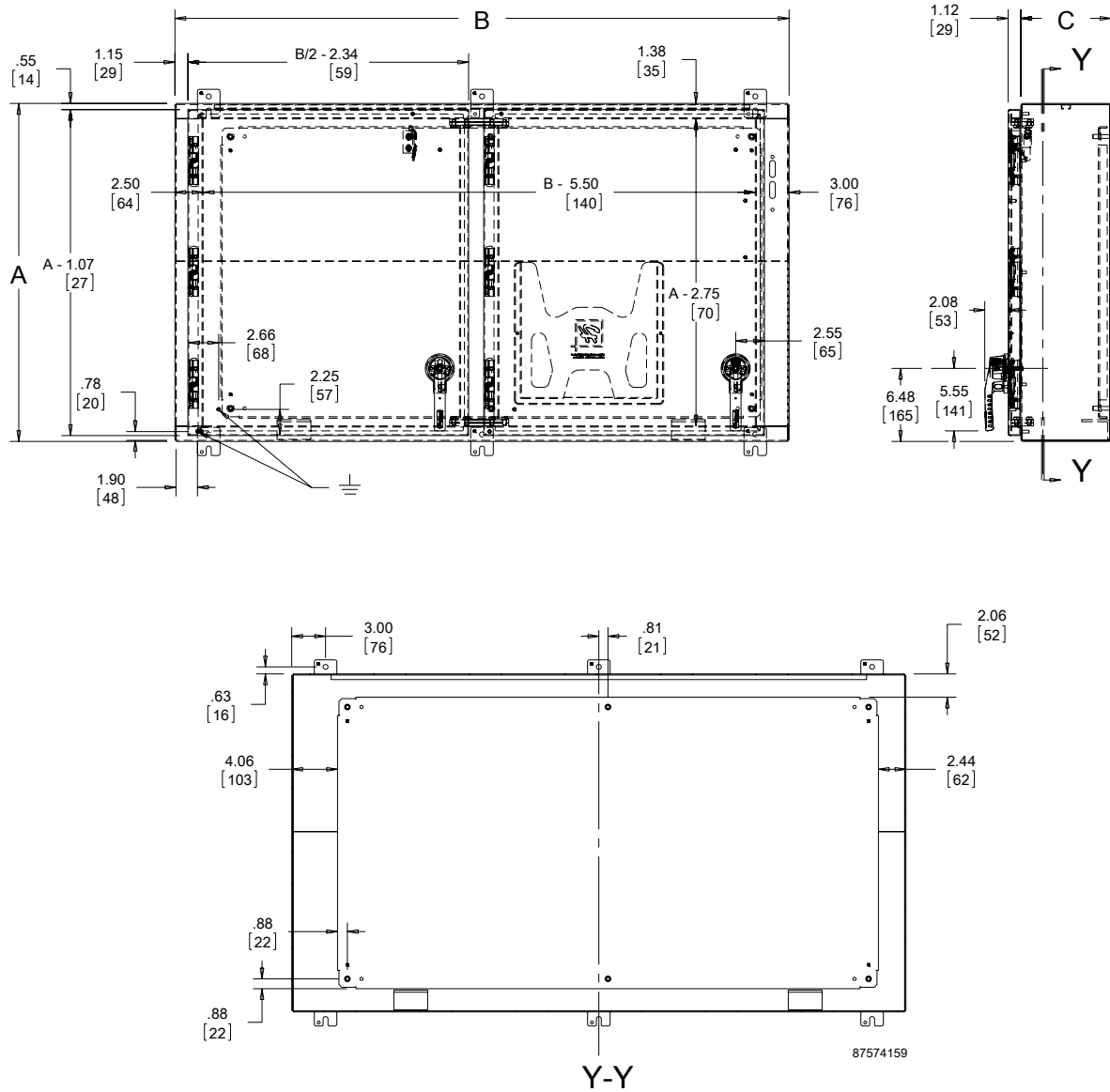
Catalog Number	AxBxC in.	AxBxC mm	Description	Body Thickness (in.)	Panel	Conductive Panel	Panel Qty.	Body Stiffener	Lifting Eyes
A48X5E19612	48.00 x 196.25 x 12.00	1219 x 4985 x 305	Free-Stand	.121	A42P33, A42P72	A42P33G, A42P72G	1, 2	3	4
A48X5E19618	48.00 x 196.25 x 18.00	1219 x 4985 x 457	Free-Stand	.121	A42P33, A42P72	A42P33G, A42P72G	1, 2	3	4
A60X5E19610	60.00 x 196.25 x 10.00	1524 x 4985 x 254	Free-Stand	.121	A54P33, A54P72	A54P33G, A54P72G	1, 2	3	4
A60X5E19612	60.00 x 196.25 x 12.00	1524 x 4985 x 305	Free-Stand	.121	A54P33, A54P72	A54P33G, A54P72G	1, 2	3	4
A60X5E19616	60.00 x 196.25 x 16.00	1524 x 4985 x 406	Free-Stand	.121	A54P33, A54P72	A54P33G, A54P72G	1, 2	3	8
A60X5E19618	60.00 x 196.25 x 18.00	1524 x 4985 x 457	Free-Stand	.121	A54P33, A54P72	A54P33G, A54P72G	1, 2	3	8

Purchase panels separately.

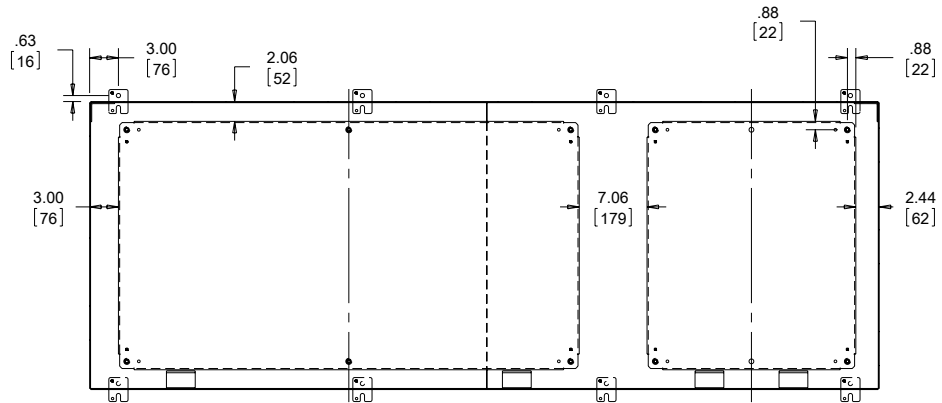
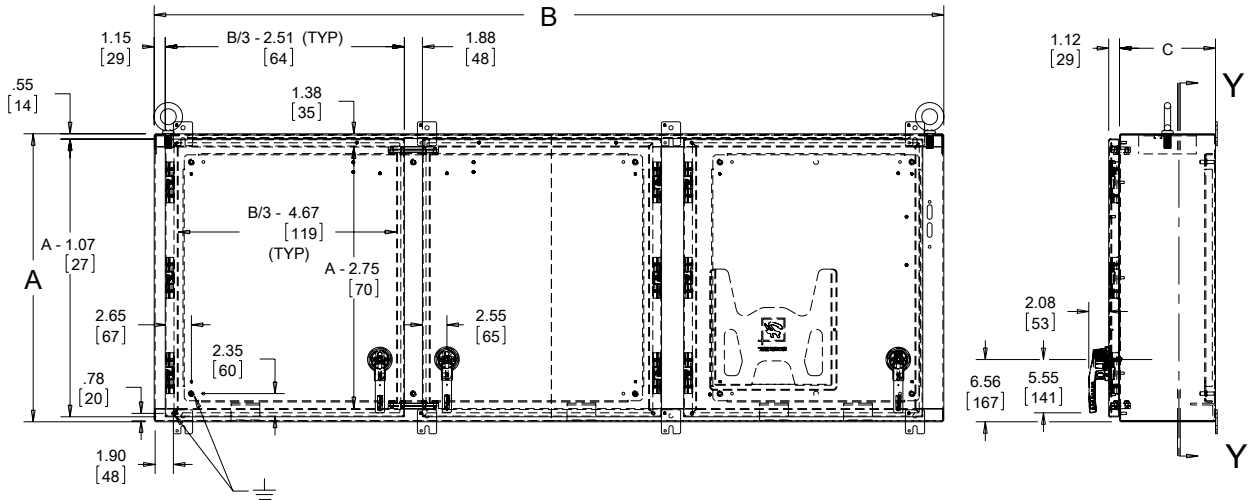
Single-Door Enclosures



Two-Door Enclosure



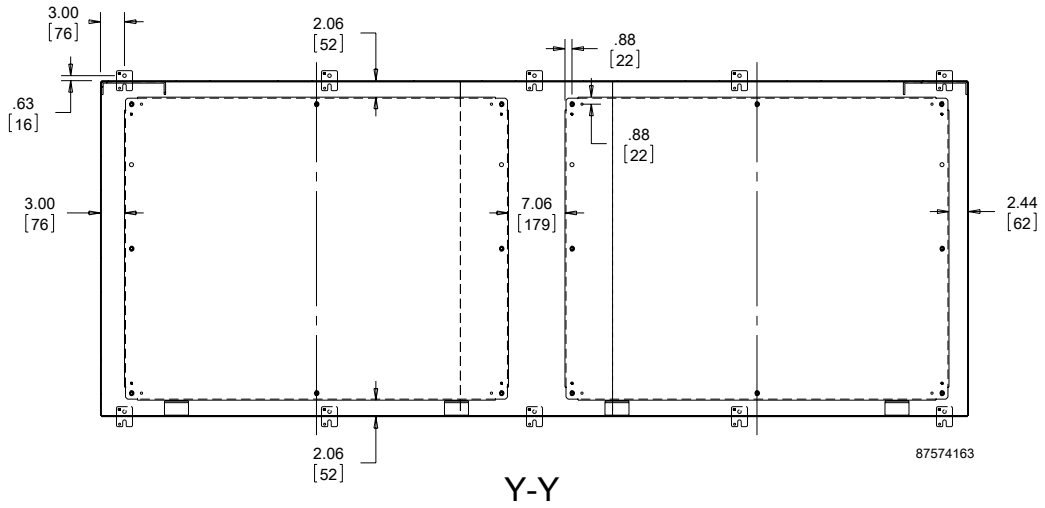
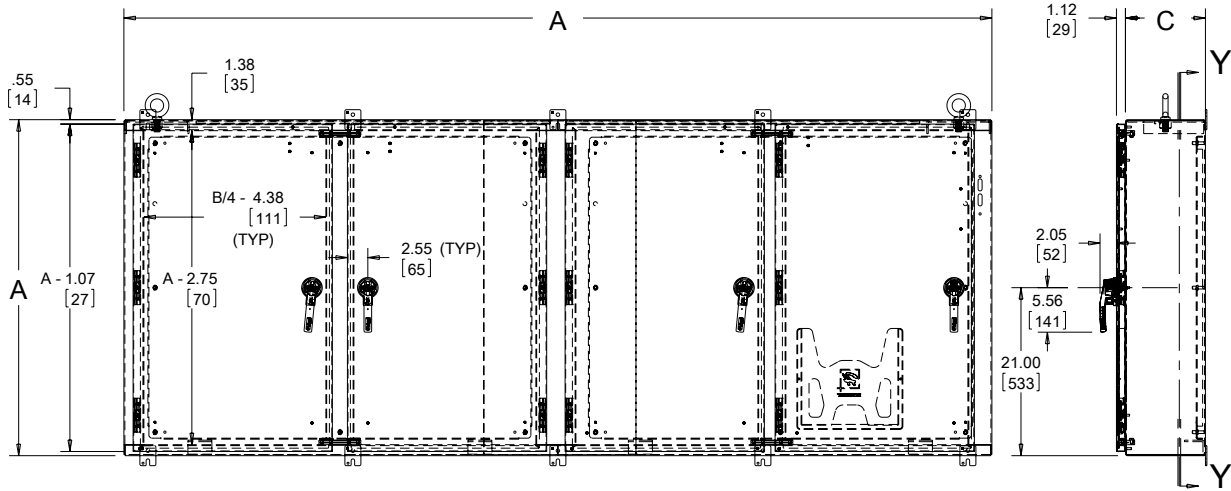
Three-Door Enclosure



87574161

Y-Y

Four-Door Enclosure



DISCONNECT MOUNTING SPACE

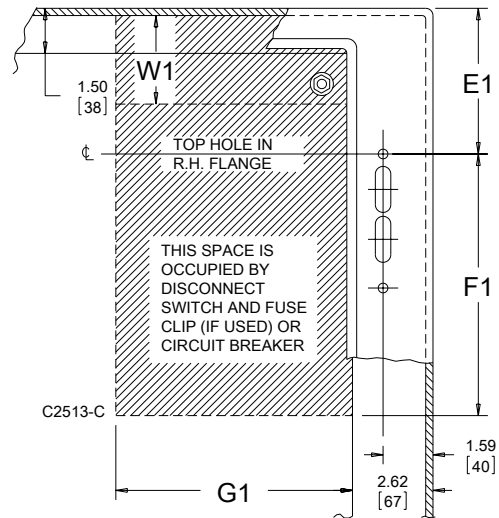
Disconnects will occupy space on panel shown by dimensions E1, F1 and G1 in Disconnect Mounting Space diagram. Wiring space W1 is available when disconnect is installed in the enclosure.

- E1 = 4.75 in. (121 mm) when C = 8.00 in. (203 mm)
- E1 = 7.09 in. (180 mm) when C = 10.00 in. (254 mm)
- E1 = 11.62 in. (294 mm) when C = 12.00 in. (305 mm)
- E1 = 11.62 in. (294 mm) when C = 16.00 in. (406 mm)
- E1 = 18.38 in. (467 mm) for A60SA3812A24LP
- W1 = Wiring Space.

See *Technical Information for wire bend space.*

Refer to **NATIONAL ELECTRICAL CODE 2005** article 430.10(B) for wiring space required for line side conductors to be connected to disconnect.

Verify your application to determine if wiring space is adequate.



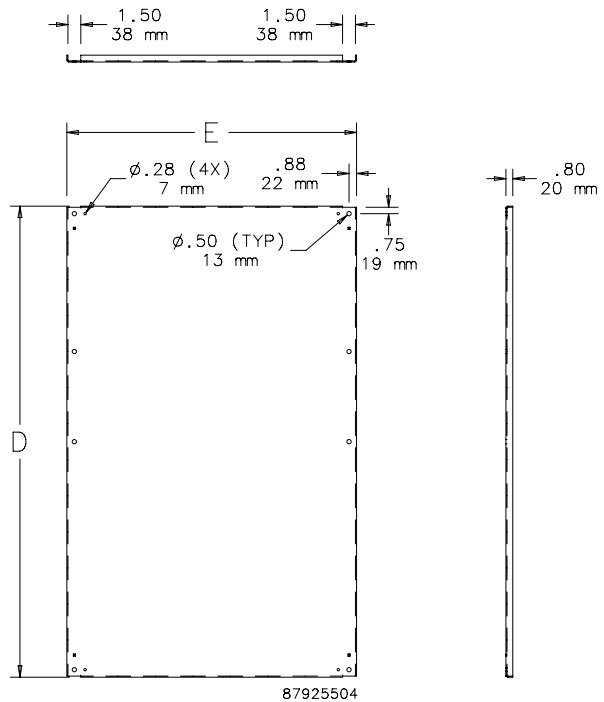
Consult disconnect manufacturer or see Disconnect Ordering information at hoffmanonline.com under Technical Resources for F1 and G1 dimensions of various brands of disconnects.

PANELS FOR A26 LOW-PROFILE TYPE 12 DISCONNECT ENCLOSURES

Optional panels for low-profile Type 12 enclosures (Bulletin A26) are .121-in. steel. Finish is white polyester powder paint or a conductive, corrosion-resistant coating. Mounting hardware included with enclosure.

BULLETIN: A26P

Catalog Number	AxB in.	AxB mm	Finish	Panel Size D x E (in.)	Panel Size D x E (mm)	Fits Bay
A25P21	25.88 x 21.75	657 x 552	Painted steel	25.88 x 21.75	657 x 552	1
A31P21	31.88 x 21.75	810 x 552	Painted steel	31.88 x 21.75	810 x 552	1
A31P21G	0.00		Conductive	31.88 x 21.75	810 x 552	1
A37P21	37.88 x 21.75	962 x 552	Painted steel	37.88 x 21.75	962 x 552	1
A37P21G	37.88 x 21.75	962 x 552	Conductive	37.88 x 21.75	962 x 552	1
A42P33	42.88 x 33.75	1089 x 857	Painted steel	42.88 x 33.75	1089 x 857	1
A42P33G	0.00		Conductive	42.88 x 33.75	1089 x 857	1
A54P33	54.88 x 33.75	1394 x 857	Painted steel	54.88 x 33.75	1394 x 857	1
A54P33G	0.00		Conductive	54.88 x 33.75	1394 x 857	1
A25P48	25.88 x 48.00	657 x 1219	Painted steel	25.88 x 48.00	657 x 1219	2
A25P48G	0.00		Conductive	25.88 x 48.00	657 x 1219	2
A31P48	31.88 x 48.00	810 x 1219	Painted steel	31.88 x 48.00	810 x 1219	2
A31P48G	0.00		Conductive	31.88 x 48.00	810 x 1219	2
A37P48	37.88 x 48.00	962 x 1219	Painted steel	37.88 x 48.00	962 x 1219	2
A37P48G	0.00		Conductive	37.88 x 48.00	962 x 1219	2
A42P72	42.88 x 72.00	1089 x 1829	Painted steel	42.88 x 72.00	1089 x 1829	2
A42P72G	0.00		Conductive	42.88 x 72.00	1089 x 1829	2
A54P72	54.88 x 72.00	1394 x 1829	Painted steel	54.88 x 72.00	1394 x 1829	2
A54P72G	0.00		Conductive	54.88 x 72.00	1394 x 1829	2



PREFERRED-CUTOUT OVERVIEW



APPLICATION

Enclosures having the preferred cutout are sized for use with up to 200A disconnect switches and up to 400A circuit breakers unless otherwise specified. The preferred cutout accepts the smaller operating handle whose mounting hole centers are 4.688 in. apart. Preferred cutouts are standard in mild steel wall-mount enclosures, modular enclosures and some select large mild steel enclosures. They are also present on all standard stainless steel offerings. Mild steel operator adapter plates with brand specific preferred cutouts are available for enclosures with a rectangular universal cutout.

Preferred cutouts are designed to house the following:

Allen-Bradley

- Bulletin 1494V disconnect switches with flange-mount variable-depth operating mechanisms and Bulletin 1494V flange-mount variable-depth operating mechanisms for circuit breakers
- Bulletin 140U flexible cable operating mechanisms for 140U molded case circuit breakers
- Bulletin 140G flexible cable and variable depth flange-mount molded case circuit breakers
- Bulletin 1494C cable-operated disconnect switches with flange-mount handles
- Bulletin 194RC cable-operated flange-mount handles for use with the NFPA 79 compliant 194R IEC rotary disconnect switches

Allen-Bradley Bulletin 1494V-R1, -R2 and -W2 operating handles and Allen-Bradley Bulletin 1494F disconnect devices or Bulletin 1494D circuit breaker operators will NOT fit these enclosures.

ABB Controls flange-mount variable-depth operating mechanisms for disconnect switches and circuit breakers. Also the cable version for circuit breakers.

Eaton Cutler-Hammer Type C361 flange-mount variable-depth operating mechanisms with disconnect switches and Type C371 flange-mount variable-depth operating mechanisms for circuit breakers.

General Electric Type STDA flange handles and variable-depth operating mechanisms for disconnect switches and circuit breakers. Also SPECTRAFLEX™ cable operators for circuit breakers.

Siemens ITE MAX FLEX® flange-mount variable-depth operating handles for circuit breakers.

Schneider Square D® Class 9422 disconnect switches with flange-mount variable-depth operating mechanisms or cable mechanisms and Class 9422 flange-mount variable-depth operating mechanisms or cable mechanisms for circuit breakers.

These enclosures will NOT accept Square D Class 9422 bracket-mounted disconnect devices, Class 9422TG1 or TG2 devices.

ORDERING

The disconnect switch, operating handle, and operating mechanism must be ordered from disconnect equipment supplier. See Technical Information in the Hoffman Specifier's Guide for wire bend space available when various manufacturers' disconnect switches are installed, or Disconnect Ordering Information at hoffmanonline.com for disconnect ordering guidelines and wire bend space available. Check the enclosure dimension drawings to verify the chosen disconnect switch will fit in the enclosure.

Notes