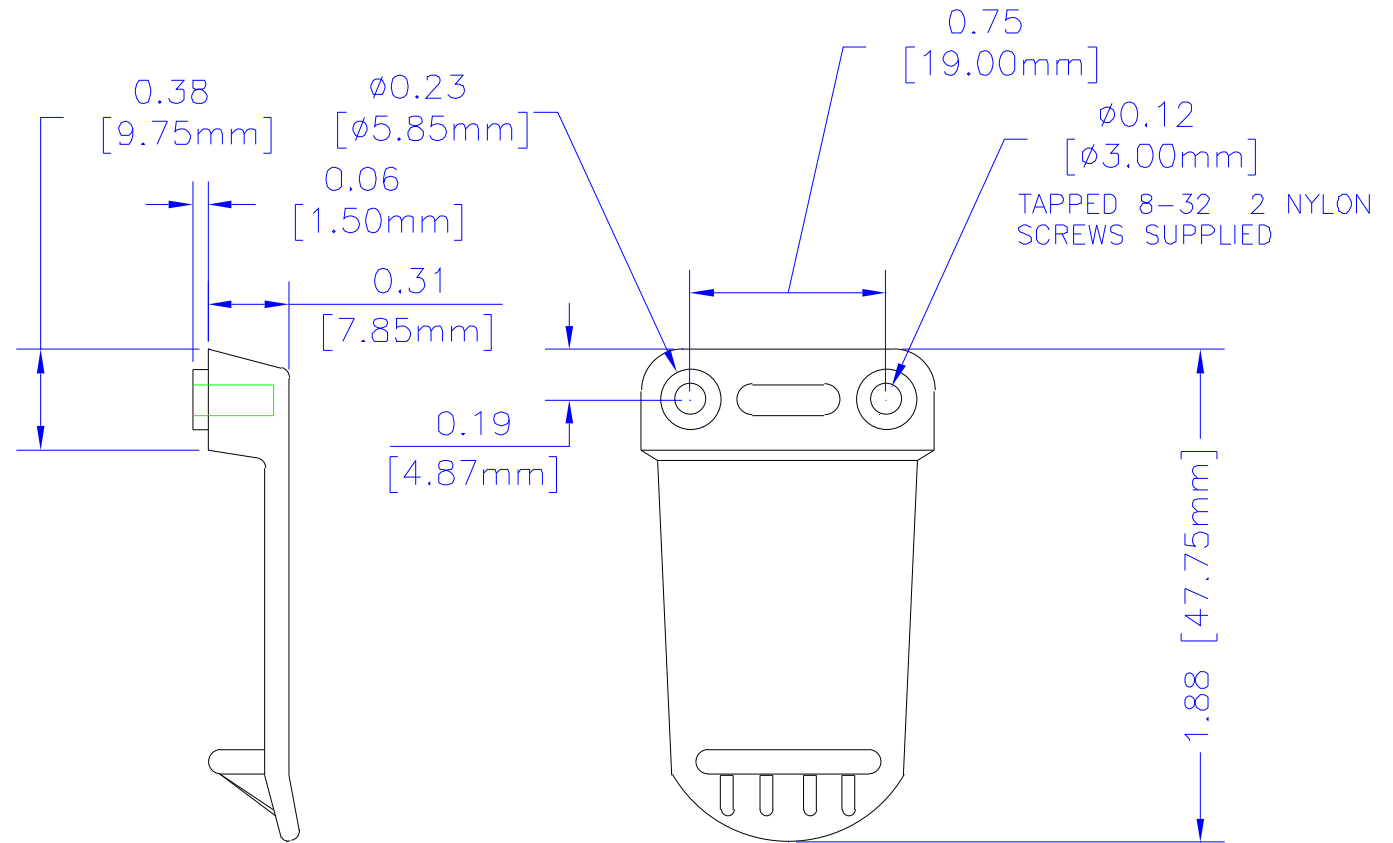
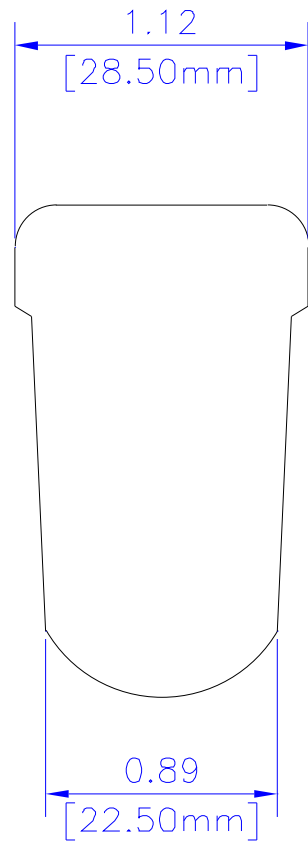


NOTES

MATERIAL NYLON
 PARTS TWO NYLON SCREWS & CLIP
 COLORS BLACK OR GRAY (ADD GY TO END OF PART NUMBER)



UNLESS OTHERWISE SPECIFIED
 DIMENSIONS ARE IN INCHES
 XX +/- .1
 XXX +/- .02
 XXX +/- .015
 GUTS +/- .020
 ANGLES +/- .5 DEG.
 NOTICE
 HAMMOND CLIPS PROPRIETARY RIGHTS TO
 THE MATERIAL ON THIS DRAWING. IT IS
 INTENDED TO BE USED AS A REFERENCE FOR
 ENGINEERING INFORMATION ONLY. THIS
 INFORMATION MAY NOT BE USED TO
 MANUFACTURE PRODUCT WITHOUT WRITTEN
 PERMISSION FROM HAMMOND MANUFACTURING.

**HAMMOND
 MANUFACTURING**
 WEB: WWW.HAMMONDMFG.COM

TITLE HAMMOND 1599 SERIES BELT CLIP
 DRAWN BY MJM DATE 02/17/01
 SCALE PAGE 1 OF 1
 PART NUMBER 1599CLIP