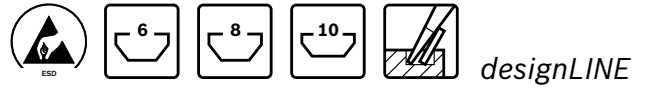


20784

Bracket

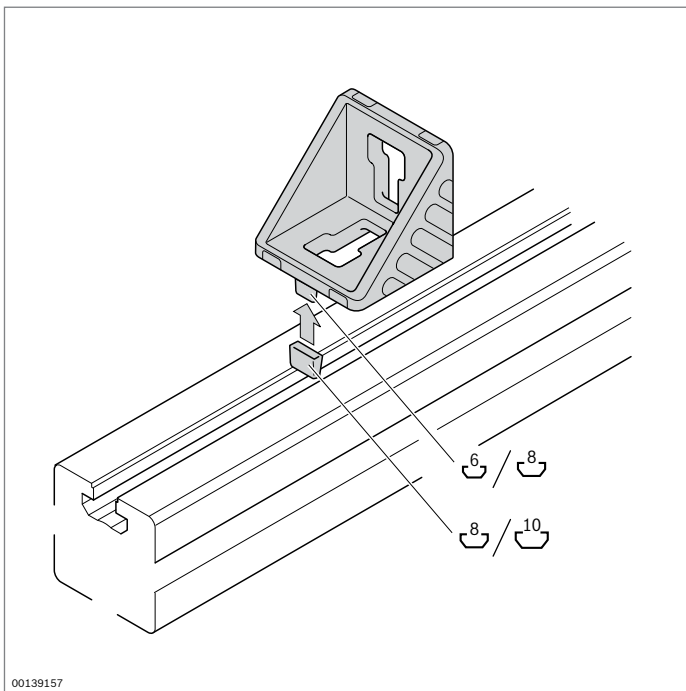


3

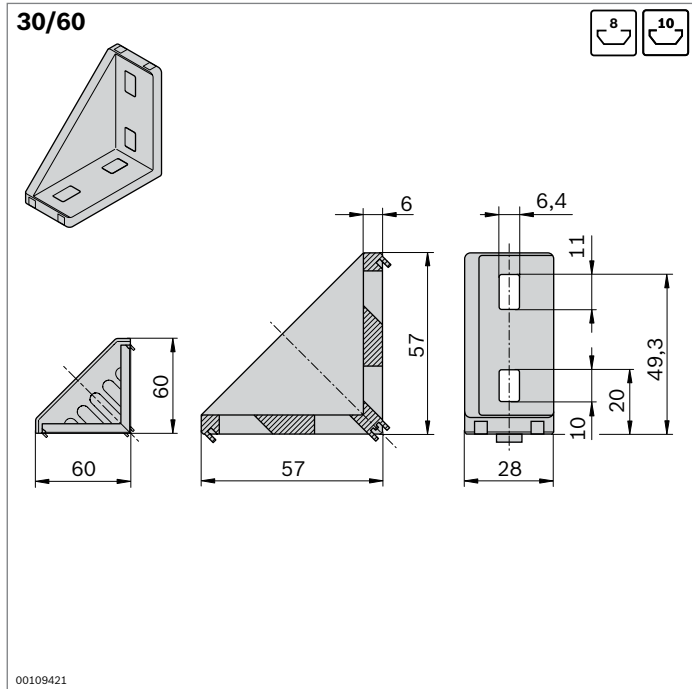
- ▶ Bracket with centering lugs for quick, precise and twist-resistant installation
- ▶ The centering lugs can simply be broken off for assembly on plates or at an angle to the slot
- ▶ *DesignLINE* version with special silver paint (RAL 9006) for an especially high-quality design
- ▶ Adapter for positioning brackets in the next largest slot
- ▶ Sliding block offset for off-center positioning of the 45/45 bracket
- ▶ Cover cap to protect from dirt, available in signal grey (RAL 7004) and black ESD (RAL 9005)
- ▶ Profile machining: not required

Technical data (p. 19-9)

Notice: The collar screws enable the brackets to be assembled really quickly and easily (p. 3-5)



00139157

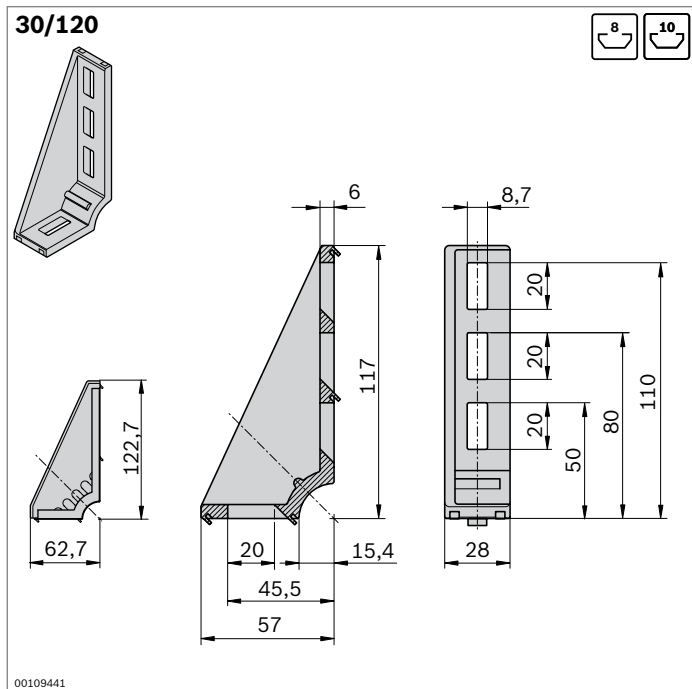
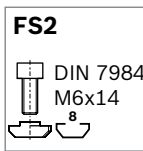


Model				
30/60	2500 N	100 Nm	170 Nm	25 Nm

30/60	Slot	ESD		No.	FS
Set (standard)	8 / 8			1	3 842 523 541 4xFS2
designLINE set	8 / 8			1	3 842 551 601 4xFS2
Bracket (standard)	8			20	3 842 523 538
Cover cap, signal grey				20	3 842 548 848
Cover cap, black				20	3 842 548 849
Adapter for 10 mm slot	8 / 10			100	3 842 523 537

Material: Bracket: diecast aluminum, vibratory ground
 Bracket *designLINE*: painted (RAL 9006)
 Adapter: PA, black
 Cover cap: PP
 Fastening material: Steel, galvanized
 Set Incl. fastening material (FS)

Scope of delivery:



Model			
30/120	3750 N	100 Nm	47 Nm

30/120	Slot	ESD		No.	FS
<i>designLINE</i> set	8 / 8			1	3 842 551 602 2xFS6
Bracket (standard)	8			20	3 842 523 587
Cover cap, signal grey				20	3 842 548 850
Cover cap, black				20	3 842 548 851
Adapter for 10 mm slot	8 / 10			100	3 842 523 537

Material: Bracket: diecast aluminum, vibratory ground
 Bracket *designLINE*: painted (RAL 9006)
 Adapter: PA, black
 Cover cap: PP
 Fastening material: Steel, galvanized
 Set Incl. fastening material (FS)

Scope of delivery:

