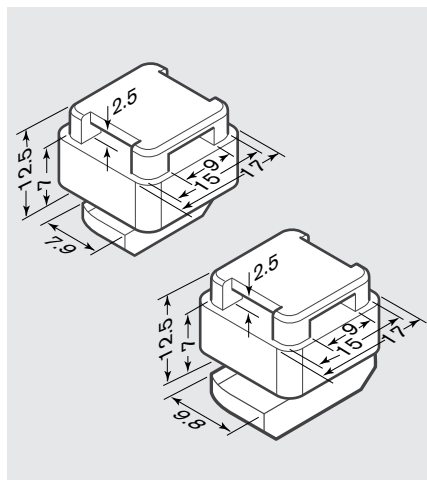


Section 12: Accessories

Accessories

Cable Carrier *GoTo*

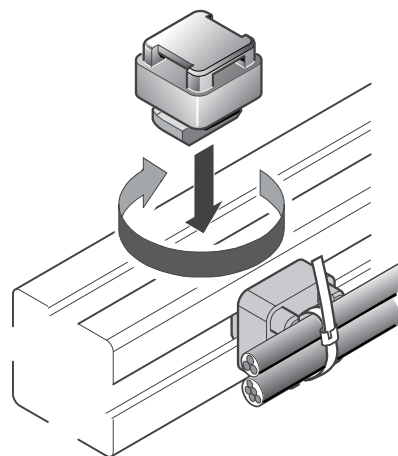


Features:

- Attach electrical wires or pneumatic tubing directly to a structure's frame using a standard wire tie
- Simple twist-lock installation makes them easy to install and remove
- Available for 8mm and 10mm T-slots

Material:

- Black polyamide

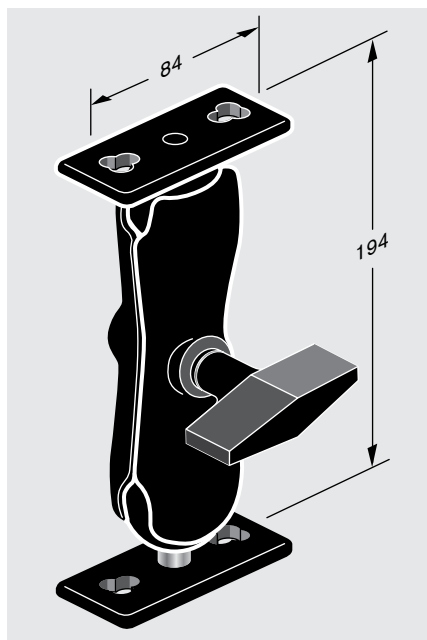


Description

Part Number

Cable carrier for 8mm T-slots	1	3 842 526 565 <i>GoTo</i>
Cable carrier for 10mm T-slots	1	3 842 526 564 <i>GoTo</i>

R-A-M® Mount

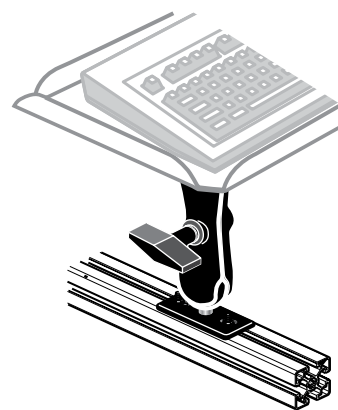


Features:

- Provides a fully adjustable, two-joint connection between two surfaces
- Locking handle secures the R-A-M mount in the desired position
- Perfect for fixturing or adjustable equipment mounts
- T-bolt fastening kit for installation profile sold separately (see Section 4)

Material:

- Mounting plates and R-A-M mount body: black die-cast aluminum
- Adjustment balls: rubber
- Hardware: stainless steel



Description

Lot Size

Part Number

R-A-M® mount	1	8 981 019 573
--------------	---	----------------------