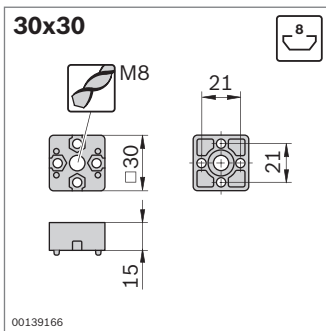


T-connector



- ▶ For right-angled profile connections
- ▶ *designLINE* version with special silver paint (RAL 9006) for an attractive, high-quality design
- ▶ Profile finishing:
 - 30x30: M8 thread cutting in central bores
 - 40x40, 45x45, 50x50: not required



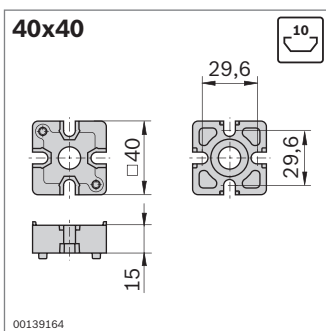
Type	F_{max}	M_{max}
30x30	4000 N	80 Nm

FS1	FS2
DIN7984 M8x30	DIN 7984 M5x16

T-connector	Slot	ESD	No.	FS
30x30 Set (standard)	8		3 842 524 476	1xFS1, 2xFS2
<i>designLINE</i> set	8		3 842 538 696	1xFS1, 2xFS2

Material: T-connector: die-cast aluminum
designLINE T-connector: painted (RAL 9006)
 Fastening material: steel, galvanized

Scope of delivery: Set incl. fastening material (FS)



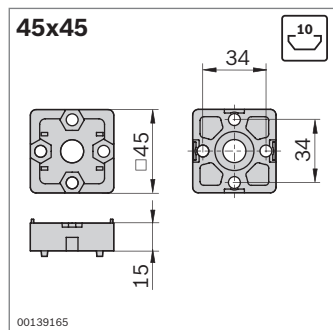
Type	F_{max}	M_{max}
40x40	9000 N	150 Nm

FS3	FS4
S12x30	DIN 7984 M6x20

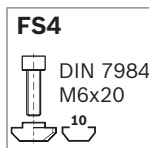
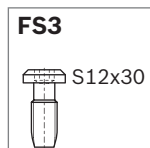
T-connector	Slot	ESD	No.	FS
40x40 Set (standard)	10		3 842 532 195	1xFS3, 2xFS4
<i>designLINE</i> set	10		3 842 538 697	1xFS3, 2xFS4

Material: T-connector: die-cast aluminum
designLINE T-connector: painted (RAL 9006)
 Fastening material: steel, galvanized

Scope of delivery: Set incl. fastening material (FS)



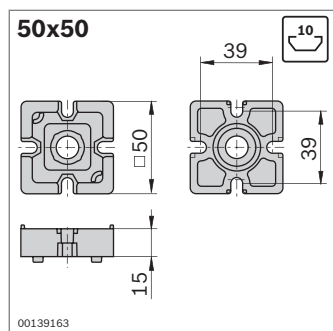
Type	F_{max}	M_{max}
45x45	9000 N	200 Nm



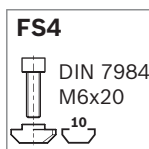
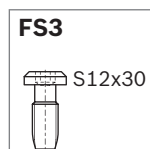
T-connector	Slot	ESD No.	FS
45x45 Set (standard)	10	3 842 520 802	1xFS3, 2xFS4
<i>designLINE</i> set	10	3 842 538 698	1xFS3, 2xFS4

Material: T-connector: diecast zinc
designLINE T-connector: painted (RAL 9006)
 Fastening material: steel, galvanized

Scope of delivery: Set incl. fastening material (FS)



Type	F_{max}	M_{max}
50x50	10,000 N	170 Nm



T-connector	Slot	ESD No.	FS
50x50 Set (standard)	10	3 842 532 198	1xFS3, 2xFS4

Material: T-connector: diecast zinc
 Fastening material: steel, galvanized

Scope of delivery: Set incl. fastening material (FS)