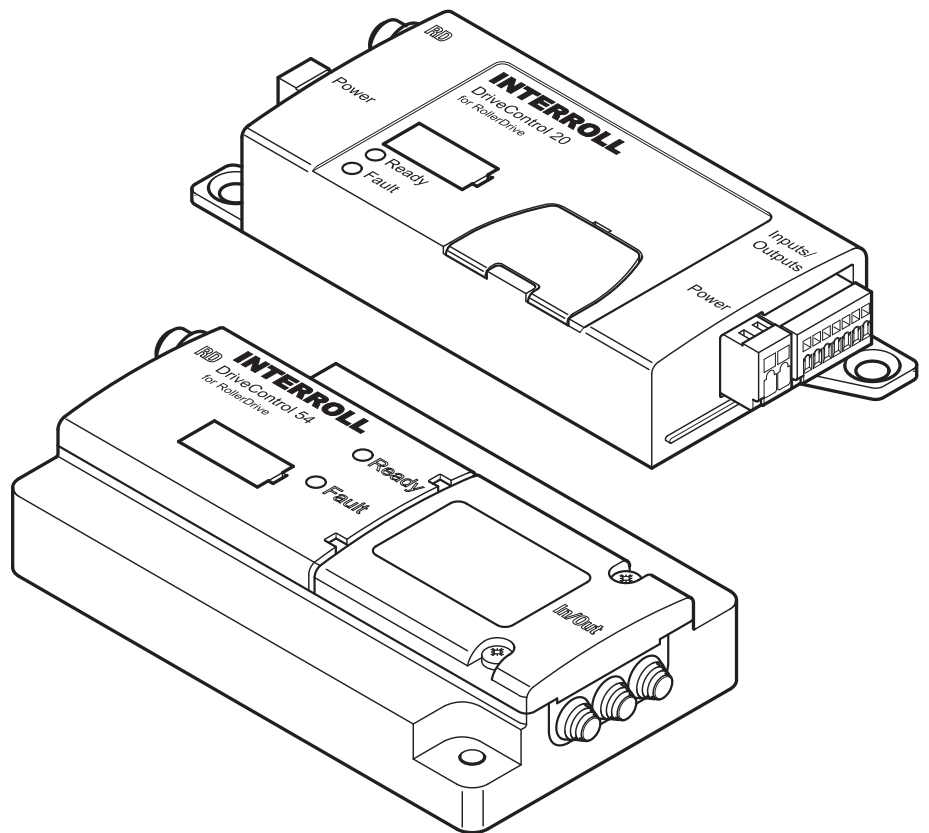




WE MAKE THE WORLD MOVE



User manual

Interroll DriveControl

DriveControl 20

DriveControl 54

Manufacturer's address

Interroll Engineering GmbH
Hoeferhof 16
D-42929 Wermelskirchen
Tel. +49 2193 23 0
Fax. +49 2190 2022
www.interroll.com

Copyright

The copyright of this manual remains with Interroll Engineering GmbH. The operating instructions contain technical regulations and drawings which may not be reproduced partially or in full, transmitted by any means, utilized without permission for competitive purposes or disclosed to third parties.

Table of contents

Introduction	
Information about the operating instructions	2
Warnings in this manual	2
Further symbols	3
Safety	
General safety instructions	4
Intended use	4
Unintended use	4
Qualified persons	4
Dangers	5
Interfaces to other devices	5
Operating modes	6
Product information	
Product description	7
Components	9
Scope of delivery	10
Label	10
Technical Data	11
Meaning of the LEDs	11
DIP switches	12
Dimensions	13
Transport and storage	
Ambient conditions for transport and storage	14
Transport	14
Storage	14
Assembly	
Warning notices concerning assembly	15
Warning notices for the electrical installation	15
Installing the DriveControl 20/54 in a conveyor system	16
Electrical installation	16
Inputs and outputs	18
Wiring diagrams	20
Initial startup and operation	
Commissioning	23
Operation	24
Maintenance and cleaning	
Warnings concerning maintenance and cleaning	26
Maintenance	26
Cleaning	26
Troubleshooting	
Troubleshooting	27
Abandonment and disposal	
Abandonment	28
Disposal	28
Appendix	
Electrical data of connections	29
Installation Declaration	32

Introduction

Information about the operating instructions

Contents

This manual contains important advice, notes and information about the DriveControl 20/54 in all phases of its lifecycle:

- Transport, assembly and start-up
- Safe operation, maintenance and troubleshooting, disposal
- Accessories

Validity of the manual

The manual describes the DriveControl 20/54 as it is delivered by Interroll.

In addition to this manual, special contractual agreements and technical documents apply to special versions.

The manual is part of the product

- For trouble-free, safe operation and warranty claims, read the manual and follow the instructions before handling the DriveControl 20/54.
- Keep the manual near to the DriveControl 20/54.
- Pass the manual on to any subsequent operator or occupant of the DriveControl 20/54.
- Interroll does not accept any liability for malfunctions or defects due to non-observance of this manual.
- If you have any questions after reading the operation manual, feel free to contact our customer service. See the last page for your local contact.

Warnings in this manual



The warnings in this document refer to risks which may arise while using the DriveControl 20/54. For relevant warnings, see "Safety", page 4 and the warnings at the beginning of each chapter.

There are three categories of danger. The following signal words are used in the document as required:

- Danger
- Warning
- Caution

Signal word	Meaning
Danger	Indicates a hazardous situation which, if not avoided, will result in death or serious injury.
Warning	Indicates a hazardous situation which, if not avoided, could result in death or serious injury.
Caution	Indicates a hazardous situation which, if not avoided, may result in minor or moderate injury.

Structure of warnings

	 DANGER
<p>Nature and source of the hazard Possible consequence of non-observance</p> <p>➤ Information about how to avoid the hazard.</p>	

Introduction

Further symbols

NOTICE

This symbol identifies possible material damage.
➤ Information about how to avoid damage.



This symbol displays safety instructions.



This symbol marks useful and important information.

➤ This symbol marks the steps that have to be carried out.

Safety

General safety instructions

The DriveControl 20/54 is designed according to the technical state of the art and is reliable in operation, once distributed. However, risks may still arise.

- Risks of physical injury to the user or bystanders.
- Adverse effects of the DriveControl and other material.



Disregarding the warnings in this manual may lead to serious injury.

- Always read the entire operating and safety instructions before starting to work with the DriveControl and follow the information contained herein in full.
- Only instructed and qualified persons may work with the DriveControl.
- Always keep this user manual at hand when working on the DriveControl so that you can consult it quickly if required.
- Always comply with relevant national safety regulations.
- If you have any questions after reading this user manual, feel free to contact our customer service. See the last page for contact information.

Intended use

The DriveControl 20/54 may only be used for industrial applications and in an industrial environment to control a RollerDrive EC310. It must be integrated in a conveyor module or a conveying system. Any other use is not permitted.

Any changes that affect the safety of the product are not allowed.

The DriveControl 20/54 may only be used within the given operation limits.

Unintended use

Applications not according to the intended use of the DriveControl 20/54 require approval from Interroll.

Qualified persons

Qualified persons are persons who read and understand the manual and, taking national regulations into account, can competently execute incidental work.

Only instructed and qualified persons may work with the DriveControl, taking the following into account:

- the relevant manuals and diagrams,
- the warning and safety instructions in this manual,
- the system specific regulations and requirements,
- national or local regulations and requirements for safety and accident prevention.

Safety

Dangers



The following list informs you about the various types of danger or damage that may occur while working with the DriveControl 20/54.

- Persons**
 - Maintenance or repair work must only be executed by authorized and qualified persons in accordance with the applicable regulations.
 - Before using the DriveControl, ensure that no unauthorized persons are near the conveyor.
- Electricity**
 - Only operate the DriveControl with control voltage complying with the requirements of EN 60401-1, PELV.
 - Only perform installation and maintenance work after you have switched off the power.
 - Ensure that the power cannot be turned on accidentally.
- Working environment**
 - Do not use the DriveControl in explosive environments.
 - Always remove materials and objects which are not required from the work area.
- Malfunctioning during operation**
 - Regularly check the DriveControl for visible damage.
 - In case of fumes, turn off the power at once and ensure that it cannot be turned on accidentally.
 - Contact qualified personnel immediately to find the source the malfunction.
- Maintenance**
 - As the product is maintenance free, you only need to check the DriveControl regularly for visible damage and that all leads and screws are still tightened.
- Accidental motor starts**
 - Exercise caution when installing or maintaining the DriveControl 20/54, or when it requires troubleshooting, since a start signal may accidentally be triggered and a connected motor could unintentionally start.

Interfaces to other devices

By assembling the DriveControl in a conveyor module, further hazards may occur. These hazards are not part of this manual and have to be analyzed during the design, installation and startup of the conveyor module.

- After assembling the DriveControl in a conveyor module, check the whole system for a new potential dangerous spot before switching on the conveyor.



Safety

Operating modes

- Normal mode** Operation of the installed device at the end customer's as a component in a conveyor in a complete system.
- Special mode** All operating modes which are required to guarantee and maintain safe and normal operation.

Special operating mode	Explanation	Comment
Transport/Storage	Loading and unloading, transport and storage	-
Assembly/Initial start-up	Installation at the end customer's and performing the test run	When de-energized
Cleaning	External cleaning	When de-energized
Maintenance/Repairs	Maintenance and inspection tasks	When de-energized
Troubleshooting	Troubleshooting in the event of a fault	When de-energized
Fault elimination	Eliminating the fault	When de-energized
Shut-down	Dismantling from the conveyor	When de-energized
Disposal	Disposal of DriveControl and packaging	-

Product information

Product description

The DriveControl 20/54 is intended to control the speed and rotation direction of the RollerDrive EC310.

Functions

- **Regenerative braking:** As soon as the start signal to the DriveControl is switched off, the electrical motor of the RollerDrives acts as a generator and feeds back energy into the DriveControl. The DriveControl has a built in brake chopper (load resistor) to limit the regenerative current and the voltage rise to a safe limit.
- **Diagnostics:** LEDs indicate the operating condition of the DriveControl and the RollerDrive and the operating voltage (see "*Meaning of the LEDs*", page 11). An error signal can also be output.

Energy feedback

When the speed of a rotating RollerDrive is abruptly reduced (e. g. by taking away or reducing the start signal at the DriveControl), the RollerDrive briefly rotates further (depending on the weight of the conveyed goods being stopped) and thus functions as a generator. The voltage generated in this way increases supply voltage of the RollerDrive. This increased voltage is partly fed to the DC supply (to max. 30 V) and partly converted to heat via a brake chopper resistance on the DriveControl. The regenerated power is then available for other consumers. The more precisely 24 V are complied to in the voltage supply the greater the voltage range in which the DC network can be fed back to.

Temperature protection

The brake chopper resistor is temperature-controlled. If because of specific application properties (e. g. high conveying weight or high conveying speed) the brake chopper resistance is frequently switched, the DriveControl switches off when it becomes too hot (approx. 90 °C inner temperature). During active temperature protection, this state is indicated by the LEDs and no start signal is transmitted any more to the RollerDrive. When the DriveControl has cooled down the RollerDrive restarts automatically when a signal is present. Cooling down is quicker when the DriveControl has been mounted on a flat surface, optimally on metal.

NOTICE

DriveControl defect from overheating

- Do not implement a voltage reset when temperature protection is active.

Lock period for signal modifications

The following signals are protected by the firmware to ensure functionality with flank-instable or bouncing levels. This means that after a signal has been modified the next signal modification is processed after 20 ms only.

- DIP switches SPEED A, SPEED B, SPEED C, SPEED D, DIR
- Inputs RollerDrive error, SPEED A, SPEED B, SPEED C, DIR

Product information

Speed settings

The speed of the RollerDrive can be set with the DriveControl in two ways:

- internally via four DIP switches with 15 levels (is handled with priority and enables finer setting levels)
- externally via three digital inputs with eight levels (speed modifications are also possible in running operation, whereby a form of ramp function can be implemented with corresponding switching of a PLC)

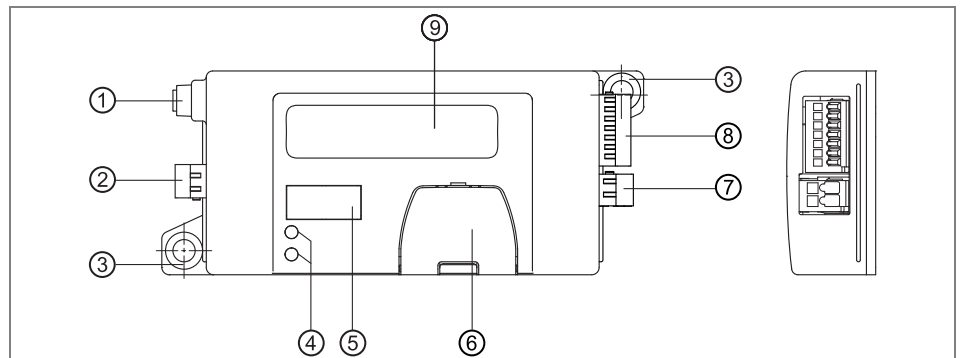
This speed setting is converted to an analogue control voltage by the DriveControl and output by the RollerDrive as a reference setting. This reference setting is independent of the RollerDrive gears and their diameter.

For setting speed, see *"Operation"*, page 24.

The acceleration and braking behaviour of the RollerDrive is defined by its own moment of inertia, the gears used, the conveying speed, the moment of inertia of the connected roller drives, the selected torque transmission and the goods transported.

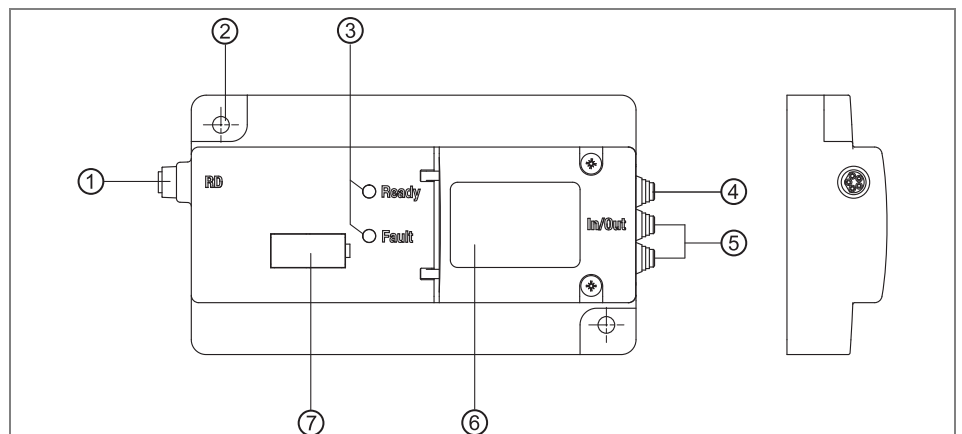
Product information

Components



DriveControl 20

- | | |
|---|--------------------------------|
| ① RollerDrive connector | ⑤ Marker (changeable) |
| ② Power supply connection | ⑥ Cover for DIP switches |
| ③ Mounting link with hole for countersunk screw | ⑦ Power supply connection |
| ④ LED red and green | ⑧ Connection of inputs/outputs |
| | ⑨ Label |



DriveControl 54

- | | |
|--|---|
| ① RollerDrive connector | ⑤ Lead-in for power supply connection |
| ② Mounting holes | ⑥ Cover for DIP switches and for power supply terminals and input/output terminals; label |
| ③ LED red and green | ⑦ Marker (changeable) |
| ④ Lead-in for connection of inputs/outputs | |

For detailed description of connections see *"Inputs and outputs"*, page 18.

Product information

Scope of delivery

DriveControl 20

The scope of delivery of the DriveControl 20 contains the following parts:

- DriveControl
- Mating plug for power supply (WAGO 734-102/xxx-xxx)
- Mating plug for inputs/outputs (WAGO 733-107/xxx-xxx)
- Spare tool for power supply mating plug (black)
- Spare tool for inputs/outputs mating plug (yellow)

DriveControl 54

The scope of delivery of the DriveControl 54 contains the following parts:

- DriveControl

Label

The specifications on the label are used to identify the DriveControl.



DriveControl 20

① Manufacturer	④ Manufacturer's address
② Product name	⑤ Article number
③ Week and year of production	⑥ Serial number



DriveControl 54

① Article number	③ Manufacturer's address
② Week and year of production	④ Serial number

Product information

Technical Data

Rated voltage	24 V DC
Voltage range	19 to 26 V DC (reverse-polarity protection to 30 V)
Current consumption	with RollerDrive: to 5 A without RollerDrive: 0.5 A
Protection classification	DriveControl 20: IP20 DriveControl 54: IP54
Cooling	Convection
Permissible ambient temperature in operation	DriveControl 20: 0 °C to 40 °C (32 °F to 104 °F) DriveControl 54: -28 °C to 40 °C (-18 °F to 104 °F)
Permissible ambient humidity	5 to 95 %, condensation not permissible
Installation height above sea level	max. 1000 m (max. 3300 ft)

Meaning of the LEDs

The LEDs indicate the operating condition of the DriveControl and the RollerDrive and the operating voltage.

LED green	LED red	Meaning	Operating voltage
on steady	out	DriveControl ready for operation	19 to 26 V
flashing	out	RollerDrive rotates / is controlled	19 to 26 V
out	on steady	fuse in DriveControl defective	
out	flashing slowly ¹⁾	operating voltage too low or too high or RollerDrive-ERROR is active or RollerDrive is not connected	below 18 V or above 26 V
out	flashing quickly ²⁾	shutdown due to excessive temperature in chopper resistance	

¹⁾ LED flashing slowly = 0.5 s on - 1.5 s off

²⁾ LED flashing quickly = 0.5 s on - 0.5 s off

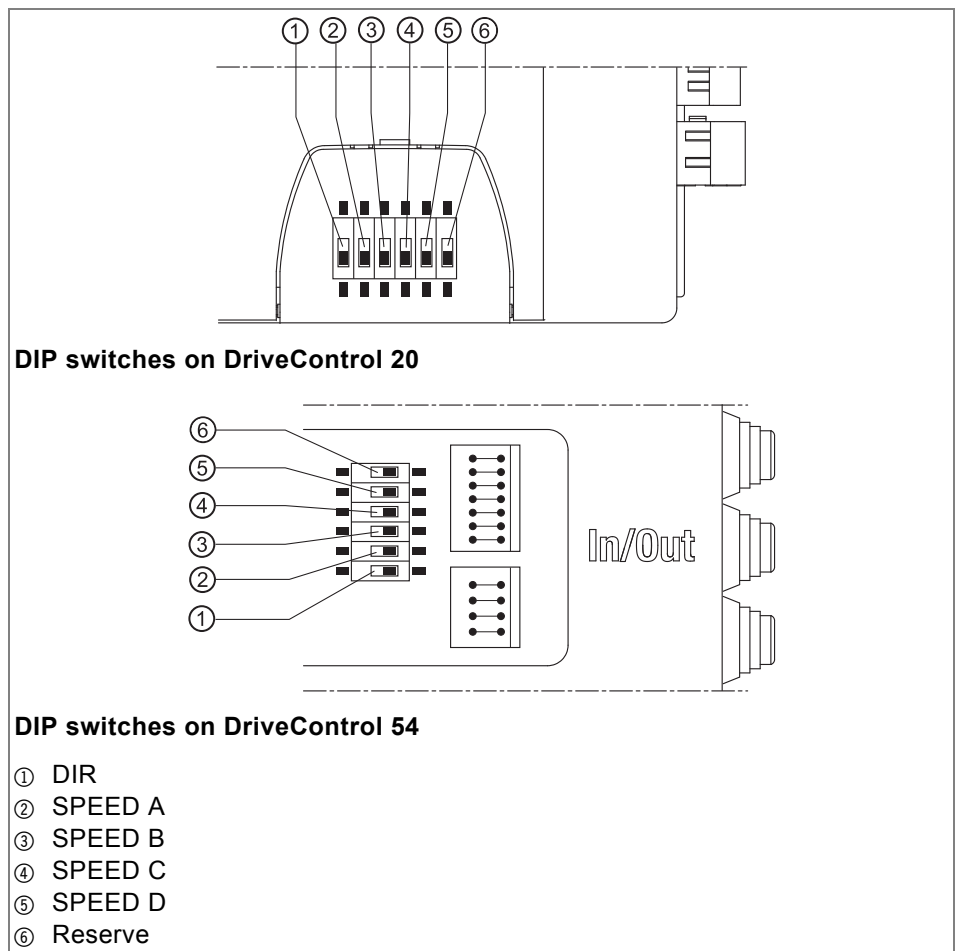
Product information

DIP switches

The DIP switches enable selection of the speed and direction of transport. In state of delivery the DIP switches DIR and Reserve are OFF and the DIP switches SPEED A, B, C, D are switched to ON.

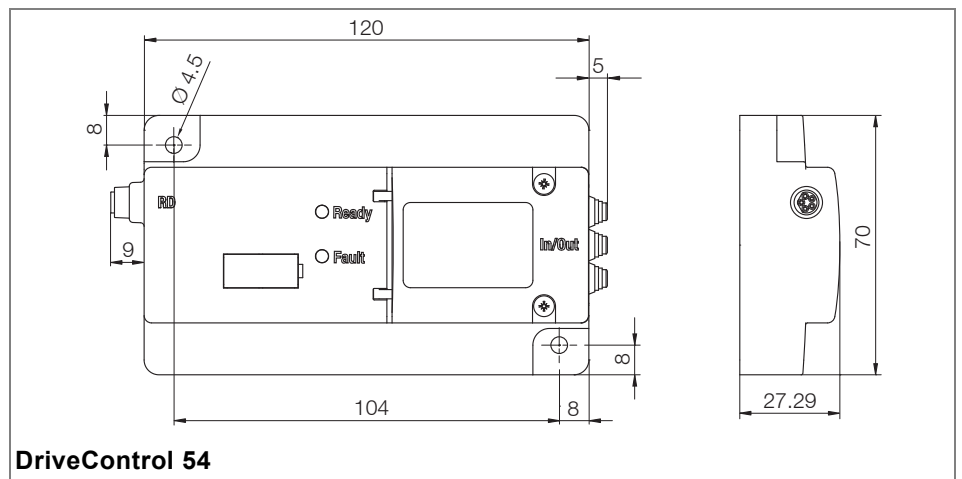
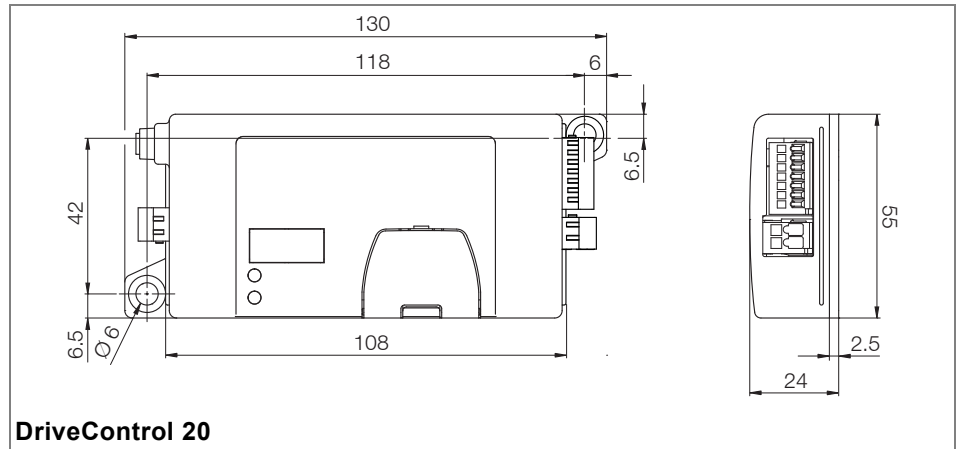
DIP switches	ON	OFF
DIR	Rotation direction of RollerDrive in clockwise direction (seen from the connection cable side) *	Rotation direction of RollerDrive in anticlockwise direction (seen from the connection cable side) *
SPEED A, B, C, D	Speed setting (see "Operation", page 24)	
Reserve	not occupied	

* The rotation direction is reversed when the input DIR is switched.



Product information

Dimensions



Transport and storage

Ambient conditions for transport and storage

Permissible ambient temperature	-40 °C to 85 °C (-40 °F to 185 °F)
Permissible relative humidity	5 to 95 % Condensation not permissible.

Transport

- Every DriveControl is packaged in its own cardboard box.



CAUTION

There is a risk of injury if transported incorrectly

- Only qualified and authorized persons should transport the product.
- Follow the instructions below.
- Do not stack more than four cardboard boxes on top of each other.
- Check that the DriveControls are correctly fixed prior to transport.
- Avoid serious impacts during transport.
- Check every DriveControl for visible damage and completeness (mating plugs and spare tools) following transport (see "Scope of delivery", page 10).
- In the event of damage, take photos of the damaged parts.
- Report any damage caused by transport immediately to the transport company and Interroll to retain the right to claim for compensation.
- Do not expose the DriveControls to serious fluctuations in temperature as this could lead to condensation.

Storage



CAUTION

Risk of injury due to improper storage

- Do not stack more than four cardboard boxes on top of each other.
- Check each DriveControl for damage after storage.

Assembly

Warning notices concerning assembly

NOTICE

Risk of damage leading to failure or shortened life expectancy of the DriveControl

- Follow the instructions below.

- Do not drop or mishandle the DriveControl to avoid internal damage.
- Check each DriveControl visually for damage before assembly.

Warning notices for the electrical installation

NOTICE

Risk of damage to the DriveControl

- Observe the following safety information.

- All electrical work should only be performed by qualified and authorized persons.
- Disconnect the power before installing, removing or rewiring the DriveControl.
- Ensure that both during operation and in case of errors no hazardous voltage can access the connections or the housing.
- Do not apply AC current to the RollerDrive or DriveControl at any time, as this will cause irreparable damage to the device.
- Do not use earth connection as protective conductor (PE).
- Do not apply too much tension or pressure stress to the motor connector. Bending the cables at the connector can cause damage to the cable insulation, which could result in failure of the DriveControl or the RollerDrive.
- Only use cables dimensioned sufficiently for the application.
- Ensure that current load at each terminal or terminal block does not exceed 10 A.
- Ensure that the switching power supply unit supplying the DriveControl supplies a nominal DC voltage of 24 V with maximum deviation of $\pm 8\%$.
- Ensure that the RollerDrive, the DriveControl and the voltage source are connected to the conveyor frame or supporting structure so that they are properly earthed. Incorrect earthing can result in the build-up of static charge, causing the motor or DriveControl to malfunction or fail prematurely.
- Only use the specified mating plug (see "*Inputs and outputs*", page 18) and the spare tool supplied.
- Only activate the operating voltage when all conductors are connected.

Assembly

Installing the DriveControl 20/54 in a conveyor system

- Locate a flat surface for mounting the DriveControl.
- Use the DriveControl as a template and mark the centre of both mounting holes. For the distance between the holes, see *"Dimensions"*, page 13.
- Drill two \varnothing 5.6 - 6 mm (0.22 - 0.24 in) mounting holes at the marked spots.
- Fasten the DriveControl.
- Ensure that the housing is not distorted.

Electrical installation



The DriveControl is equipped with an internal, non-replaceable fuse intended exclusively for device protection. Protection of the supply cables must be ensured by the operator.

DriveControl 20

Required conductors:

Connection	Conductor cross-section
Inputs/outputs	fine-strand: 0.08 to 0.5 mm ²
	fine-strand with end-splice: 0.25 to 0.34 mm ²
	AWG: 28 to 20
	Stripped length: 5 to 6 mm
Power supply	fine-strand, H05(07) V-K: 1,5 mm ²
	(optionally with end-splice according to DIN 46228/1)
	AWG: 16
	Stripped length: 6 to 7 mm

- Prepare wire ends according to the recommendations of the contact manufacturer.
- Insert the input/output wires into the mating plug with the yellow spare tool (see *"Inputs and outputs"*, page 18).
- Insert the power supply wires into the mating plug with the black spare tool.
- Insert the mating plug into the DriveControl.
- If necessary, set the DIP switches according to requirements (see *"Operation"*, page 24).
- Insert the plug of the RollerDrive so that with the DriveControl the "RD" labelling can be read and the "EC310" labelling is to the rear, i.e. cannot be read.

Assembly

DriveControl 54

Required conductors:

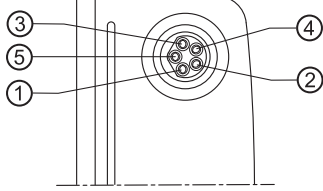
Connection	Conductor
Inputs/outputs	fine-strand: 0.08 to 0.5 mm ² fine-strand with end-splice: 0.25 mm ² AWG: 28 to 20 Stripped length: 5 to 6 mm
Power supply	fine-strand, H05(07) V-K: 1,5 mm ² (optionally with end-splice according to DIN 46228/1) AWG: 16 Stripped length: 8 mm

- Prepare wire ends according to the recommendations of the contact manufacturer.
- Unscrew the two yellow cover screws of the connection area.
- Open the cable bushings to the connection area according to the cables used.
- Route the cable through.
- Connect the conductors for inputs and outputs (for inputs and outputs see *"DriveControl 54", page 19*). For this purpose push the white slide to the right (in the direction of the cable bushes), insert the conductor and push the slide back.
- Connect the conductors for operating voltage (for connections see *"DriveControl 54", page 19*). For this purpose push the white button downwards and insert the conductor.
- Enable cable strain relief.
- If necessary, set the DIP switches according to requirements (see *"Operation", page 24*).
- Close the cover and fasten both screws.
- Visually inspect the connection area to ensure that IP54 protection exists.
- Insert the plug of the RollerDrive so that with the DriveControl the "RD" labelling can be read and the "EC310" labelling is to the rear, i.e. cannot be read.

Assembly

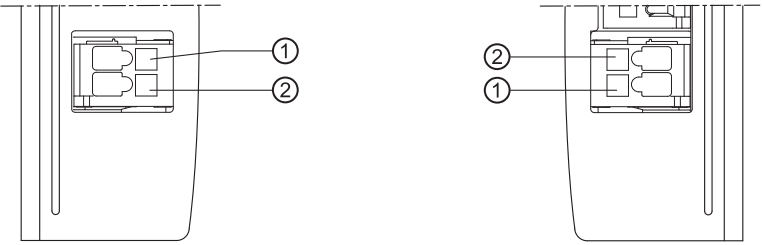
Inputs and outputs

DriveControl 20



Connection RollerDrive: 8 mm snap-in, 5 poles, contact configuration according to DIN EN 61076-2

① +24 V DC	④ Input for fault
② Output for rotation direction	⑤ Output for speed
③ Earth	



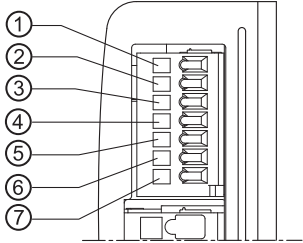
Power supply connection

Mating plug: WAGO 734-102/xxx-xxx

① +24 V DC	② GND (Earth)
------------	---------------



The power supply connection is double in order to connect the power supply from the most convenient side during installation. Both connections are directly interconnected internally. The power supply can be implemented with a DriveControl so that a maximum of two DriveControls can be connected in sequence.



Connection of inputs/outputs

Mating plug: WAGO 733-107/xxx-xxx

① COMMON GND (Common signal earth)	⑤ SPEED C (Input for speed setting)
② 24 V EXT (Power supply for signal ERROR)	⑥ SPEED B (Input for speed setting)
③ ERROR (Output for fault)	⑦ SPEED A (Input for speed setting)
④ DIR (Rotation direction)	

Assembly

DriveControl 54

Connection RollerDrive: 8 mm snap-in, 5 poles, contact configuration according to DIN EN 61076-2

① +24 V DC	④ Input for fault
② Output for rotation direction	⑤ Output for speed
③ Earth	

Connection of inputs/outputs

① COMMON GND (common signal earth)	⑤ SPEED C (Input for speed setting)
② 24 V EXT (Power supply for signal ERROR)	⑥ SPEED B (Input for speed setting)
③ ERROR (Output for fault)	⑦ SPEED A (Input for speed setting)
④ DIR (Rotation direction)	

Power supply connection

① GND (Earth)	③ GND (Earth)
② +24 V DC	④ +24 V DC



The power supply connection is double. Both connections are directly interconnected internally. The power supply can be implemented with a DriveControl so that a maximum of two DriveControls can be connected in sequence.

The electrical data of each connection are specified in the appendix (see "Electrical data of connections", page 29).

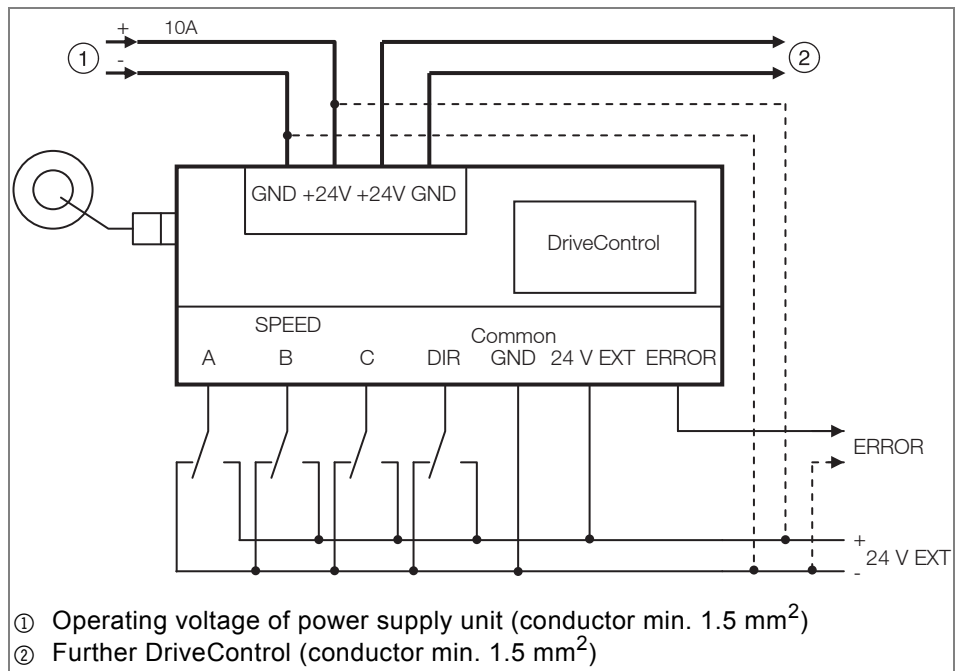
Assembly

Wiring diagrams

The signals SPEED A, SPEED B, SPEED C, DIR and ERROR are completely electrically isolated from the operating voltage via optocouplers. The output signal ERROR additionally requires the external voltage 24 V EXT. The common earth connection of signals SPEED A, SPEED B, SPEED C, DIR and ERROR is COMMON GND.

If electrical isolation is not required, the 24 V connections (power supply) can be connected with 24 V EXT (inputs/outputs) and GND (power supply) can be connected with COMMON GND (inputs/outputs).

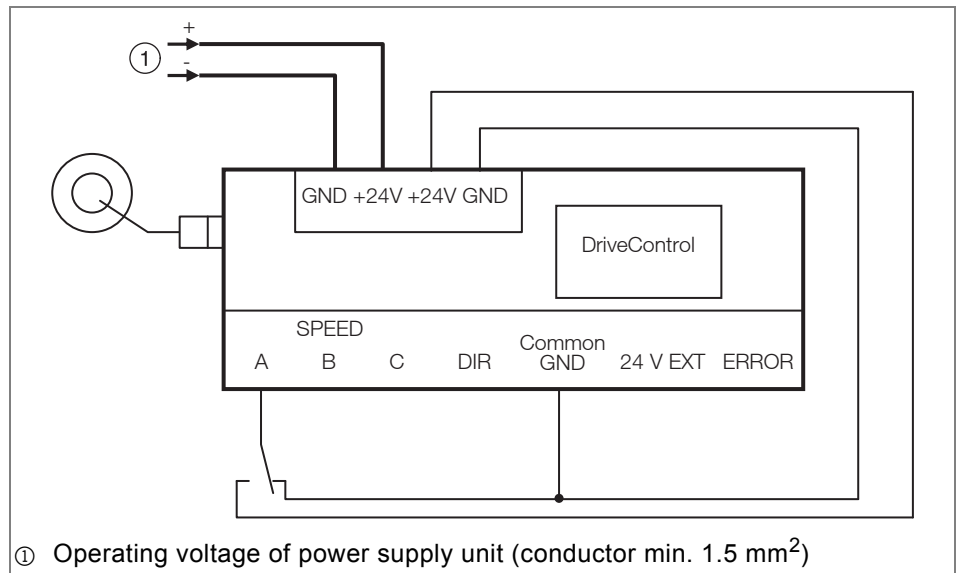
Basic circuit



The dotted conductors are only used if electrical isolation is not required between the inputs/outputs and the operating voltage.

Assembly

Minimum circuit



- This switching enables the specification of the nominal values for speed and rotation direction via the internal DIP switches.
- The error signal is not used, faults are only displayed via the red LED.
- Start and stop can be controlled by changing the level at the SPEED A connection.
- The DriveControl or RollerDrive must not be switched on or off via the activation or deactivation of the DriveControl power supply; this may only be implemented via the start signal (SPEED A, B, C).

Assembly

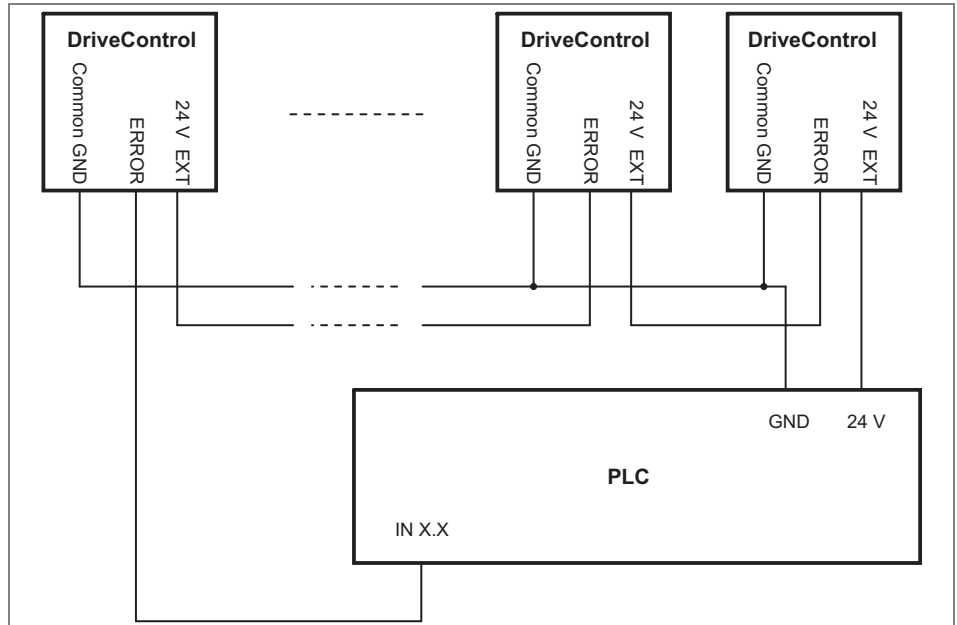
Error signal connection

To evaluate the error signal, the input 24 V EXT must be supplied with a voltage of 24 V DC.

- Connect input 24 V EXT with the operating voltage.

The error signal of a maximum of six DriveControls can be linked via series switching. The logic level "no error" is hereby reduced by 1.1 V per DriveControl.

- Connect output ERROR of the previous DriveControl with the input 24 V EXT of the following DriveControl.



When operating voltage is disconnected, the ERROR output switches to the error condition. This ensures correct display of faults when the error signal of several DriveControl has been linked and the operating voltage of a DriveControl is switched off or if a cable defect (e.g. loosened contact, cable rupture) occurs.

When operating voltage is switched on, the error signal is active until the internal microcontroller assumes control. If no error exists, the error signal is cancelled approx. 400 ms after activating the operating voltage.

Initial startup and operation

Commissioning

Pre-commissioning checks



- Ensure that the DriveControl has been correctly fastened to the profile and that all screws have been correctly tightened.
- Ensure that there are no additional areas of danger caused by interfaces to other components.
- Ensure that the wiring is in accordance with the specification and legal directives.
- Check all protection devices.
- Ensure that no personnel stand in hazardous areas near the conveyor.

Pre-commissioning checks

- Check the DriveControl for visible damage.
- Check the DIP switch settings (*see "DIP switches", page 12*).
- Check all protection devices.
- Clearly specify and monitor the way goods are placed on the conveyor.
- Ensure that the RollerDrive is not blocked.
- Ensure that no personnel stand in hazardous areas near the conveyor.

Initial startup and operation

Operation

	 CAUTION
Accidental start-up of the RollerDrive	
Danger of crushing of limbs and damage to conveying goods	
➤ Before switching on the operating voltage, ensure that no unauthorized persons are near the conveyor.	



Ambient conditions during operation see "Technical Data", page 11

Internal speed setting at the DriveControl

Precondition: The external inputs SPEED A, B, C are logically inactive.

- Set the required speed with the DIP switches (see table).
- Switch one of the inputs SPEED A, B, C to logical active to start the RollerDrive.
The RollerDrive rotates with the set speed.
- To stop the RollerDrive, switch all inputs SPEED A, B, C to logical inactive.

Setting of the SPEED DIP switch on the DriveControl				Speed at gear ratio								
				m/s								
A	B	C	D	4:1	9:1	12:1	16:1	24:1	36:1	48:1	64:1	96:1
on	on	on	on	3.93	1.75	1.31	0.98	0.65	0.44	0.33	0.25	0.16
on	on	on	off	3.66	1.63	1.22	0.92	0.61	0.41	0.31	0.23	0.15
on	on	off	on	3.39	1.51	1.13	0.85	0.57	0.38	0.28	0.21	0.14
on	on	off	off	3.13	1.39	1.04	0.78	0.52	0.35	0.26	0.20	0.13
on	off	on	on	2.86	1.27	0.95	0.72	0.48	0.32	0.24	0.18	0.12
on	off	on	off	2.59	1.15	0.86	0.65	0.43	0.29	0.22	0.16	0.11
on	off	off	on	2.33	1.03	0.78	0.58	0.39	0.26	0.19	0.15	0.10
on	off	off	off	2.06	0.92	0.69	0.52	0.34	0.23	0.17	0.13	0.09
off	on	on	on	1.80	0.80	0.60	0.45	0.30	0.20	0.15	0.11	0.07
off	on	on	off	1.53	0.68	0.51	0.38	0.25	0.17	0.13	0.10	0.06
off	on	off	on	1.26	0.56	0.42	0.32	0.21	0.14	0.11	0.08	0.05
off	on	off	off	1.00	0.44	0.33	0.25	0.17	0.11	0.08	0.06	0.04
off	off	on	on	0.73	0.32	0.24	0.18	0.12	0.08	0.06	0.05	0.03
off	off	on	off	0.46	0.21	0.15	0.12	0.08	0.05	0.04	0.03	0.02
off	off	off	on	0.20	0.09	0.07	0.05	0.03	0.02	0.02	0.01	0.01
off	off	off	off	Corresponding to the signals at the inputs SPEED A, B, C								

Initial startup and operation

External speed setting via digital inputs

Precondition: All DIP switches SPEED A, B, C, D are switched to OFF.

- Switch the external inputs SPEED A, B, C to logically active or inactive according to the table below to start the RollerDrive with the required speed.
- To modify the speed, correspondingly modify the signals at the inputs SPEED A, B, C.
- To stop the RollerDrive, switch all inputs SPEED A, B, C to logical inactive.



The internal speed setting has priority. If during external speed setting one or several internal DIP switches are switched from SPEED A, B, C, D to ON, the RollerDrive rotates with this internally set speed, independent of signals from the external inputs. When all internal DIP switches SPEED A, B, C, D are set to OFF, the RollerDrive rotates again with the speed set via the external inputs.

inputs SPEED at the DriveControl *			Speed at gear ratio								
A	B	C	m/s								
			4:1	9:1	12:1	16:1	24:1	36:1	48:1	64:1	96:1
H	H	H	3.93	1.75	1.31	0.98	0.65	0.44	0.33	0.25	0.16
H	H	L	3.31	1.47	1.10	0.83	0.55	0.37	0.28	0.21	0.14
H	L	H	2.68	1.19	0.89	0.67	0.45	0.30	0.22	0.17	0.11
H	L	L	2.06	0.92	0.69	0.52	0.34	0.23	0.17	0.13	0.09
L	H	H	1.44	0.64	0.48	0.36	0.24	0.16	0.12	0.09	0.06
L	H	L	0.82	0.36	0.27	0.20	0.14	0.09	0.07	0.05	0.03
L	L	H	0.20	0.09	0.07	0.05	0.03	0.02	0.02	0.01	0.01
L	L	L	0	0	0	0	0	0	0	0	0

* H = logically active; L = logically inactive

Maintenance and cleaning

Warnings concerning maintenance and cleaning



CAUTION

Risk of injury due to improper handling or accidental motor starts

- Maintenance work and cleaning may only be executed by qualified and authorized persons.
- Only perform maintenance work after switching off the power. Ensure that the DriveControl cannot be turned on accidentally.
- Set up signs indicating maintenance work.

Maintenance

Inspecting the DriveControl

The DriveControl itself is maintenance-free. For avoidance of faults however, regular inspection of the connections and fixings is required.

- As part of the regular control and maintenance work on the conveyor, ensure that the screws of the DriveControl are still tight and that the cables are still laid properly and connected to the terminals.

Replacing the DriveControl

If a DriveControl is damaged, it has to be replaced.

- Install a new DriveControl (see "Abandonment", page 28 and see "Installing the DriveControl 20/54 in a conveyor system", page 16).

Cleaning

Dust and dirt in combination with humidity may bridge the electric circuit. Therefore, in a dirty environment, periodic cleaning will help to avoid short-circuits which could damage the DriveControl.



CAUTION

Risk of damage to the DriveControl due to incorrect cleaning

- Do not immerse the DriveControl in liquids.
- Do not use cleaning agents.

- Clean away dust and soiling if necessary.
- For more thorough cleaning, disconnect the DriveControl from the power supply, remove (see "Abandonment", page 28), and wipe over with a damp cloth.

Troubleshooting

Troubleshooting

Symptom	Possible cause	Help
DriveControl does not function or functions incorrectly	No power supply	<ul style="list-style-type: none"> ➤ Check whether the output voltage of the power supply is within the specified voltage range. ➤ Inspect the connections and correct if necessary.
	Wrong position of the DIP switches	<ul style="list-style-type: none"> ➤ Check and if necessary correct the position of the DIP switches (see "<i>DIP switches</i>", page 12).
DriveControl defective or damaged	Internal fuse triggered or defective.	<ul style="list-style-type: none"> ➤ Replace the DriveControl.

The error signal is switched with the following faults:

- RollerDrive error
- RollerDrive is not connected
- Fuse defective
- Permissible operating voltage range has been exceeded or fallen below
- Operating voltage reverse connected
- Chopper resistance overheated

Abandonment and disposal

Abandonment



CAUTION

Risk of injury due to improper handling

- Abandonment may only be executed by qualified and authorized persons.
- Only abandon the DriveControl after switching off the power. Ensure that the DriveControl cannot be turned on accidentally.

- Disconnect all cables from the DriveControl.
- Unscrew the screws attaching the DriveControl to the conveyor frame.
- Extract the DriveControl from the conveyor frame.

Disposal

The operator is responsible for the proper disposal of the DriveControl. In doing so, industry-specific and local provisions must be observed for the disposal of the DriveControl and its packaging.

Appendix

Electrical data of connections

Connection of inputs/outputs

Input 24 V (pin 2)

Properties	electrically isolated	
Dielectric strength	max. 500 V _{eff}	1 min, 50 Hz
Reverse polarity protection	max. 30 V DC	
Current consumption	max. 50 mA	must be ensured via external circuit

Output ERROR (pin 3)

Properties	electrically isolated, infeed of external voltage not permitted	
Dielectric strength	max. 500 V _{eff}	1 min, 50 Hz
Logic level with error	max. 1 V DC	external load resistance required to GND
Output current with error	max. 0.1 mA	
Logic level with no error	10 to 25 V DC	
Output current with no error	max. 50 mA	not short circuit-proof
Impedance related to COMMON GND	4.7kΩ	



The error signal can be linked by connecting the output error of a previous DriveControl with the 24 V input of a subsequent DriveControl. The logic level with "no error" is hereby reduced by 1.1 V per DriveControl.

Inputs SPEED A, SPEED B, SPEED C and DIR (pin 4 - 7)

Properties	debounced, electrically isolated	
Reverse polarity protection	max. 30 V DC	
Overvoltage protection	max. 30 V DC	permanent, absence of harmonic waves
Dielectric strength	max. 500 V _{eff}	1 min, 50 Hz
Logic level low	0 to 1 V DC	logical 0 = L = inactive
Input current low	max. 0.1 mA	
Logic level high	18 to 26 V DC	logical 1 = H = active
Input current high	2.5 to 4.5 mA	

Appendix

RollerDrive connector

Power supply (pin 1, 3)

Nominal value	24 V DC	
Voltage range	18 to 26 V DC	
Residual ripple	max. 600 mV _{pp}	
Rated current	0 to 2.3 A	
Peak current	max. 5 A	max. 250 ms > 2.3 A, time-dependent current flow triangular, duty factor ≤ 19 %
Return electric strength	max. 35 V DC	absence of harmonic waves max. 500 ms; after 500 ms the reserve voltage must be ≤ 27 V, duty factor max. 27 %

Output of rotation direction (pin 2)

Properties	not electrically isolated, short circuit-proof, infeed of external voltage not permitted	
Overvoltage protection	max. 30 V DC	
Rotation direction clockwise	max. 4 V	logical 0
Output current low	max. 1 mA	load resistance = 57 kΩ
Rotation direction anticlockwise	min. 7 V	logical 1
Output current high	max. 0.2 mA	with short circuit

Input error (pin 4)

Properties	not electrically isolated	
Reverse polarity protection	max. 30 V DC	
Max. voltage	30 V DC	
Logic level low	max. 8.5 V DC	@ 1.5 mA logical 0 = inactive = no error
Fault current low	1.5 mA max. 5 mA	
Logic level high	12 to 30 V DC	logical 1 = active = error
Fault current high	max. 0.01 mA	

Appendix

Speed output (pin 5)

Properties	not electrically isolated	
Speed operating range of motor control voltage	2.3 to 10 V DC	RollerDrive rotates
Stop range	0 to 2 V DC	RollerDrive does not rotate
Precision of motor control voltage	5 %	Motor control voltage between 2.3 and 10 V DC at 21 °C
Motor control voltage ripple	250 mV _{pp}	50 Ω
Max. load of motor control current	0.16 to 2 mA	Input resistance of RollerDrive: 66 kΩ
Modification speed	4.5 to 5 V/ms	0 - 100 % motor control voltage

Appendix

Installation Declaration

in accordance with the EC Machinery Directive 2006/42/EC, Appendix II B

The manufacturer:

Interroll Engineering GmbH
Hoeferhof 16
D - 42929 Wermelskirchen
Germany

hereby declares with sole responsibility that the product range

- DriveControl 20
- DriveControl 54

is not a ready-to-use machine as defined by the EC Machinery Directive and, therefore, does not fully comply with the requirements of this directive. The commissioning of these modules is not permitted until conformity of the entire machine/system in which they are installed has been declared in compliance with the EC Machinery Directive and the EMC directive.

The health and safety requirements as stated in Appendix I have been applied. The special technical documents as stated in Appendix VII B have been compiled and will be sent to the responsible authority if necessary.

Person authorized to compile the technical documents: Georg Malina, Interroll Engineering GmbH, Hoeferhof 16, D - 42929 Wermelskirchen

Applied EC directives:

- Machinery Directive 2006/42/EC
- RoHS Directive 2002/95/EC

Applied harmonized standards:

- EN ISO 12100 Parts 1 and 2 "Safety of machinery - Basic concepts, general principles for design" - Part 1: "Basic terminology, methodology" - Part 2: "Technical principles"

Wermelskirchen, 31st March 2010

Armin Lindholm
(Managing Director)

(This declaration can be obtained at www.interroll.com, if needed.)



Appendix



Northern Europe

Denmark

Interroll Nordic A/S
Hammerholmen 2-6
DK-2650 Hvidovre/Denmark
Tel. +45 36 88 33 33
Fax +45 36 88 33 72
dk.sales@interroll.com

Interroll Service
Tel. +45 36 88 33 88

Iceland

IBH ehf
Dugguvogur 10
104 Reykjavik
Iceland
Tel. +354 562 6858
Fax +354 562 6862
is.sales@interroll.com

Finland

Tel. +358 9 54 94 94 00
Fax +358 9 54 94 94 16
fi.sales@interroll.com

Norway

Tel. +47 32 88 26 00
Fax +47 32 88 26 10
no.sales@interroll.com

Sweden

Tel. +46 35 227077
Fax +46 35 227078
se.sales@interroll.com

Western/Southern Europe

France

Interroll S.A.S.
ZI de Kerannou
B.P. 34
F-29250 Saint Pol de Léon
Tel. +33 298 24 41 00
Fax +33 298 24 41 02
fr.sales@interroll.com

Italy

Rulli Rulmeca S.p.A.
Via A. Toscanini, 1
I-24011 Almè (Bg)
Tel. +39 035 4300111
Fax +39 035 545523
vendita@rulmeca.it

Portugal

Rulmeca Interroll de Portugal Lda
Apartado 69, Centro Civico
P-6201-909 Covilhã
Tel. +351 275 330 780
Fax +351 275 990 789
rulmeca@rulmeca-interroll.pt

Spain

Interroll España S.A.
Parc Tecnològic del Vallès
C/Dels Argenters, 5
Edificio 1, módulos Bp y Cp
E-08290 Cerdanyola del Vallès
Tel. +34 90 211 0860
Fax +34 93 586 4895
es.sales@interroll.com

United Kingdom

Interroll Ltd.
Brunel Road
Earlshires Industrial Estate
GB-Corby, Northants NN17 4UX
Tel. +44 1536 200 322
Fax +44 1536 748 515
gb.sales@interroll.com

Central Europe

Germany

Interroll Fördertechnik GmbH
Höferhof 16
D-42929 Wermelskirchen
Tel. +49 2193 23 0
Fax +49 2193 20 22
de.sales@interroll.com

Austria

Tel. +49 2193 23 187
Fax +49 2193 23 164

Belgium

Tel. +49 2193 23 131
Fax +49 2193 23 164
be.sales@interroll.com

Luxembourg

Tel. +49 2193 23 190
Fax +49 2193 23 164

Netherlands

Tel. +49 2193 23 151
Fax +49 2193 23 164

Switzerland

Tel. +49 2193 23 190
Fax +49 2193 23 164
ch.sales@interroll.com

Eastern Europe

Czech Republic

Interroll CZ, s.r.o.
Na Rádku 7/3172
CZ-69002 Břeclav
Tel. +420 519 330 210
Fax +420 519 330 211
cz.sales@interroll.com

Hungary

Tel. +36 23 337 891
Fax +36 23 337 892
hu.sales@interroll.com

Poland

Interroll Polska Sp. z o.o.
ul. Płochocińska 85
PL-03-044 Warszawa
Tel. +48 22 741 741 0
Fax +48 22 741 741 1
pl.sales@interroll.com

Slovakia

Tel. +421 2 4363 8102
Fax +421 2 4342 7294
sk.sales@interroll.com

Slovenia

Tel. +386 1 56 56 370
Fax +386 1 56 56 372

Turkey

Rol-er Makina San. Ve. Tic. Ltd. Sti.
Pembegul Sok., Dostlar Apt.
No. 12 D. 10 Suadiye
347 40 Istanbul
Turkiye
Tel. +90 216 386 37 75
Fax +90 216 386 38 22
tr.sales@interroll.com

Middle East

Israel

ComTrans-Tech Ltd.
P.O.B. 17433
Tel-Aviv 61174
Israel
Tel. +972 54 4 27 27 47
Fax +972 3 7 44 08 64
il.sales@interroll.com

Africa

South Africa

Interroll SA Pty. Ltd.
P.O. Box 327
Isando 1600
37 Director Road, Spartan Ext 2
1619
South Africa
Tel. +27 11 281 9900
Fax +27 11 252 9083
za.sales@interroll.com

North & South America

USA

Interroll Corporation
3000 Corporate Drive
USA-Wilmington, NC 28405
Tel. +1 910 799 11 00
Fax +1 910 392 38 22
us.sales@interroll.com

Canada

Interroll Components Canada Ltd.
8900 Keele Street
Unit 2 & 3
Concord, Ontario L4K 2N2
Canada
Tel. +1 905 660 4426
Fax +1 905 660 4159
ca.sales@interroll.com

Interroll Canada Ltd.

Drives & Rollers Canada
1201 Gorham Street
Newmarket Ontario L3Y 8Y2
Canada
Tel. +1 905 727 3399
Fax +1 905 727 3299
ca.sales@interroll.com

Brasil

Interroll Logística Ltda.
Rua Dom João VI, 555
Parque Industrial S/A
Pindamonhangaba-SP
CEP 12412 - 805
Brasil
Tel. +55 12 3648 8021
br.sales@interroll.com

For other countries in

South America, please contact:

Interroll España S.A.
Parc Tecnològic del Vallès
C/Dels Argenters, 5
Edificio 1, módulos Bp y Cp
E-08290 Cerdanyola del Vallès
Tel. +34 90 211 0860
Fax +34 93 586 4895
es.sales@interroll.com

Asia

China

Interroll (Suzhou) Co. Ltd.
Unit 10B, Modern Industrial Square
No. 333 Xing Pu Road
Suzhou Industrial Park
Suzhou, Jiangsu Province
People's Republic of China
Postal Code: 215126
Tel. +86 512 6256 0383
Fax +86 512 6256 0385
cn.sales@interroll.com

Japan

Interroll Japan Co. Ltd.
302-1 Shimokuzawa
Sagamihara-shi
Kanagawa 229-1134
Japan
Tel. +81 42 764 2677
Fax +81 42 764 2678
jp.sales@interroll.com

Korea

Interroll Korea Corporation
Room 301, Dongsan Bldg, 333-60
Shindang-Dong, Choong-ku
Seoul
Korea
Tel. +822 2 231 1900
Fax +822 2 254 36 83
kr.sales@interroll.com

Singapore

Interroll (Asia) Pte. Ltd.
386 Jalan Ibrahim
629156 Singapore
Republic of Singapore
Tel. +65 6266 6322
Fax +65 6266 6849
sg.sales@interroll.com

Thailand

Interroll (Thailand) Co. Ltd.
41/6 Moo 6, Bangchalong,
Bangplee
Samutprakarn 10540
Thailand
Tel. +66 2 337 0188 91
Fax +66 2 337 01 92
th.sales@interroll.com

India

Interroll Drives and Rollers India Pvt Ltd.
SF 12, KSSIDC Building, 10th Main, III Stage
Peenya Indl. Estate
Bangalore - 560058
India
Tel. +91 80 2836 4996
Fax +91 80 4117 0559
in.sales@interroll.com

Australia & New Zealand

Australia

Conveyor Solutions Australia Pty. Ltd.
70 Keon Parade
Thomastown
VIC 3073
Australia
Tel. +61 3 9460 2155
Fax +61 3 9460 2029
au.sales2@interroll.com

New Zealand

Automation Equipment (NZ) Ltd.
45 Colombo Street
Frankton
Hamilton
New Zealand
Tel. +64 7847 2082
Fax +64 7847 7160
nz.sales@interroll.com

For other countries please see contacts at

www.interroll.com