

Customer Information Sheet

DRAWING No.: S1411-XXR

SHEET 2 OF 2

IF IN DOUBT - ASK

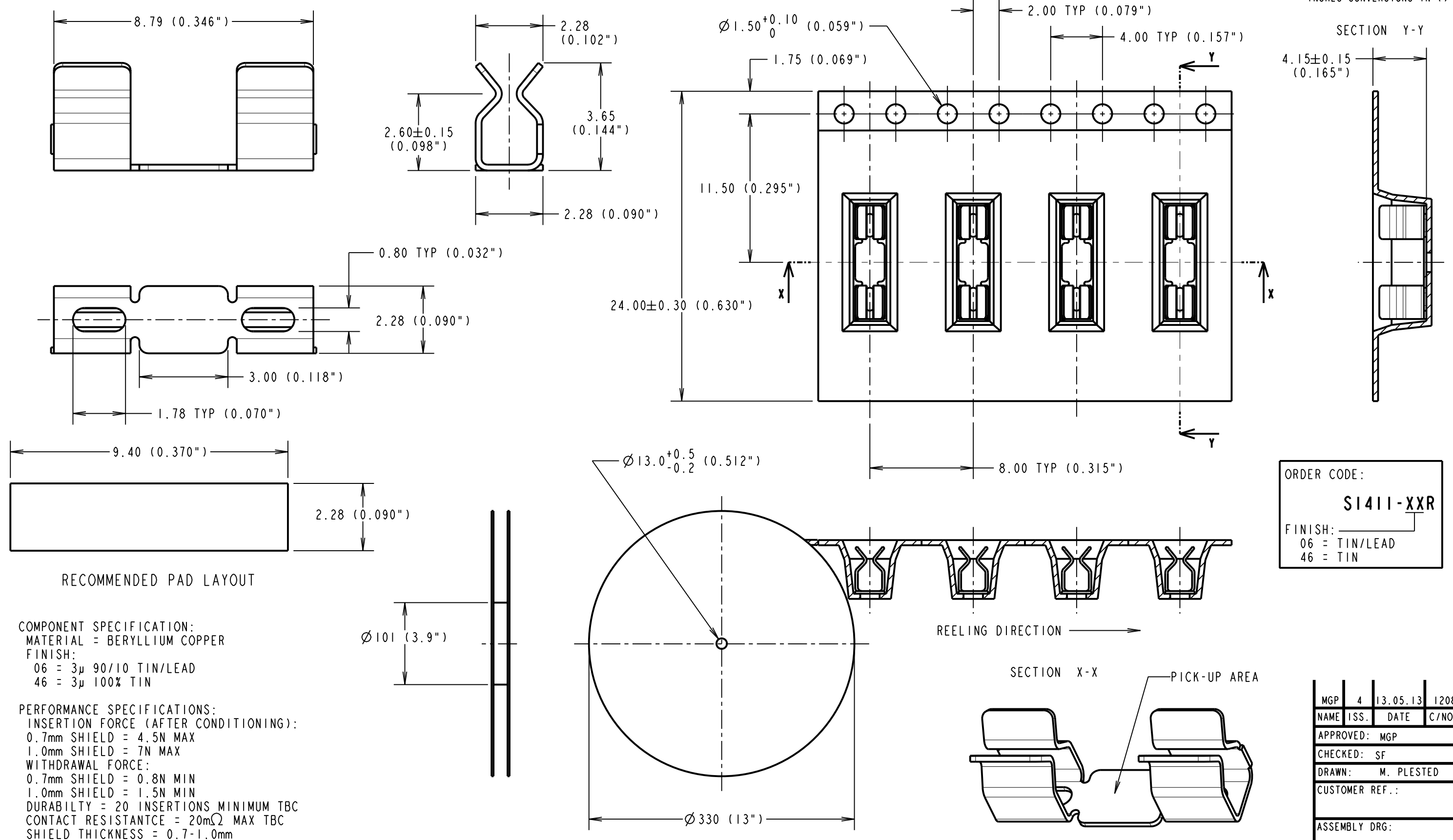
(C)

NOT TO SCALE

THIRD ANGLE PROJECTION

ALL DIMENSIONS IN mm

INCHES CONVERSIONS IN ()



ORDER CODE:
S1411-XXR
FINISH:
06 = TIN/LEAD
46 = TIN

RECOMMENDED PAD LAYOUT

COMPONENT SPECIFICATION:
MATERIAL = BERYLLIUM COPPER
FINISH:
06 = 3µ 90/10 TIN/LEAD
46 = 3µ 100% TIN

PERFORMANCE SPECIFICATIONS:
INSERTION FORCE (AFTER CONDITIONING):
0.7mm SHIELD = 4.5N MAX
1.0mm SHIELD = 7N MAX
WITHDRAWAL FORCE:
0.7mm SHIELD = 0.8N MIN
1.0mm SHIELD = 1.5N MIN
DURABILITY = 20 INSERTIONS MINIMUM TBC
CONTACT RESISTANCE = 20mΩ MAX TBC
SHIELD THICKNESS = 0.7-1.0mm

NOTES:
1. QUANTITY PER REEL = 1,900.
2. THIS PRODUCT IS TAPED AND REELED IN ACCORDANCE WITH EIA-481 (ELECTRONIC INDUSTRIES ASSOCIATION).
3. ALL SPECIFICATIONS SUBJECT TO VERIFICATION.



THIS DRAWING AND ANY INFORMATION OR DESCRIPTIVE MATTER SET OUT HEREON ARE CONFIDENTIAL AND COPYRIGHT PROPERTY OF THE HARWIN GROUP AND MUST NOT BE DISCLOSED, LOANED, COPIED OR USED FOR MANUFACTURING, TENDERING OR FOR ANY OTHER PURPOSE WITHOUT THEIR WRITTEN PERMISSION.

TOLERANCES
X. = ±1mm
X.X = ±0.25mm
X.XX = ±0.10mm
X.XXX = ±0.01mm
ANGLES = ±5°
UNLESS STATED

MATERIAL: SEE ABOVE
FINISH: SEE ABOVE
S/AREA: mm²

TITLE: SMT RFI SHIELD CLIP IN TAPE AND REEL
DRAWING NUMBER: S1411-XXR
SHT 2 OF 2

MGP	4	13.05.13	12086
NAME	ISS.	DATE	C/NOTE
APPROVED: MGP			
CHECKED: SF			
DRAWN: M. PLESTED			
CUSTOMER REF.:			
ASSEMBLY DRG:			