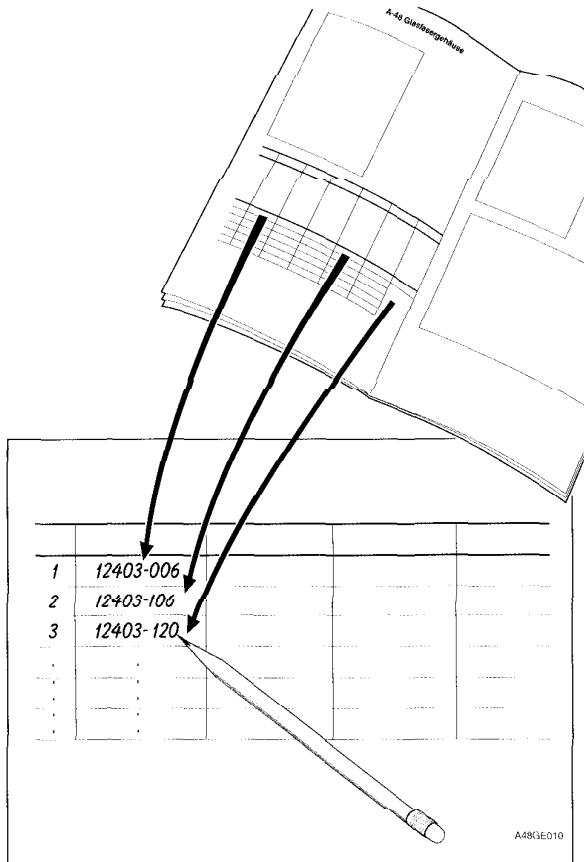


A-48 fiberglass enclosure

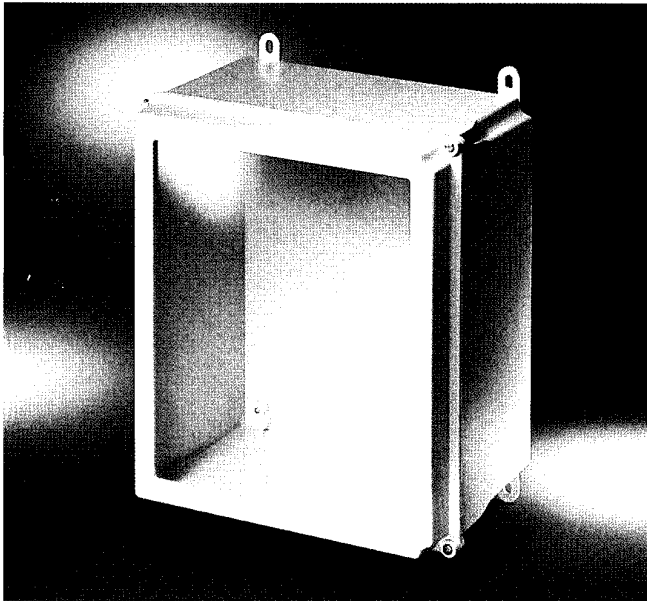
A-48 fiberglass enclosure overview

Overview of the enclosure dimensions and accessories.
More product information is available on the relevant pages.



Dimensions			Enclosure with door	Enclosure with glazed door	Mounting plate	Mounting plate, hinged	Quick-release latch
A	B	C	Page 209	Page 209	Page 210	Page 210	Page 211
165	165	117	12403-006	12403-007	12403-106	12403-107	12403-120
216	165	117	12403-008	12403-009	12403-108	12403-109	
267	216	167	12403-010	12403-011	12403-110	12403-111	
318	267	167	12403-012	12403-013	12403-112	12403-113	
370	319	219	12403-014	12403-015	12403-114	12403-115	
420	370	219	12403-016	12403-017	12403-116	12403-117	
472	421	270	12403-018	12403-019	12403-118	12403-119	

A-48 fiberglass enclosure



A-48 fiberglass enclosure

■ Protection class IP 66

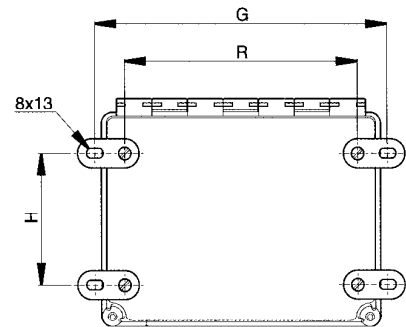
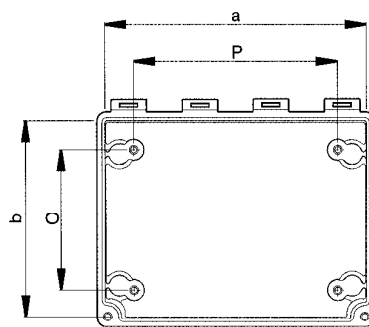
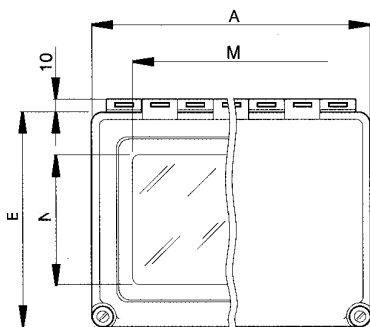
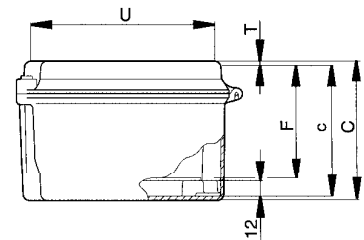
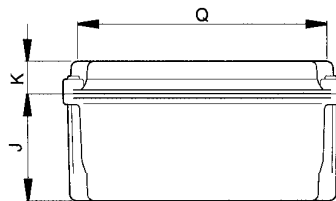
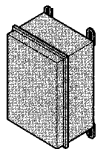
For use in highly corrosive environments such as oil refineries and chemical plants, water treatment and off-shore industries, for electroplating and agriculture.

Delivery comprises

Item	Qty	Description	Material	Finish
1	1	Basic enclosure	GRP	light gray
2	1	Door	GRP	light gray
2a	1	Glazed door	GRP/Lexan	light gray
3	4	Wall-mounting bracket	Polyester	light gray
5	1 kit	Assembly parts		

Delivery: assembled

A-48



A48GE001 A48GE002

Enclosure dimensions			Internal dimensions			F	G	H	J	K	M	N	O	P	Q	R	T	U	Enclosure with plain door	Enclosure with glazed door
A	B	C	a	b	c															
165	165	117	152	152	102	88	176	102	83	25	108	108	108	108	143	130	3	143	12403-006	12403-007
216	165	117	203	152	102	88	227	102	83	25	159	159	108	108	194	181	3	143	12403-008	12403-009
267	216	167	254	203	152	138	278	152	125	33	210	210	159	159	244	232	3	193	12403-010	12403-011
318	267	167	305	254	152	138	329	203	119	40	260	260	210	210	294	282	3	243	12403-012	12403-013
370	319	219	356	305	203	189	379	254	165	46	311	311	260	260	345	333	4	294	12403-014	12403-015
420	370	219	406	356	203	189	430	305	158	53	362	362	311	311	395	384	4	344	12403-016	12403-017
472	421	270	457	406	254	240	481	356	195	68	413	362	362	413	445	435	4	394	12403-018	12403-019

A-48 fiberglass enclosure

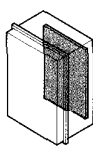
Mounting plate

For installing electromechanical components.

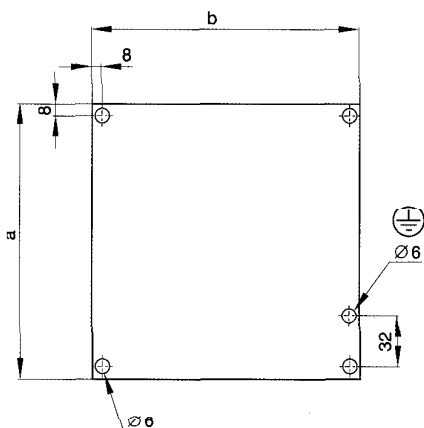
Delivery comprises

Item	Qty	Description	Material	Finish	Notes
1	1	Mounting plate	St 1.7 mm	RAL 2000	Assembly parts supplied with basic enclosure

For enclosure					Order No.
A	B	C	a	b	
165	165	117	124	124	12403-106
216	165	117	171	124	12403-108
267	216	167	222	175	12403-110
318	267	167	273	226	12403-112
370	319	219	324	276	12403-114
420	370	219	375	327	12403-116
472	421	270	425	378	12403-118



A-48



A48GE004 A48GE003

Hinged mounting plate

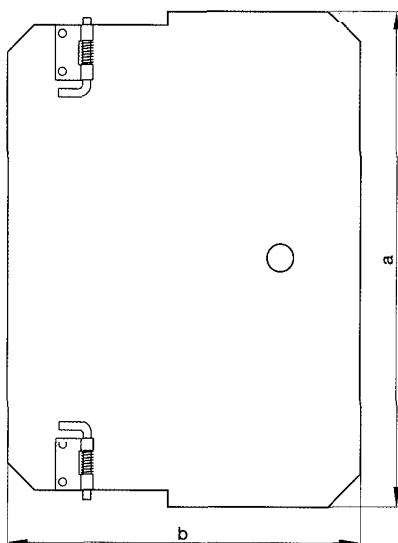
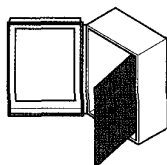
For installing additional electromechanical components.

Delivery comprises

Item	Qty	Description	Material	Finish	Notes
1	1	Mounting plate	Al	Mill finish	
2	1 kit	Latch	Thermoplastic	black	
3	1 kit	Assembly parts			Hinges are on spring bearings for simple installation

Delivery: in kit form

For enclosure					Order No.
A	B	C	a	b	
165	165	117	150	150	12403-107
216	165	117	201	150	12403-109
267	216	167	250	198	12403-111
318	267	167	301	249	12403-113
370	319	219	350	298	12403-115
420	370	219	401	349	12403-117
472	421	270	451	398	12403-119



A48GE006 A48GE006