

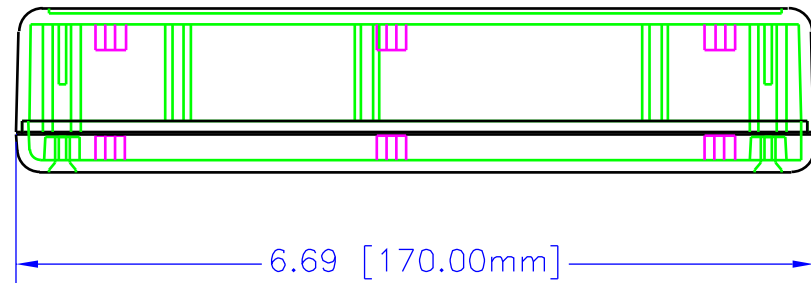
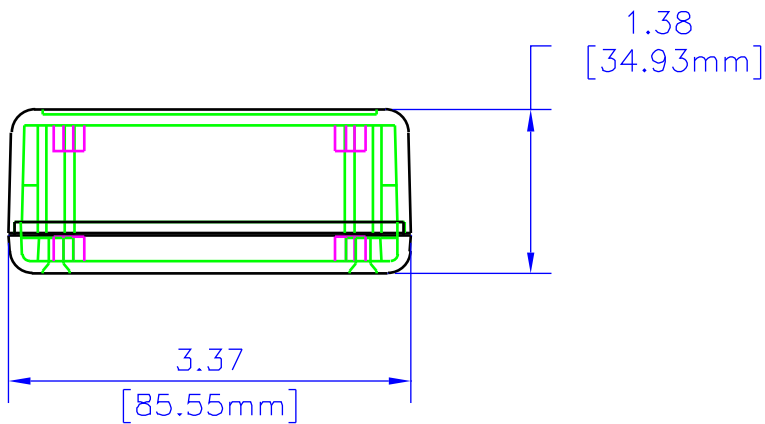
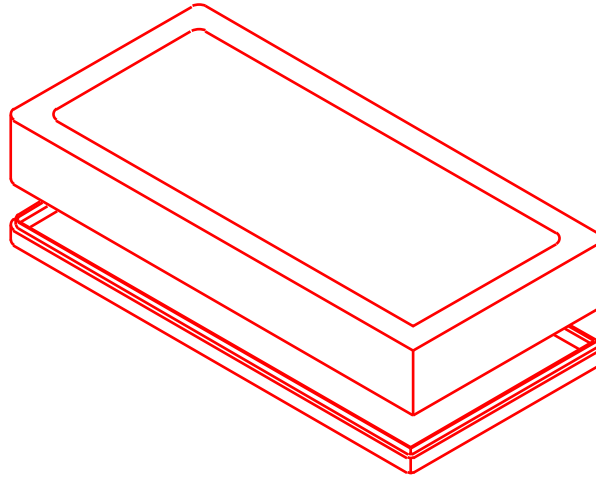
REV	DESCRIPTION	DATE

## NOTES

**MATERIAL** (ABS) FLAME RETARDANT UL94 VO MATERIAL WITH BRASS INSERTS IN CORNER POSTS.  
(STYRENE) IS NON-FLAME RETARDANT WITHOUT BRASS INSERTS.

**PARTS** (ABS) VERSION MACHINE SCREWS M3-0.5 x 10mm.  
REPLACEMENT PN 1591MS100 (100 / BAG). (STYRENE) VERSION SELF TAPPING #4 x 0.5".  
REPLACEMENT PN 1591TS100 (100 / BAG).

**COLORS** (ABS) BLACK, & GRAY, (STYRENE) GRAY ONLY.



# ASSEMBLED

UNLESS OTHERWISE SPECIFIED  
DIMENSIONS ARE IN INCHES.

X +/- .1  
XX +/- .02  
XXX +/- .015  
CHITS +/- .005  
ANGLES +/- .5 DEG

NOTICE  
HAMMOND CLAIMS PROPRIETARY RIGHTS TO THE MATERIAL ON THIS DRAWING. IT IS INTENDED TO BE USED AS A REFERENCE FOR ENGINEERING INFORMATION ONLY. THIS INFORMATION MAY NOT BE USED TO MANUFACTURE PRODUCTS WITHOUT WRITTEN PERMISSION FROM HAMMOND MANUFACTURING.



**HAMMOND  
MANUFACTURING**

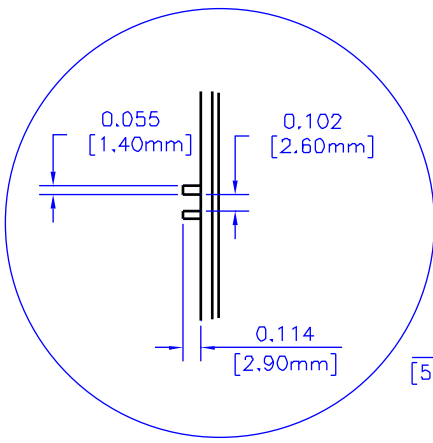
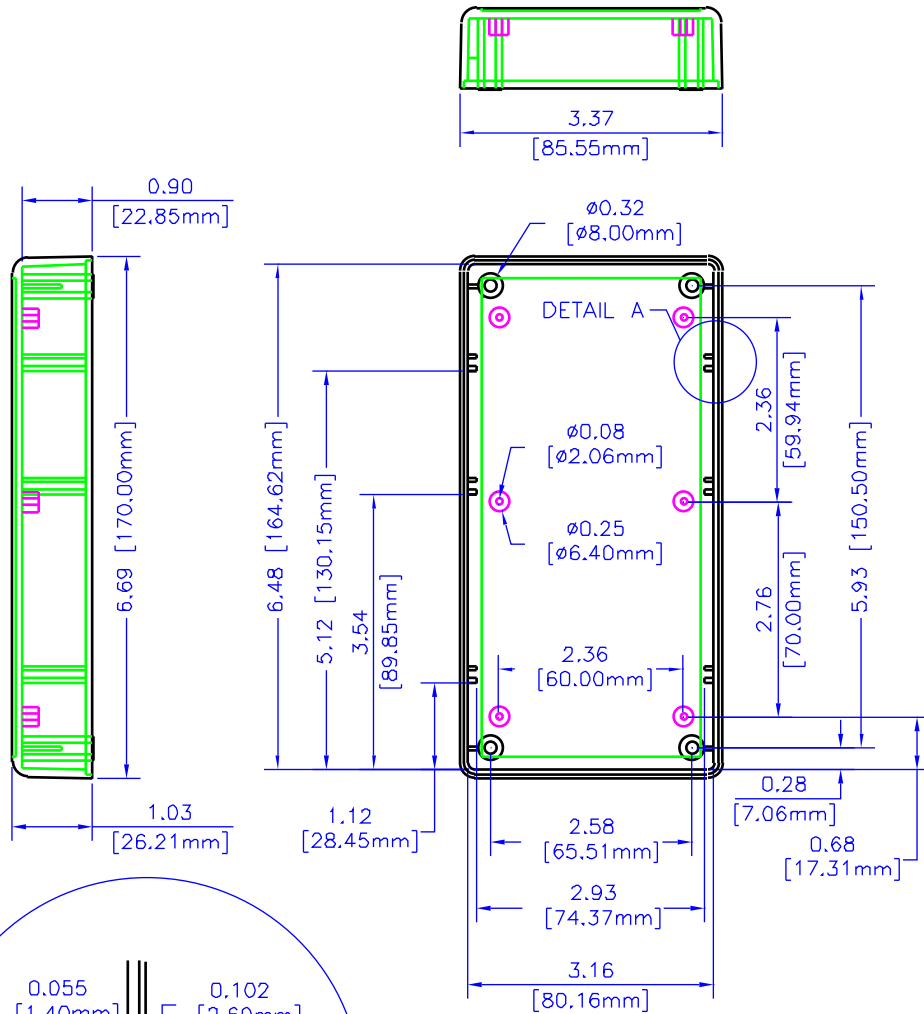
WEB: [WWW.HAMMONDMFG.COM](http://WWW.HAMMONDMFG.COM)

TITLE  
HAMMOND 1599 SERIES  
PLASTIC ENCLOSURE

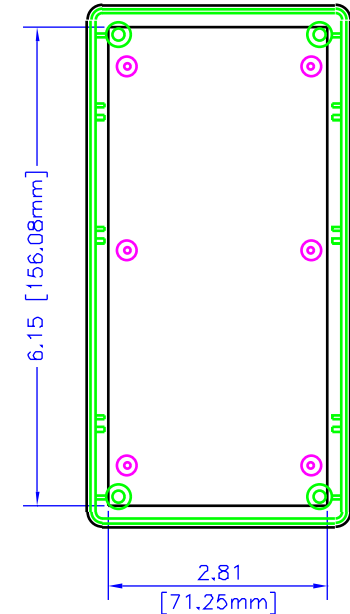
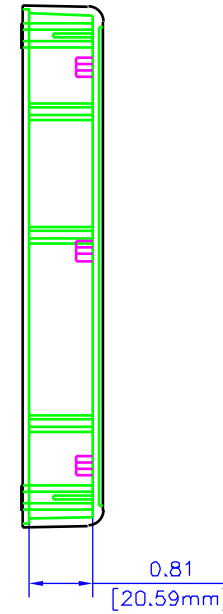
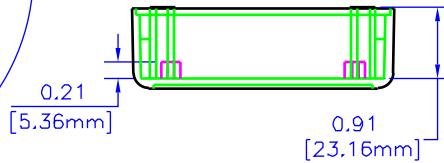
DRAWN BY MJM DATE 08/16/01

SCALE PAGE 1 OF 3

PART NUMBER  
1599E



DETAIL A



BOX

UNLESS OTHERWISE SPECIFIED  
DIMENSIONS ARE IN INCHES  
X +/- .1  
XX +/- .03  
XXX +/- .015  
CLIPS +/- .005  
ANGLES +/- 5 DEG

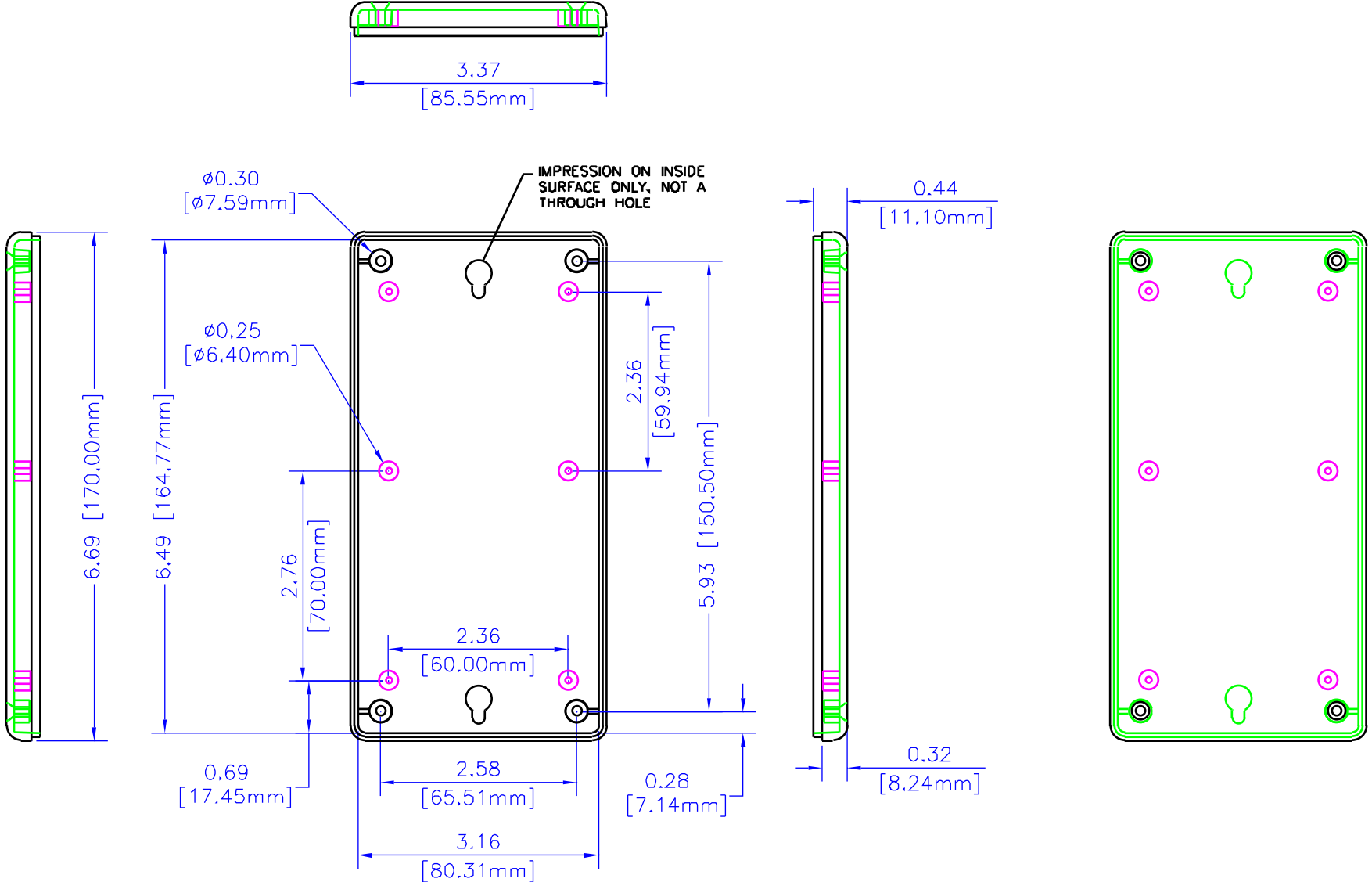


**HAMMOND  
MANUFACTURING**

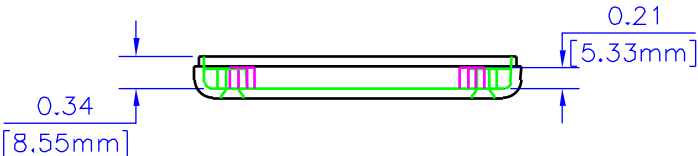
WEB: [WWW.HAMMONDMFG.COM](http://WWW.HAMMONDMFG.COM)

TITLE		HAMMOND 1599 SERIES PLASTIC ENCLOSURE	
DRAWN BY	MJM	DATE	08/16/01
SCALE		PAGE	2 OF 3
PART NUMBER		1599E	

NOTES



LID



UNLESS OTHERWISE SPECIFIED  
DIMENSIONS ARE IN INCHES

X +/- .1

XX +/- .05

XXX +/- .015

CUTS +/- .005

ANGLES +/- .5 DEG

TOLERANCES

HAMMOND CLAIMS PROPRIETARY RIGHTS TO THE MATERIAL IN THIS DRAWING. IT IS INTENDED TO BE USED AS A REFERENCE FOR ENGINEERING APPROVED ONLY. THIS INFORMATION MAY NOT BE USED TO MANUFACTURE PRODUCTS WITHOUT WRITTEN PERMISSION FROM HAMMOND MANUFACTURING.



WEB: WWW.HAMMONDMFG.COM

TITLE		HAMMOND 1599 SERIES PLASTIC ENCLOSURE	
DRAWN BY	MJM	DATE	08/16/01
SCALE		PAGE	3 OF 3
PART NUMBER	1599E		