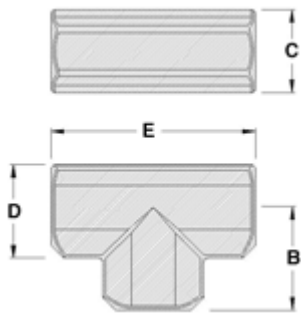


Type L25 - Three Socket Tee



Type	Pipe Reference	Dimension (mm)								Weight (kg)
	A	B	C	D	E	F	G	H		
L25-6	6	52	42.5	50	104					0.21
L25-7	7	65	53	59	130					0.35
L25-8	8	74	60	65	148					0.51
L25-9	9	90	74	78	180					0.82

Most commonly used as the 90 degree joint between the top rail and an intermediate upright on guardrailing. As there are two socket set screws in the sleeve, this Kee Lite fitting can be used where a join is required in the horizontal tube. As an alternative, it is possible to use a [Type L10](#) fitting in its vertical position in place of the Type L25, using the latter only where a join in the tubing occurs.