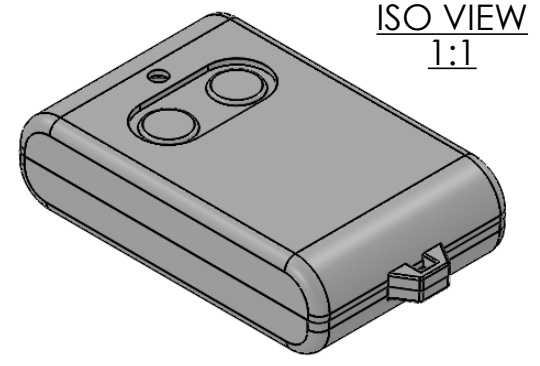
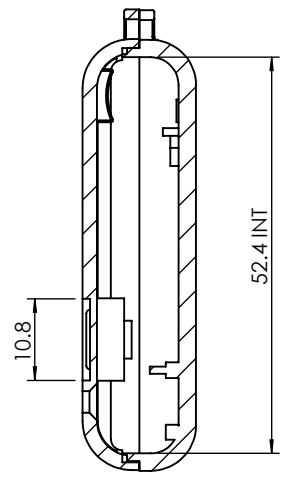
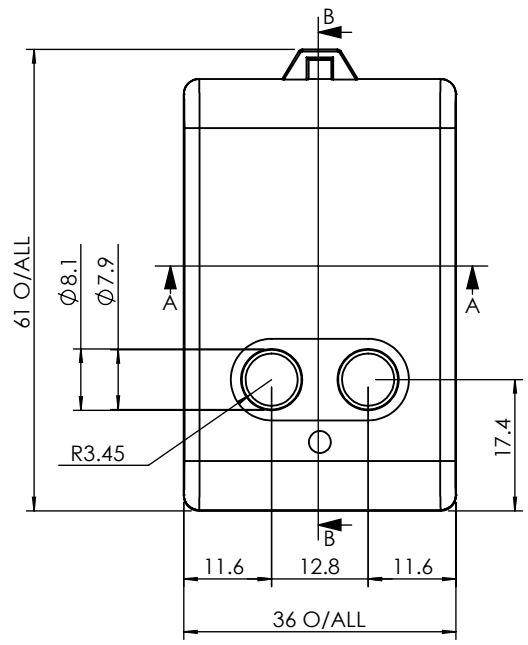
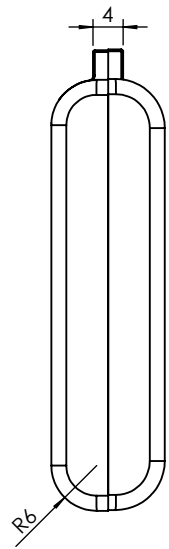


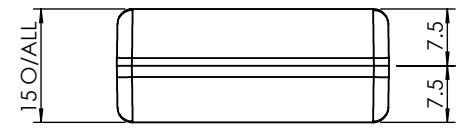
SECTION A-A



ISO VIEW  
1:1



SECTION B-B



**CAMDENBOSS**  
ELECTRONICS & ENCLOSURES  
JAMES CARTER RD, MILDENHALL, SUFFOLK. IP28 7DE  
TEL: 01638 716101 FAX: 01638 716554  
EMAIL: Sales@CamdenBoss.com  
WEB: www.CamdenBoss.com

UNLESS OTHERWISE SPECIFIED:  
DIMENSIONS ARE IN MILLIMETERS  
GENERAL TOLERANCES +/- 0.2  
FINISH. LIGHT SPARK

DO NOT SCALE DRAWING      REVISION. ○  
TITLE: GENERAL DIMENSION DRAWING  
FOR 2957 SERIES TWO-SMALL-  
BUTTONS

	NAME	SIGNED	DATE
DRAWN	LEWIS LETCHFORD	LL	10/04/2014
CHK'D	-	-	-

MATERIAL. ABS  
PROJECTION.

DWG NO. 2957-23      A4  
SCALE: 1:1      SHEET 1 OF 1