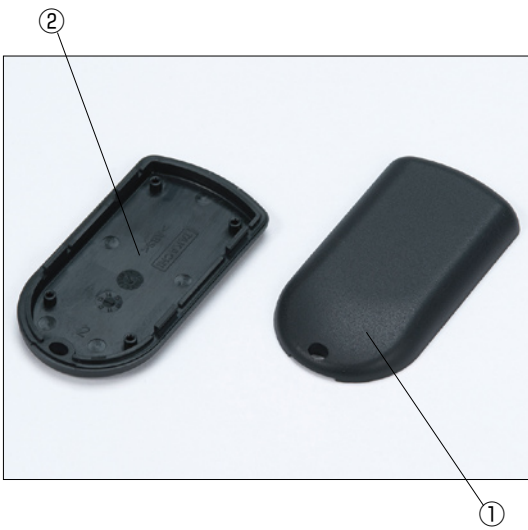


# PS SERIES

■ Operating temperature ■  
-10°C~+60°C

## PS PORTABLE PLASTIC CASE










### FEATURE

- Snap-in case without screws.
- Comfortable shape and hold.
- 5colors.
- Recommended for wireless remote control and RFID products.
- Handy hole for hanging.

### Components

Ref. #	Part name	Pcs	Material	Color / Finish
1	Top cover	1	ABS	White · Black · Cobalt blue · Green · Pink
2	Bottom cover	1	ABS	White · Black · Cobalt blue · Green · Pink

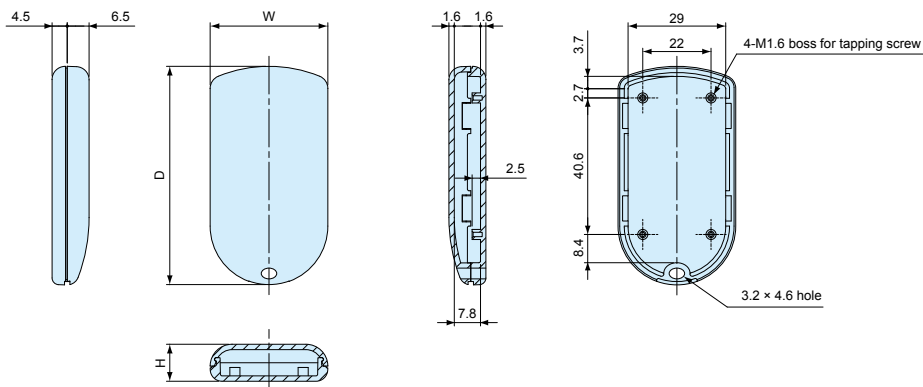
### Accessories (Optional parts)

PCB Mount screw EM-1.6  See page 78	Strap STPS series  See page 12	SMTU series  P89 ~ 92	HU series  P93 ~ 94	Battery holder PB621  P95	SMTM2032  P96	BK series  P97 ~ 98
---	--	--	--	--	--	--

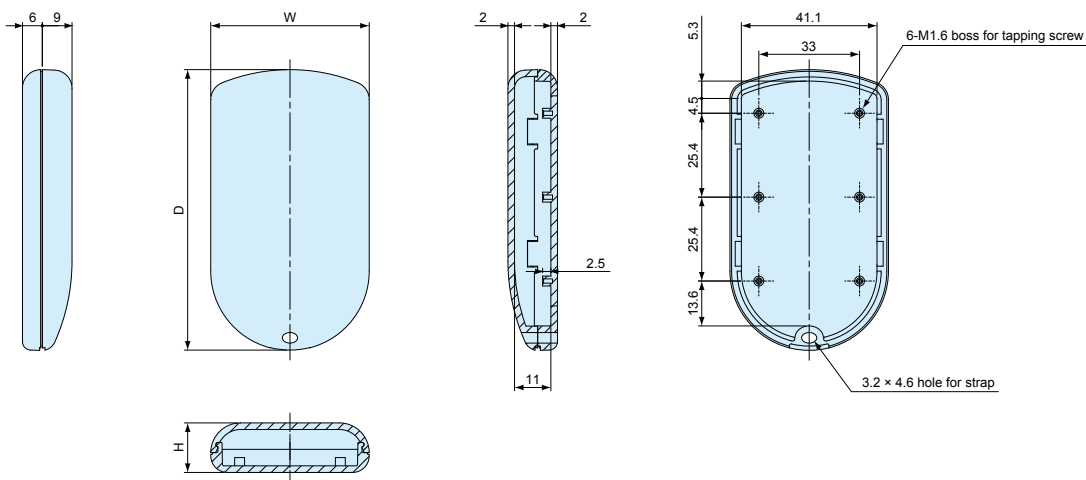
**PS Dimensions**

• CAD data is downloadable from our web.

**PS-65□**



**PS-85□**



**Part no. / Dimensions**

Part no.	W	H	D	Weight (g)
PS-65□	35	11	65	9
PS-85□	48	15	85	20

• Suffix color code at the end of part number □ when ordering PS series.

**Color Type**

Color code	Top cover	Bottom cover
W	White	White
B	Black	Black
C	Cobalt blue	Cobalt blue
G	Green	Green
P	Pink	Pink

**Optional Battery Holder**

Application Example: RFID Tag



• A variety of suitable coin battery holders are available. Refer to the chart below or page 89 to 98 for finding your best.

**Case vs. Coin battery holder chart**

Case part no.	Coin battery holder part no.
PS-65□	BK-879, BK-885, BK-890, BK-868, BK-869, BK-5067, BK-888, PB621, SMTM2032
PS-85□	PB621, SMTM2032, BK-879, BK-885, BK-890, BK-868, BK-869, BK-5067, BK-888, SMTU1220, SMTU1632, SMTU2-2016, SMTU2032, SMTU2032-1-G, SMTU2430

# PS SERIES

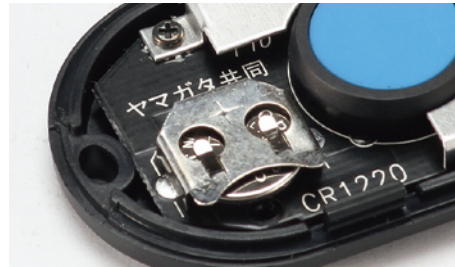
# APPLICATION EXAMPLE

## Portable radiation checker



### Application

The radiation levels are indicated by LED blinking speed. Easy for anyone to use and check the radiation levels around, therefore, used by many people to check for the Fukushima nuclear disaster.



Applied TAKACHI "BK-890" of coin battery holder.

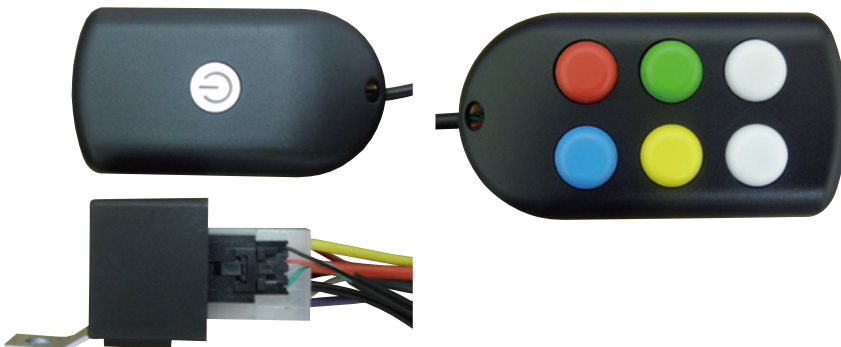
## Portable radiation monitor



### Application

Detect only the  $\gamma$ -radiation and convert and show it to the dose equivalent rate.

## Vehicle operating controller devise



### Application

The one button controller is for operating an electronic left foot accelerator, hydraulic steering backup, docking station, and accelerator canceler for the driving instructors.

The six button controller is for operating Left&Right indicators, horn, and wipers&washers.

## Portable wireless calling unit



### Application

Wireless receiver box and transmitter unit.

A receiver module is installed in the box.

TAKACHI portable plastic case (PS-85W) as a transmitter unit is highly appreciated with this kind of applications.

