

Customer Information Sheet

DRAWING No.: S7061-42R

SHEET 2 OF 2

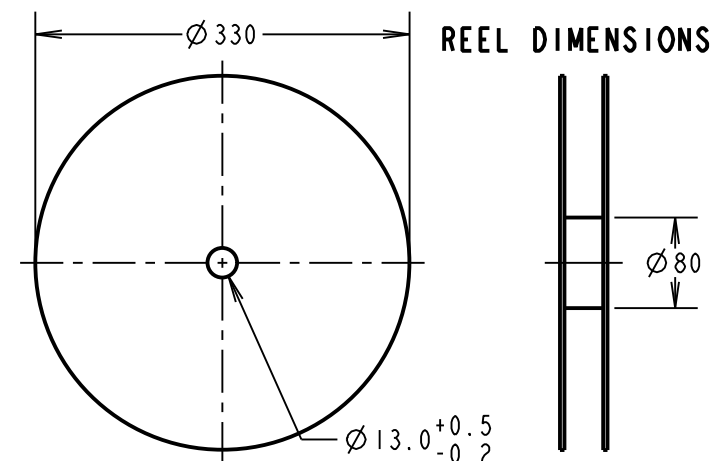
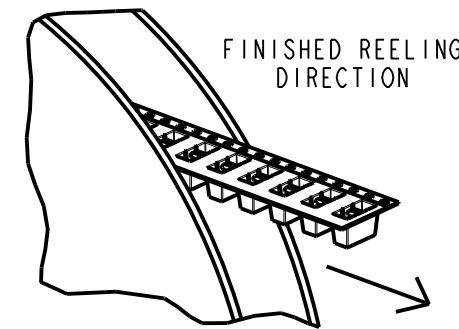
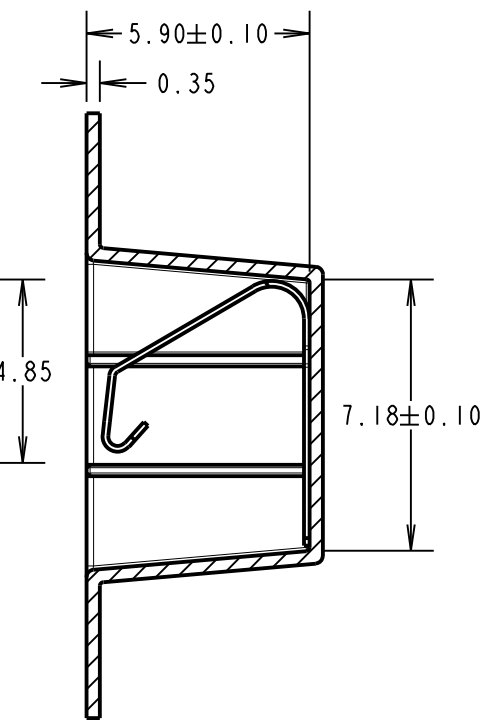
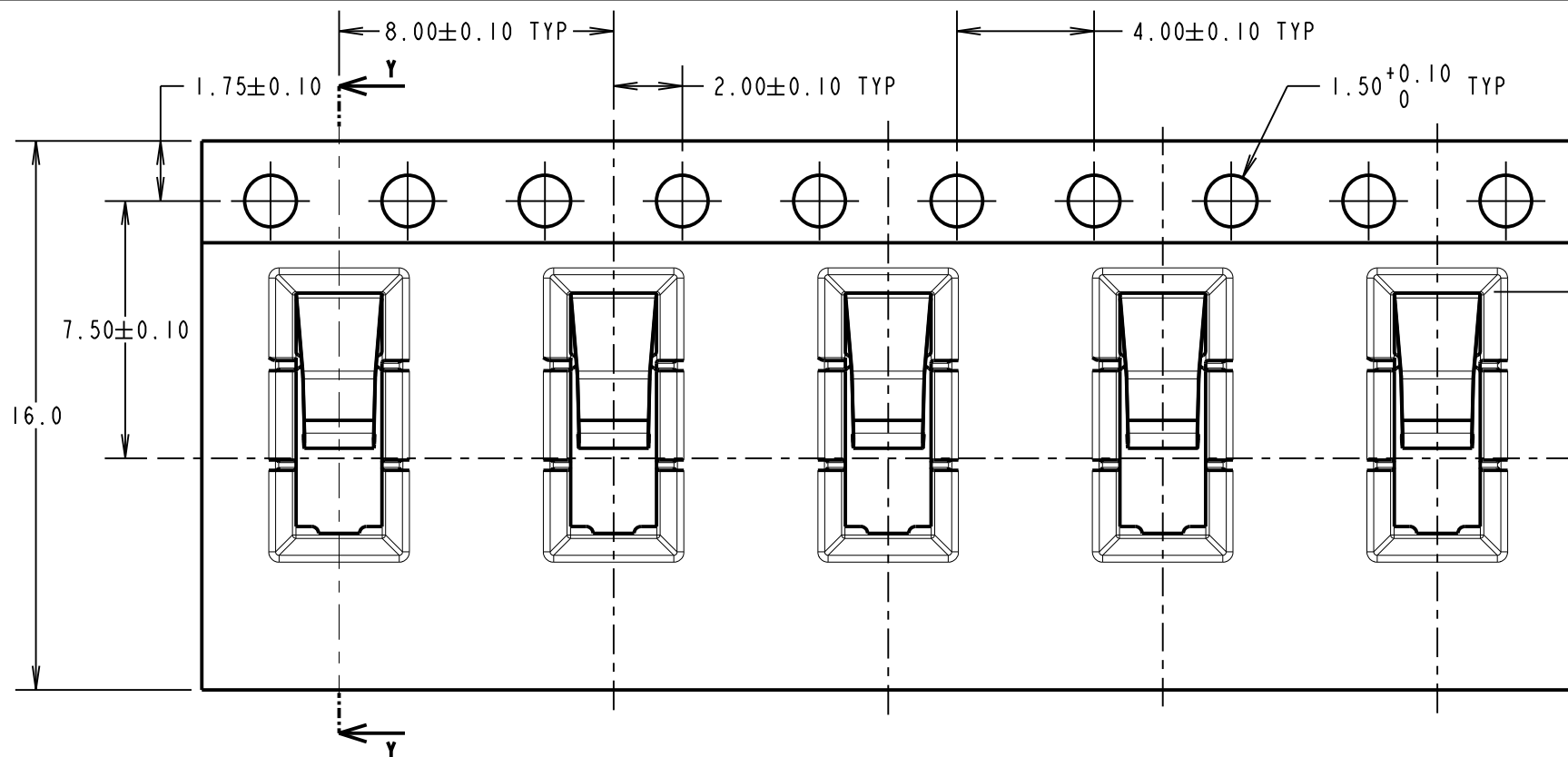
IF IN DOUBT - ASK

©

NOT TO SCALE

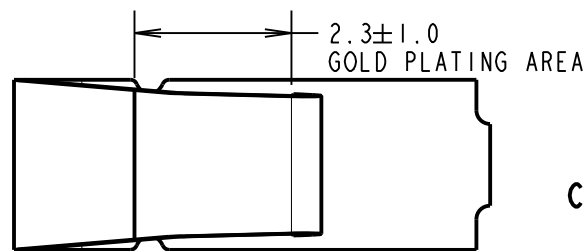
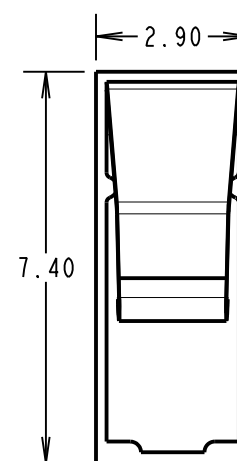
THIRD ANGLE PROJECTION

ALL DIMENSIONS IN mm

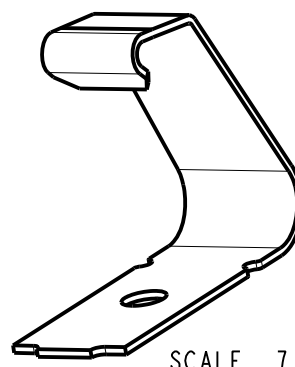
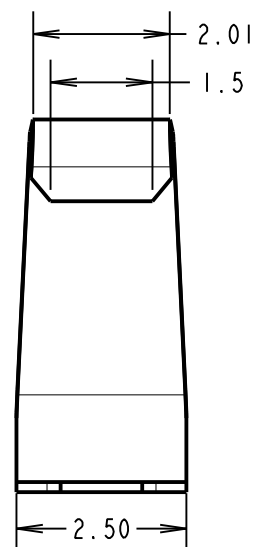
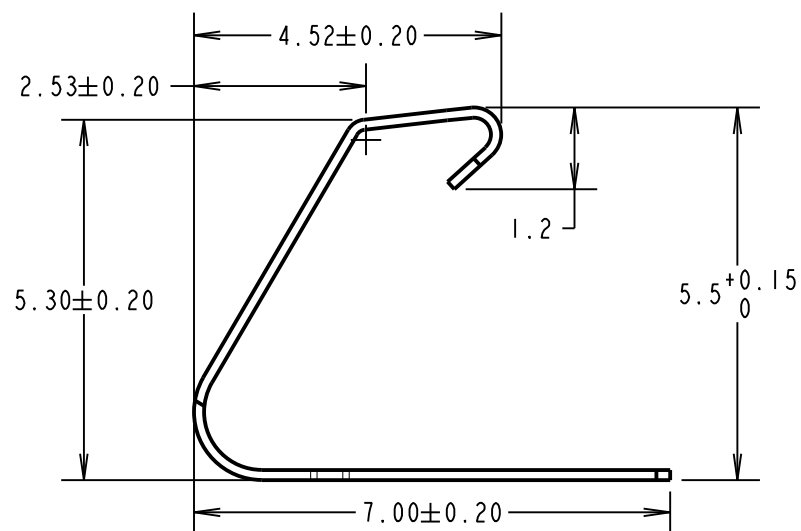


SECTION Y-Y

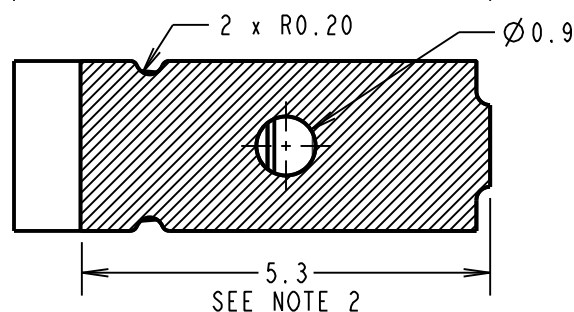
RECOMMENDED PAD LAYOUT



COMPONENT DETAILS



- NOTES:
 1. QUANTITY PER REEL = 1500.
 2. AREA FOR MATTE TIN PLATE.
 3. ALL TOLERANCES ARE: X.X = ±0.30mm
 X.XX = ±0.15mm
 UNLESS OTHERWISE STATED.



COMPONENT SPECIFICATION

MATERIAL = TITANIUM COPPER ALLOY,
 0.15mm THICK
 FINISH = 0.7µ-1.3µ NICKEL, GOLD FLASH
 ON CONTACT AND 2.54µ MIN 100%
 MATTE TIN ON FOOT AREA.
 RECOMMENDED WORKING HEIGHT = 4.60mm / MIN FORCE = 1.2N
 RECOMMENDED MINIMUM WORKING HEIGHT = 4.10mm
 ELECTRICAL:
 CURRENT RATING = 4A

SB	5	07.06.13	12074
NAME	ISS.	DATE	C/NOTE
APPROVED:		S.BENNETT	
CHECKED:		M.PLESTED	
DRAWN:		R.ADDE	
CUSTOMER REF.:			
ASSEMBLY DRG:			

HARWIN

www.harwin.com
 technical@harwin.com

THIS DRAWING AND ANY INFORMATION OR DESCRIPTIVE MATTER SET OUT HEREON ARE CONFIDENTIAL AND COPYRIGHT PROPERTY OF THE HARWIN GROUP AND MUST NOT BE DISCLOSED, LOANED, COPIED OR USED FOR MANUFACTURING, TENDERING OR FOR ANY OTHER PURPOSE WITHOUT THEIR WRITTEN PERMISSION.

TOLERANCES
 X = ±1mm
 X.X = ±0.25mm
 X.XX = ±0.10mm
 X.XXX = ±0.01mm
 ANGLES = ±5°
 UNLESS STATED

MATERIAL: SEE ABOVE
 FINISH: SEE ABOVE
 S/AREA: mm²

TITLE:
 SMT SHIELD FINGER (5.5mm)
 IN TAPE AND REEL

DRAWING NUMBER:
S7061-42R

SHT
 2 OF 2