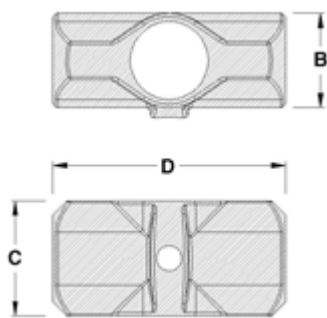


Type L26 - Two Socket Cross



Type	Pipe Reference	Dimension (mm)								Weight (kg)
		A	B	C	D	E	F	G	H	
L26-6	6	42.5	56	104						0.17
L26-7	7	53	64	130						0.28
L26-8	8	60	70	148						0.45
L26-9	9	74	82	180						0.66

Usually paired with [Type L25](#) to give a 90 degree joint between the middle rail and an intermediate upright on guardrailing. The upright passes through the fitting.