

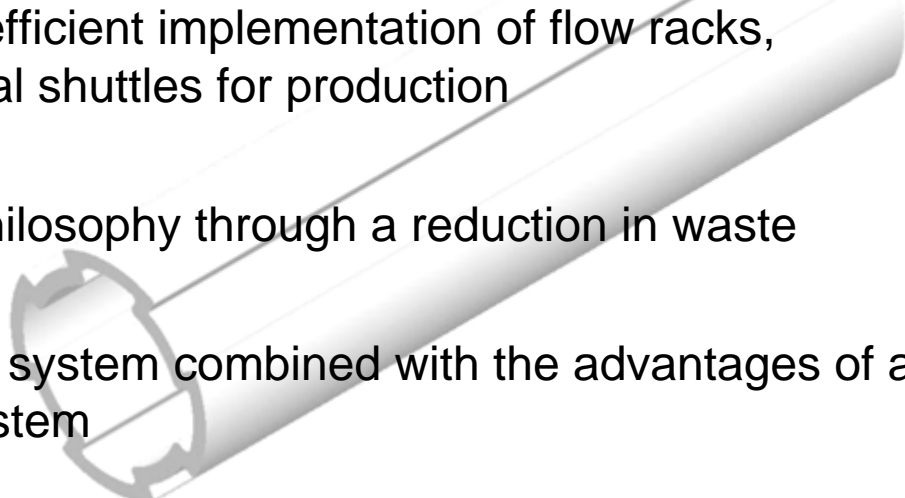
EcoShape

the Tubular Framing System



Customer Presentation

Your requirements:

- Quick, simple, and cost-efficient implementation of flow racks, workstations, and material shuttles for production
 - Application of the lean philosophy through a reduction in waste
 - A flexible tubular framing system combined with the advantages of a stable modular profile system
 - Protecting the environment
- 

Our solution:

Rexroth's tubular framing system for quick construction of material supply areas and workstations acc. to the KAIZEN principle.

EcoShape - the Tubular Framing System

The Advantages at a Glance

- Modular system acc. to the Kaizen principle

- Compatible to MPS and MGE

- Fast planning with MTpro

- Saw & assemble on-site

- Environmentally-friendly



- Completely ESD-conductive

- Poka-yoke principle

- High flexibility with few different parts

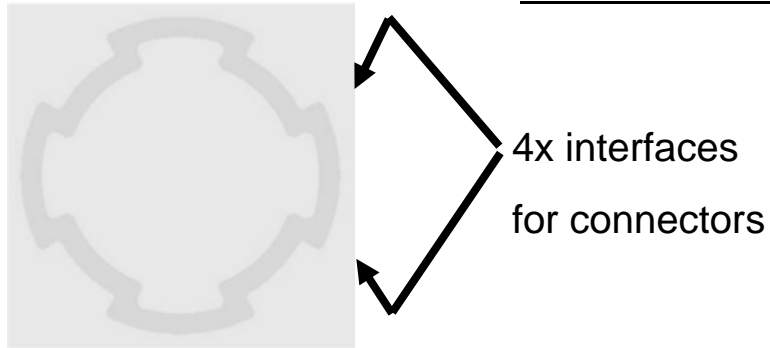
- Application examples



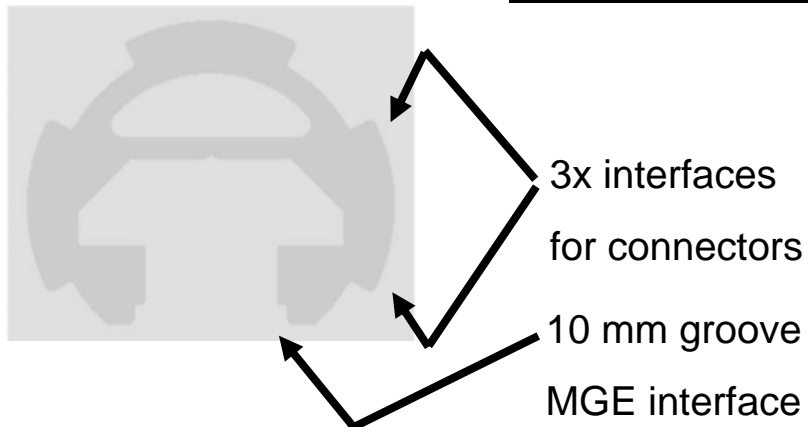
EcoShape - the Tubular Framing System

Key Technical Data – Profile

D28L round tube (3 842 541 211):



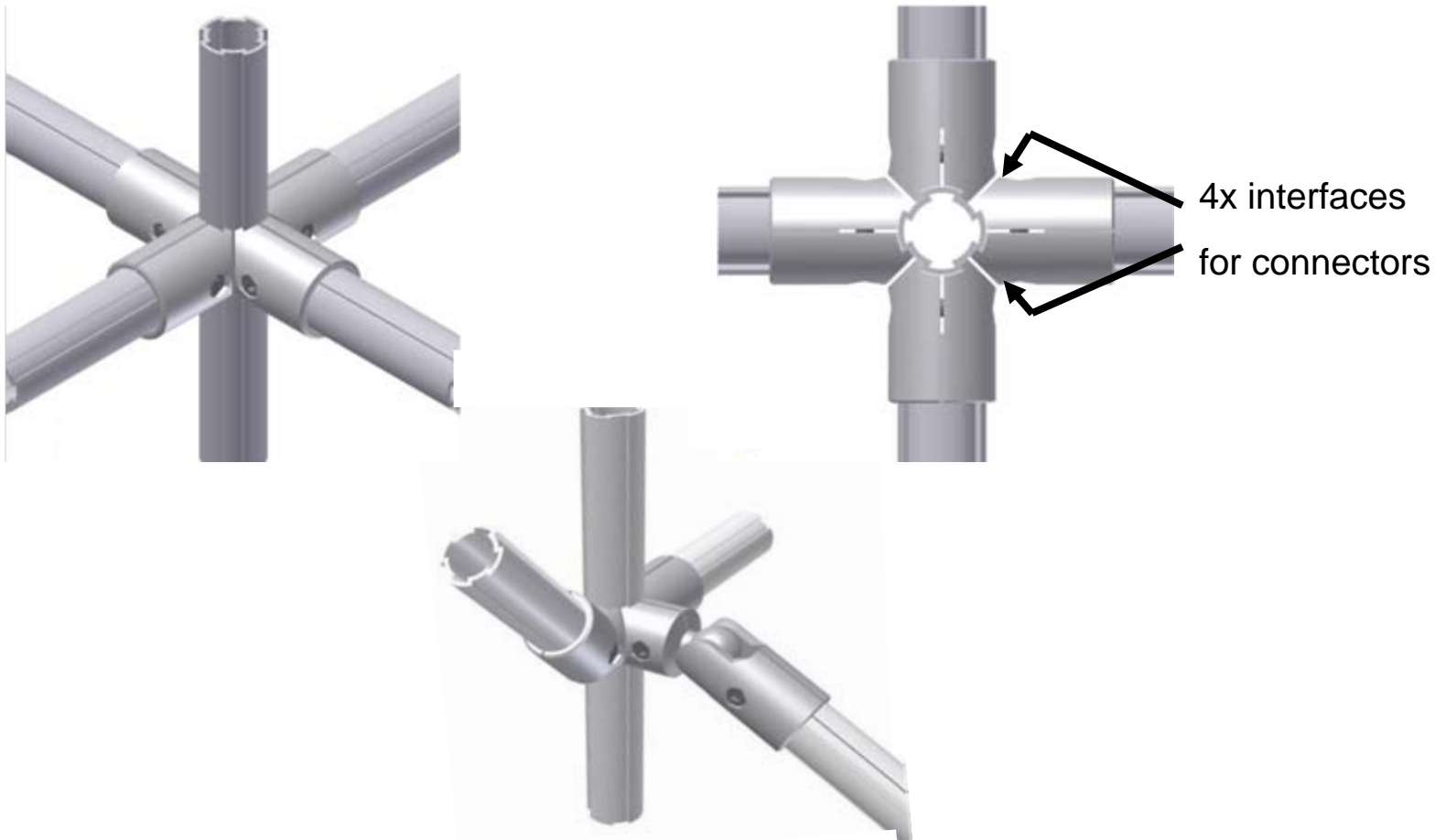
D28 round tube with 10 mm groove (3 842 541 213):



EcoShape - the Tubular Framing System

Key Technical Data – Profile

D28L round tube (3 842 541 211):



EcoShape - the Tubular Framing System

Key Technical Data – Profile

■ Technical data

■ I_y	1.33 cm ⁴	1.17 cm ⁴
■ I_x	1.33 cm ⁴	1.97 cm ⁴
■ W_y	0.95 cm ³	0.84 cm ³
■ W_x	0.95 cm ³	1.41 cm ³
■ Weight	0.48 kg/m	0.71 kg/m
■ Cross-sectional area	1.8 cm ²	2.63 cm ²

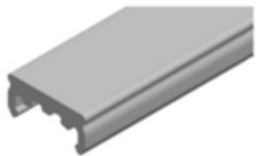


EcoShape - the Tubular Framing System

Key Technical Data – Accessories

Slide rail (3 842 541 196):

- A slide rail can be created using a plastic profile.



Cap (3 842 541 195):

- The cap has been designed to fit both profiles.

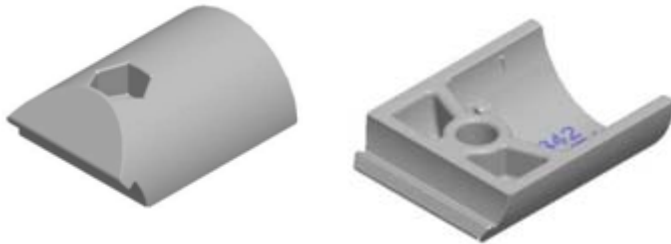


EcoShape - the Tubular Framing System

Key Technical Data – Connector

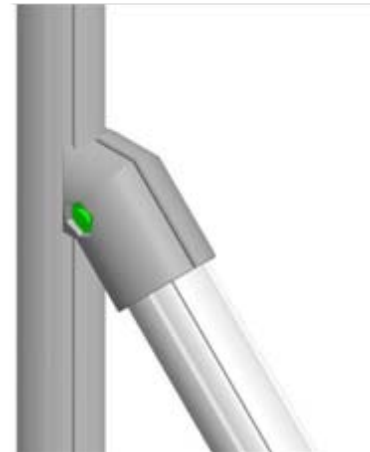
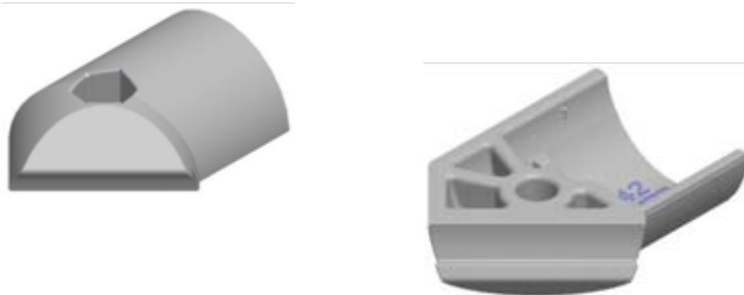
90° connector (3 842 541 173):

- Universal connector



45° connector (3 842 541 175):

- For attaching reinforcements to increase stability

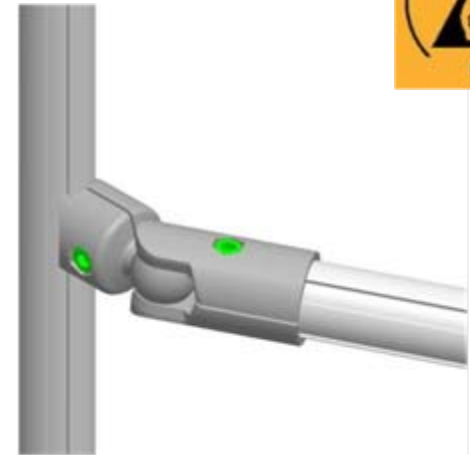
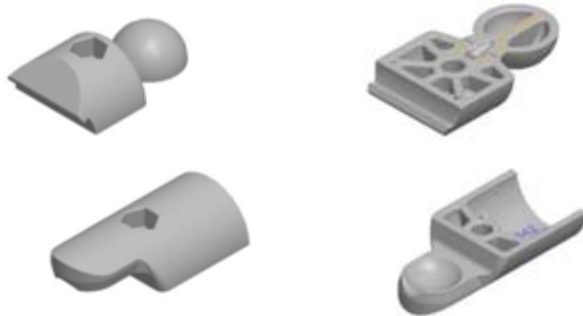


EcoShape - the Tubular Framing System

Key Technical Data – Connector

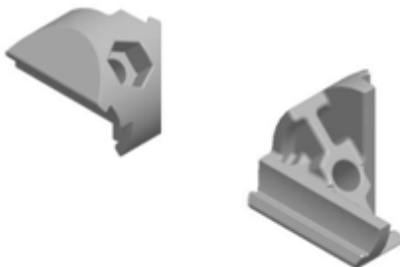
0°- 90° connector (3 842 541 178):

- To create connections at any angle



Cross connector (3 842 541 181):

- To attach cross-profiles

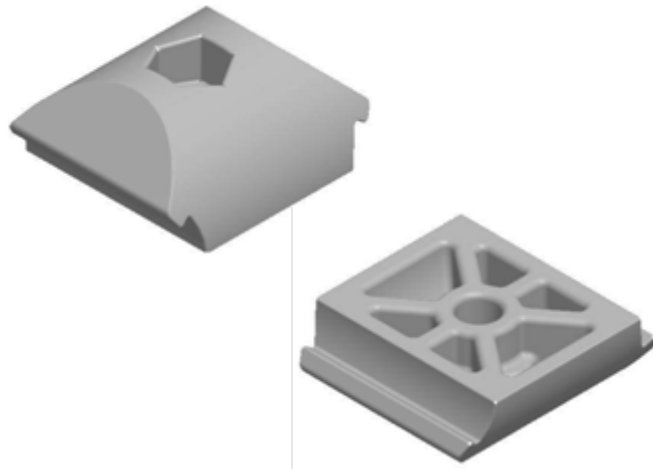


EcoShape - the Tubular Framing System

Key Technical Data – Connector

Parallel connector (3 842 541 183):

- To increase stability



EcoShape - the Tubular Framing System

Key Technical Data – Adapter

10 mm groove adapter (3 842 541 187 / 3 842 541 190):

- To connect a D28L round tube to a 45L profile (e.g. with a central bolt)



- Integration of lightweight accessories

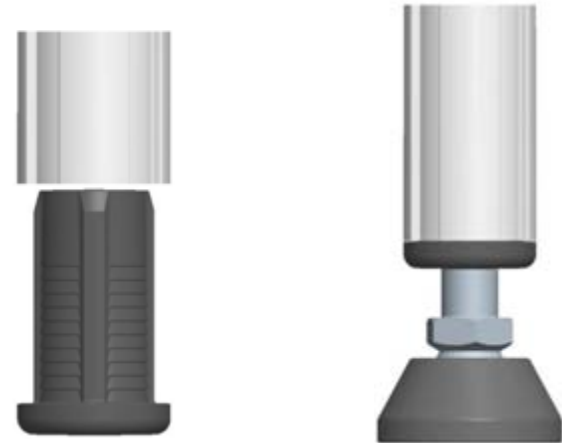


EcoShape - the Tubular Framing System

Key Technical Data – Adapter

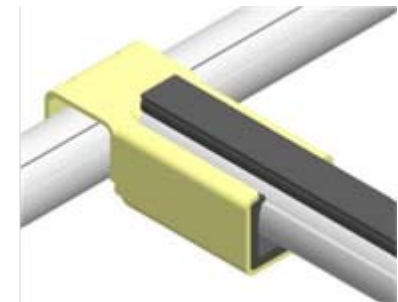
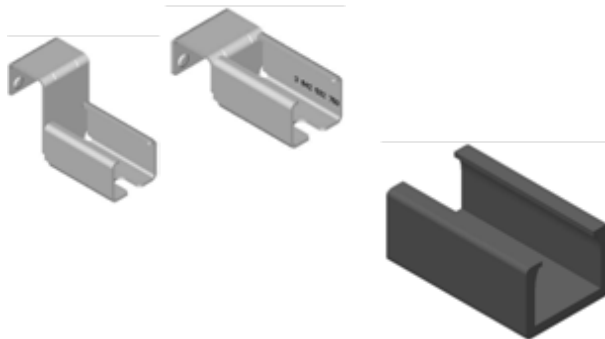
Threaded sleeve (3 842 541 185):

- To connect leveling feet and casters



XLean adapter (3 842 541 296):

- Adapter to support the tubular profile as a sliding rail in the XLean rail holder

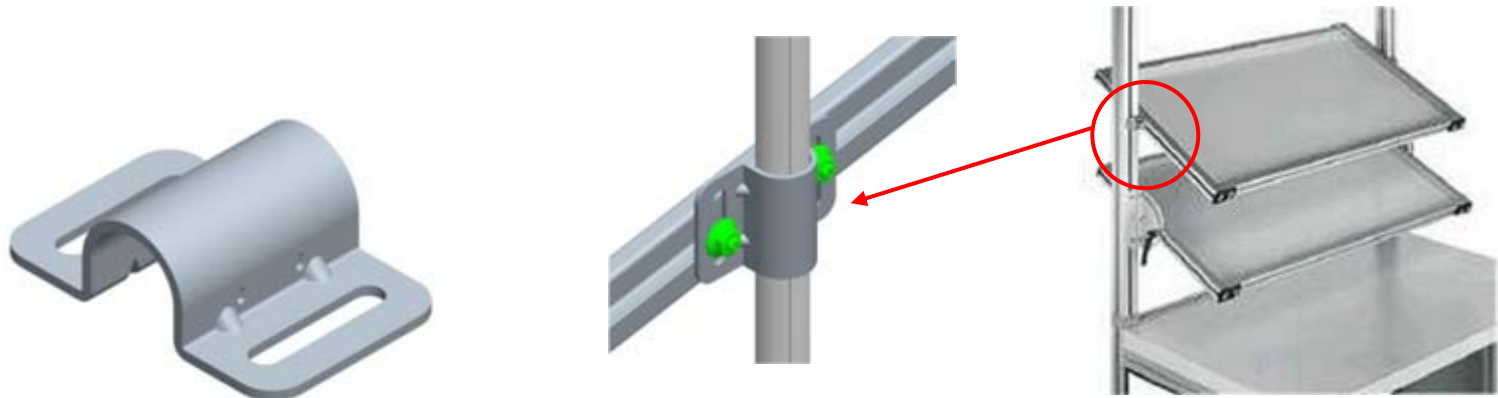


EcoShape - the Tubular Framing System

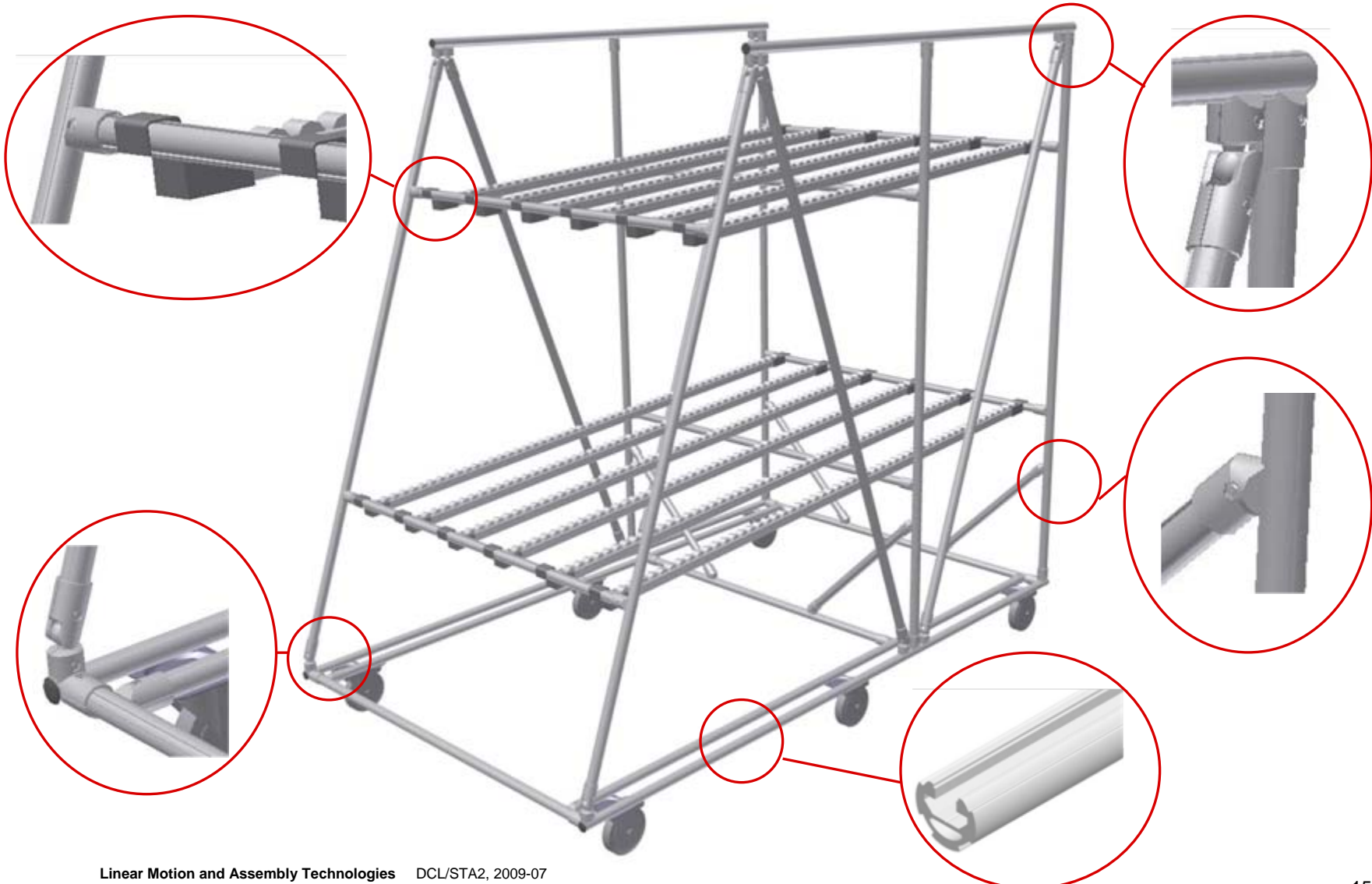
Key Technical Data – Adapter

Tube clip (3 842 541 193):

- To connect material shelves to the tubular framing system



EcoShape - the Tubular Framing System Application Example



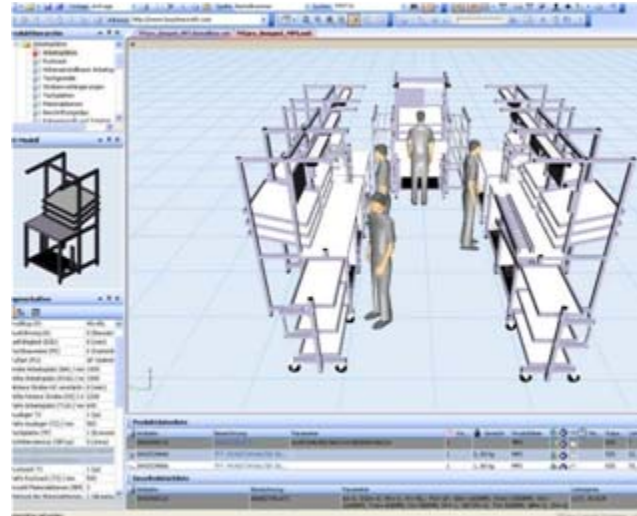
EcoShape - the Tubular Framing System

Parts List for the Application Example

Part no.	Name	Quantity
3 842 541 211	D28L round tube (custom)	25
3 842 541 213	D28 round tube with 10 mm groove (custom)	4
3 842 541 195	Cap	8
3 842 541 173	90° connector	30
3 842 541 175	45° connector	8
3 842 541 178	0° - 90° connector	12
3 842 998 196	XLean conveyor track (custom)	6
3 842 259 790	Casters	6

EcoShape - the Tubular Framing System Creating Applications

MTpro Layout Designer



- Fast planning of complete systems
- Simple construction using the drag & drop and snap functions
- No separate CAD system required



EcoShape - the Tubular Framing System

Basic Equipment 3842 555 000

- **Starter kit offered for basic customer equipment**
 - Contents:

Product name	Part no.	Quantity
D28L profile tube	3842 541 211	50x5600 mm
D28L profile tube, 10N	3842 541 213	20x5600 mm
90° connector	3842 541 173	200
45° connector	3842 541 175	20
0-90° connector	3842 541 178	20
Cross connector	3842 541 181	20
Parallel connector	3842 541 183	20
N10, 45 adapter	3842 541 187	20
N10, 30 adapter	3842 541 190	20
Cap	3842 541 195	60
Threaded sleeve	3842 541 185	60
Tube clip	3842 541 193	20
XLean rail holder adapter	3842 541 296	20
Slide rail	3842 541 196	10
Leveling foot	3842 529 025	20

EcoShape - the Tubular Framing System Applications

■ Applications:

- Pass-through racks
- Transport racks
- Supermarket racks
- Workstations
- Material shuttles



Simple and flexible designs for
individual solutions



...with Rexroth's

new EcoShape Tubular Framing System