

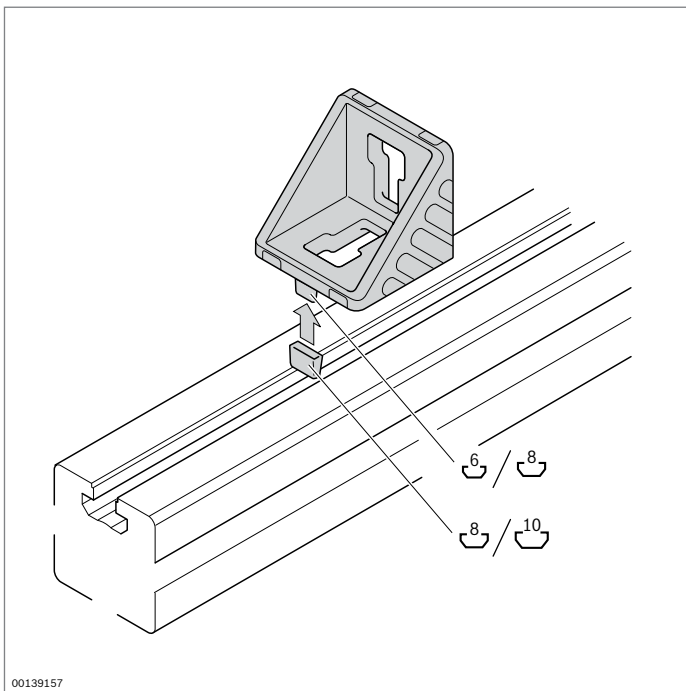
Bracket

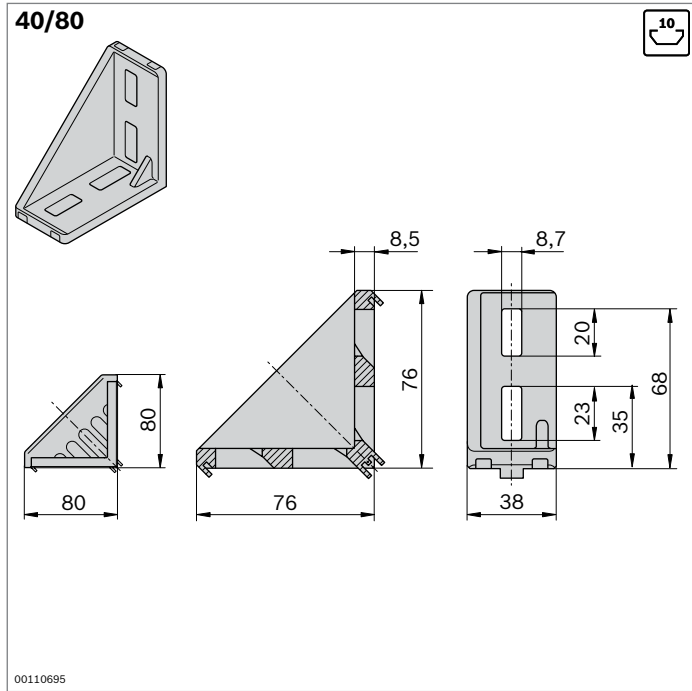


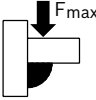
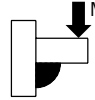
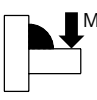
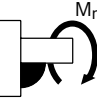
- ▶ Bracket with centering lugs for quick, precise and twist-resistant installation
- ▶ The centering lugs can simply be broken off for assembly on plates or at an angle to the slot
- ▶ *DesignLINE* version with special silver paint (RAL 9006) for an especially high-quality design
- ▶ Adapter for positioning brackets in the next largest slot
- ▶ Sliding block offset for off-center positioning of the 45/45 bracket
- ▶ Cover cap to protect from dirt, available in signal grey (RAL 7004) and black ESD (RAL 9005)
- ▶ Profile machining: not required






Technical data (p. 19-9)

Notice: The collar screws enable the brackets to be assembled really quickly and easily (p. 3-5)

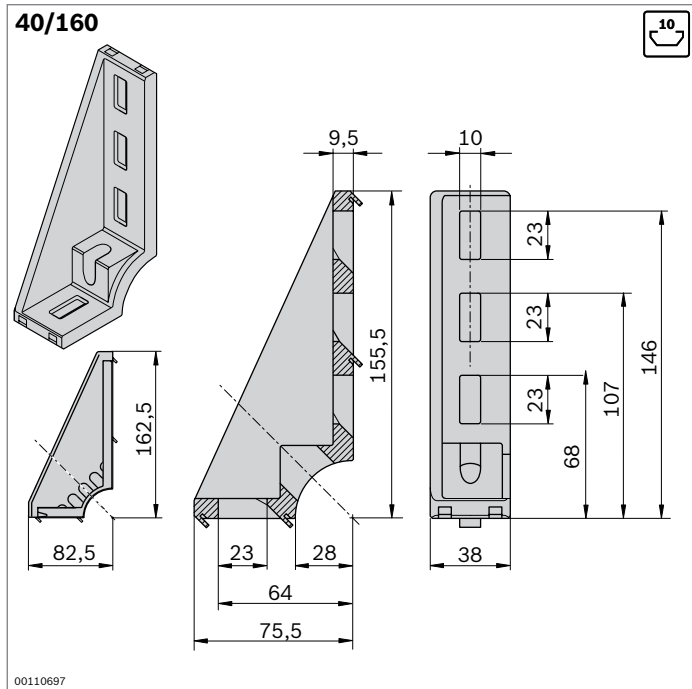
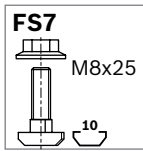


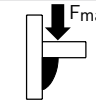
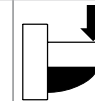
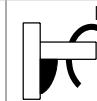






Model				
40/80	6000 N	180 Nm	400 Nm	60 Nm

40/80	Slot	ESD		No.	FS
Set (standard)	10 / 10		1	3 842 529 386	4xFS7
<i>designLINE</i> set	10 / 10		1	3 842 551 604	4xFS7
Bracket (standard)	10		20	3 842 529 005	
Cover cap, black			20	3 842 548 856	
Cover cap, signal grey			20	3 842 548 857	

Material: Bracket: diecast aluminum, vibratory ground
 Bracket *designLINE*: painted (RAL 9006)
 Cover cap: PP
 Fastening material: Steel, galvanized
 Scope of delivery: Set Incl. fastening material (FS)



Model			
40/160	9000 N	250 Nm	60 Nm

40/160	Slot	ESD		No.	FS
<i>designLINE</i> set	10 / 10		1	3 842 551 605	2xFS7
Bracket (standard)	10		20	3 842 529 006	
Cover cap, signal grey			20	3 842 548 858	
Cover cap, black			20	3 842 548 859	

Material: Bracket: diecast aluminum, vibratory ground
 Bracket *designLINE*: painted (RAL 9006)
 Cover cap: PP
 Fastening material: Steel, galvanized
 Scope of delivery: Set Incl. fastening material (FS)

