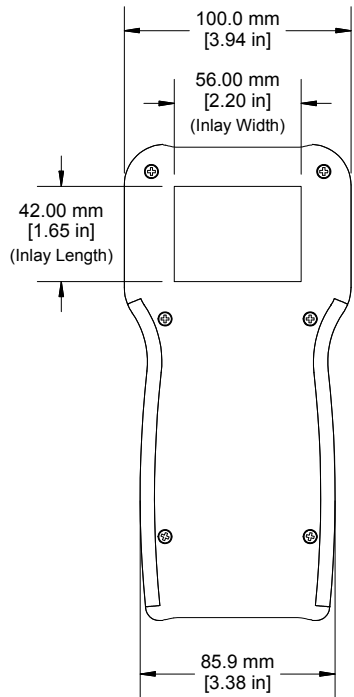
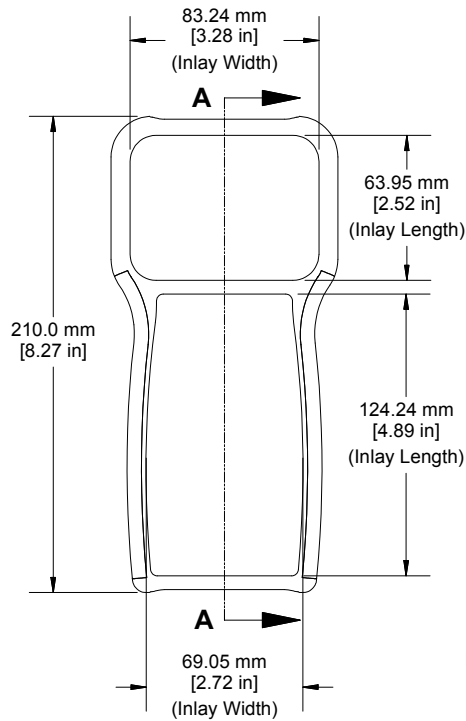


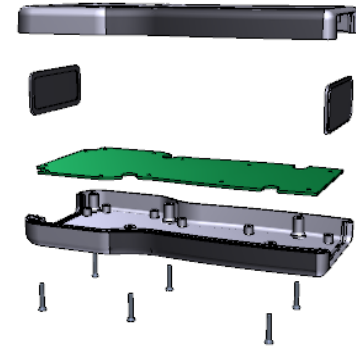
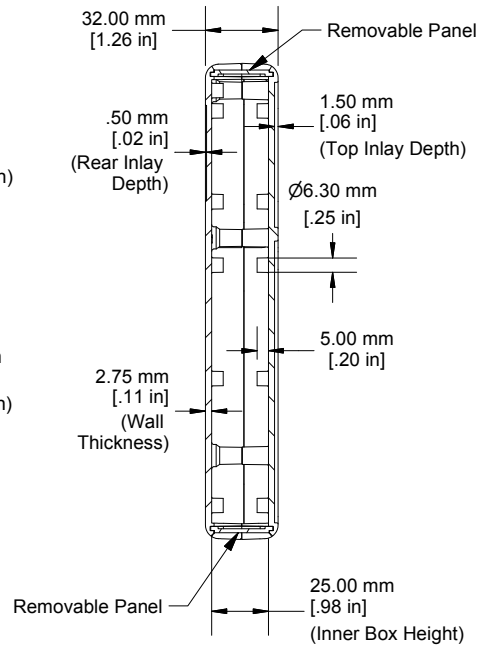
Rear View of Assembly



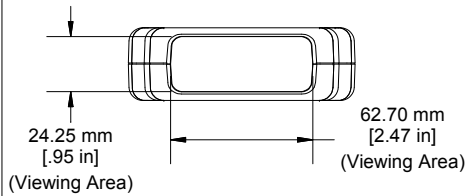
Top View of Assembly



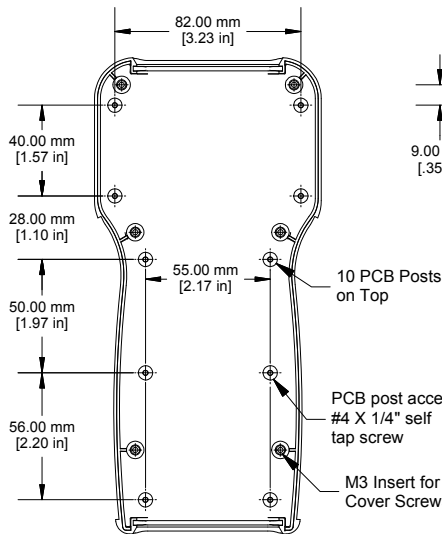
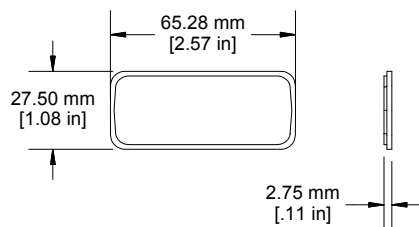
**SECTION A-A
(Side View of Assembly)**



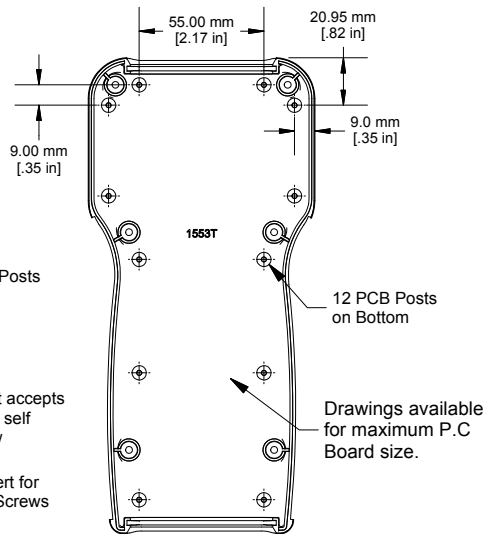
Bottom End View of Assembly



Top/Bottom Panel



Inside View of Top



Inside View of Bottom

Enclosures can be Factory Modified (Milling, Drilling, Printing etc.)
Contact Factory mjm@hammondmfg.com for quotes
Solid models of this enclosure available in STEP or IGES.

NOTE	
Enclosure molded from FR ABS (UL94-V0) plastic.	
Purchased assembly includes top and bottom cover, 2 removable panels and 6 cover screws (M3-0.5 x 18mm). M3 Brass inserts are installed to accept the cover screws. (P.C. Board not supplied)	
PART NUMBERS	
1553T Enclosure	
Black Enclosure/Grey Over-mold	1553TBK
Grey Enclosure/Grey Over-mold	1553TGY
ACCESSORIES	
Replacement Cover Screws (Pkg 100) [M3-0.5 x 18mm, Flat Head]	1594MS100 (Silver) 1594MS100BK (Black)
P.C. Board Screws [#4 x 1/4"(6.4mm) Self Tapping]	1593ATS50 (Pkg 50) 1593ATS100 (Pkg 100)



**HAMMOND
MANUFACTURING™**

1553T

www.hammondmfg.com