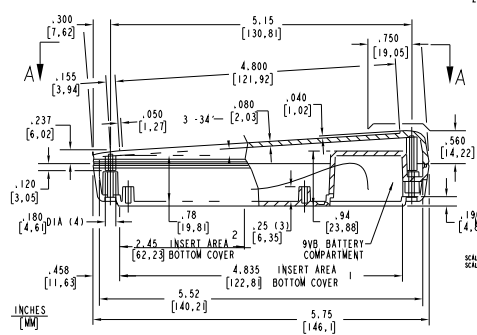
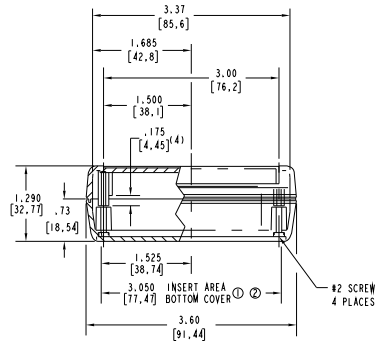
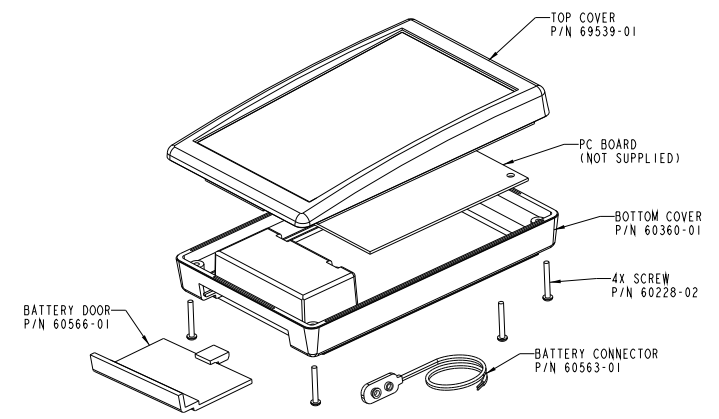
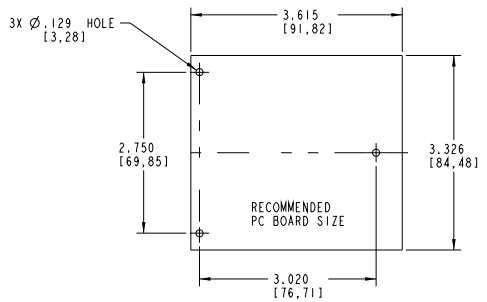


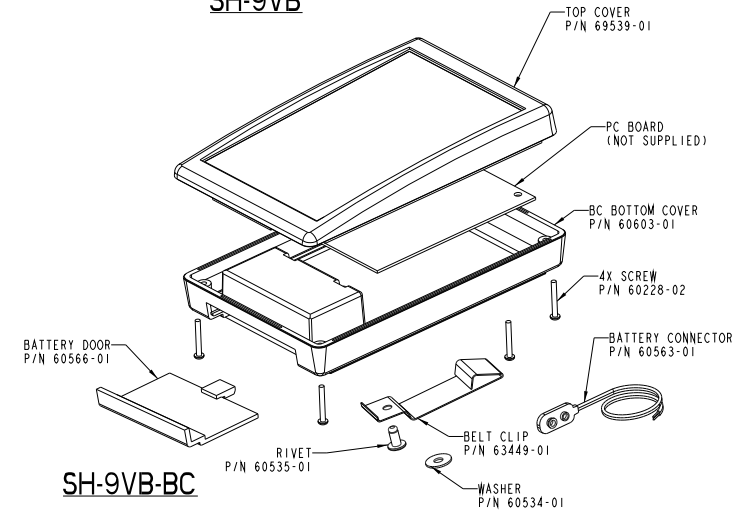
NOTE - DATUM -
 FOR CUSTOM OR MACHINING
 MODIFICATIONS USE THE
 INSERT EDGES OR BOSS
 CENTER
 1 EXTERIOR INSERT AREA, FOR
 IN MOLD MODIFICATION
 2 INTERIOR INSERT AREA, FOR
 IN MOLD MODIFICATION



69638 REV. A



SH-9VB



SH-9VB-BC

PACINTEC®
 1-610-361-4200
SH-9VB & SH-9VB-BC
 VISIT **PACINTEC®**
 ON THE WORLD WIDE WEB
www.pactecenclosures.com

COLOR / MATERIAL CODE		
COLOR	94HB	94VO
BLACK	000	028
P.C.BONE	039	060

DRAWING NUMBER	REV
69638	B