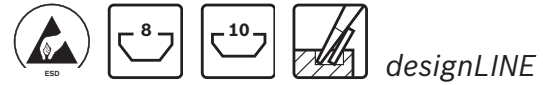
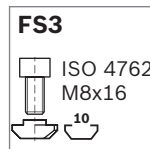
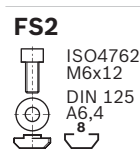
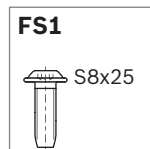
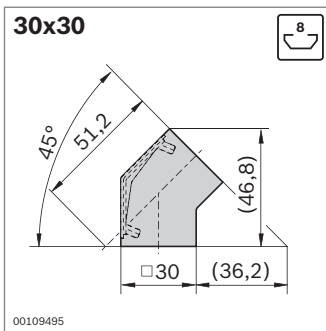


45° connector



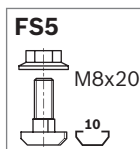
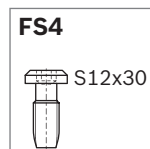
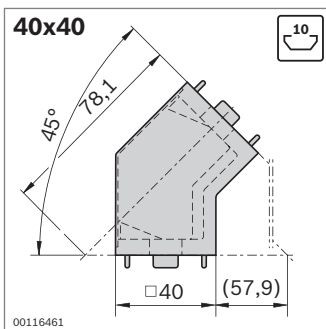
- ▶ For connecting profiles at a 45° angle
- ▶ Suitable as a frame reinforcement
- ▶ Suitable for connections at the end of the profile or in the profile slot
- ▶ 45° connectors, 40x40 and 45x45, with centering lugs for simple positioning (centering lugs can be easily broken off for assembly in the profile slot)
- ▶ *designLINE* version with special silver paint (RAL 9006) for an attractive, high-quality design
- ▶ Profile finishing: not required



45° connector	Slot	ESD	No.	FS
30x30 Set (standard)	8	⚡	3 842 518 426	2xFS1, FS2, FS3
<i>designLINE</i> set	8	⚡	3 842 538 700	2xFS1, FS2, FS3

Material: 45° connector: diecast zinc
designLINE 45° connector: painted (RAL 9006)
 Centering element, cap: PA, black
 Fastening material: steel, galvanized

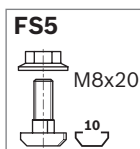
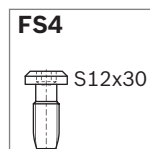
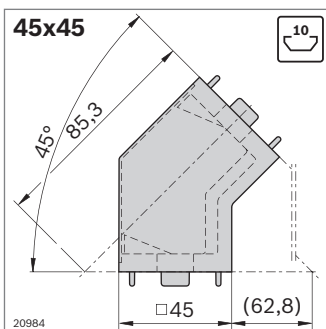
Scope of delivery: Set incl. fastening material (FS), 6x centering element, cap



45° connector	Slot	ESD	No.	FS
40x40 Set (standard)	10	⚡	3 842 532 205	2xFS4, FS5
<i>designLINE</i> set	10	⚡	3 842 538 701	2xFS4, FS5

Material: 45° connector: cast aluminum
designLINE 45° connector: painted (RAL 9006)
 Cap: PA, black
 Fastening material: steel, galvanized

Scope of delivery: Set incl. fastening material (FS), cap



45° connector	Slot	ESD	No.	FS
45x45 Set (standard)	10	⚡	3 842 535 428	2xFS4, FS5
<i>designLINE</i> set	10	⚡	3 842 538 702	2xFS4, FS5

Material: 45° connector: cast aluminum
designLINE 45° connector: painted (RAL 9006)
 Cap: PA, black
 Fastening material: steel, galvanized

Scope of delivery: Set incl. fastening material (FS), cap