



Manual links

Manual links (EcoFlow)

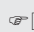
EcoFlow: custom conveyor tracks

 4-4

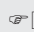
EcoFlow: conveyor track components

 4-6


EcoFlow: roller carriers

 4-8


EcoFlow: roller mounts

 4-9


EcoFlow: lateral guides

 4-10


EcoFlow: rollers

 4-11


EcoFlow: protective covers, brakes

 4-12


EcoFlow: flexible bridges

 4-13


EcoFlow: curved sections (kit)

 4-14


Corner table tops

 4-15


Corner base for table tops

 4-16


EcoFlow: ball rollers

 4-17


EcoFlow: stops

 4-18


EcoFlow: corner pieces, transverse conveyors

 4-19

EcoFlow: stop gates

 4-20

EcoFlow: workpiece pallets

 4-22

Manual links

EcoFlow components

You can use our EcoFlow for building material flow systems to link manual workstations, as well as in storage and consignment areas.

Using EcoFlow, materials in the most diverse containers, such as blisters and small parts containers, can be supplied directly to the workstation or via a supermarket shelf (☞ 3-10).

Using custom conveyor tracks, you can e.g. individually link workstations. Here, you define the necessary track width, as well as the conveyor medium suitable for your application.

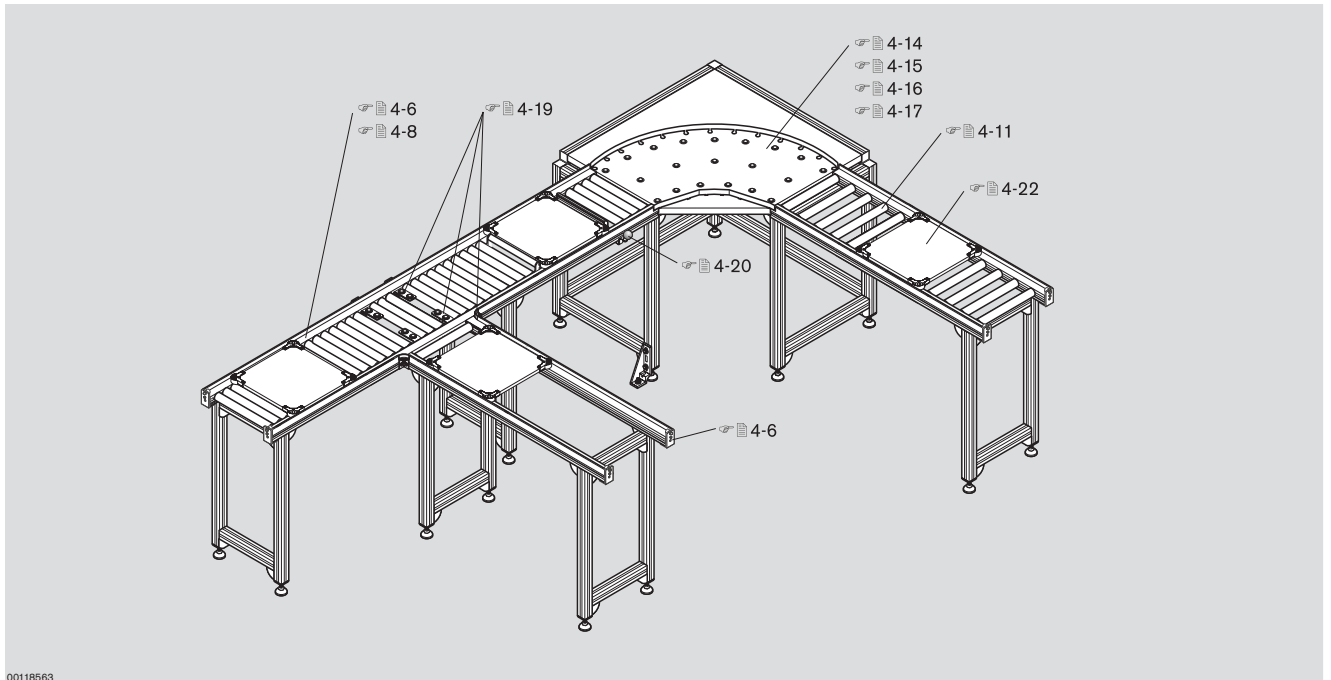
Complete workpiece pallets are available to transport workpieces.

Supplementary accessories can be used to flexibly extend flow rack systems and conveyor tracks.



00126506

Manual links



00118563



0011642

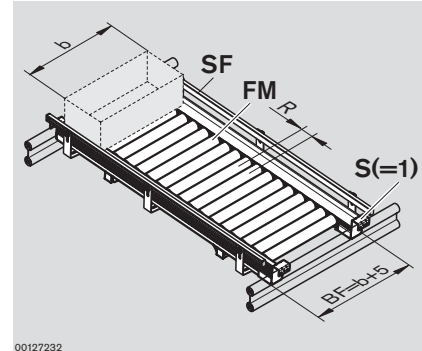
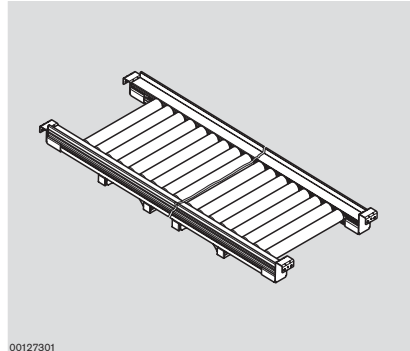
Manual links

EcoFlow: conveyor tracks, rail holders



Conveyor track based on aluminum profiles with uniform rollers made of plastic, steel, or stainless steel. For very high conveyor track loads. Conveyor tracks are suspended simply and securely on the single or double tubular cross tie with a rail holder. Rexroth recommends a gradient of $G = 6\%$.

Accessories: brake (☞ 4-12), tube clip (☞ 3-62)



Conveyor track EcoFlow with rail holder

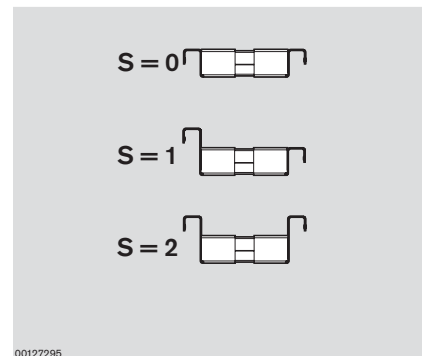
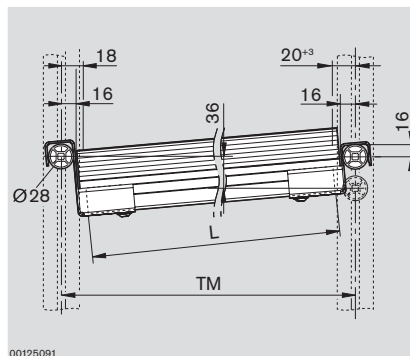
Material no.
3 842 998 258

Ordering parameters for 3 842 998 258

- A (0 = kit, 1 = assembled) _____ = ... (0, 1)
- ESD (0 = no, 1 = yes) _____ = ... (0, 1)
- TM Horizontal distance of cross tie center _____ = ... (355-6000) mm
- G Gradient _____ = ... (0-10)%
- FM Conveyor medium _____ = ... (K, S, E)¹⁾ (☞ 4-11)
(K = plastic, S = steel, E = stainless steel)
- BF Conveyor track width _____ = ... (200-1000) mm²⁾ (☞ 6-15)
- S Rail holder design _____ = ... (0, 1, 2)
- SF Lateral guide (0 = no, 1 = yes) _____ = ... (0, 1) (☞ 3-37)
- R Roller distance (0 = 50 mm, 1 = 100 mm) _____ = ... (0, 1)

¹⁾ (FM = K, E) not with (ESD = 1)

²⁾ For (FM = K), BF = 200 - 600 mm applies



TM [mm]	G [%]	L [mm]
1000	0	962.0
1000	6	961.7
1000	10	963.5

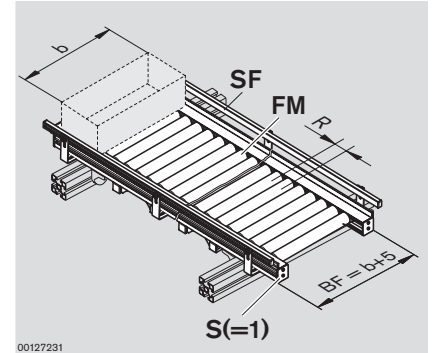
Manual links

EcoFlow: conveyor tracks, stop plates



Conveyor track based on aluminum profiles with uniform rollers made of plastic, steel, or stainless steel. For very high conveyor track loads. In conveyor tracks with stop plates, the U-profile is fastened via the 10 mm groove on the underside of the profile, e.g. on other profiles using brackets, or on tubular cross ties using tube clips.

Accessories: brake (☞ 4-12), tube clip (☞ 3-62), holder for double round tube (☞ 3-62)



Conveyor track EcoFlow with stop plate

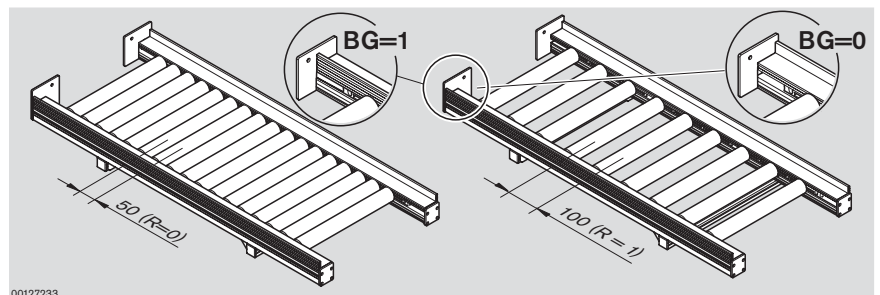
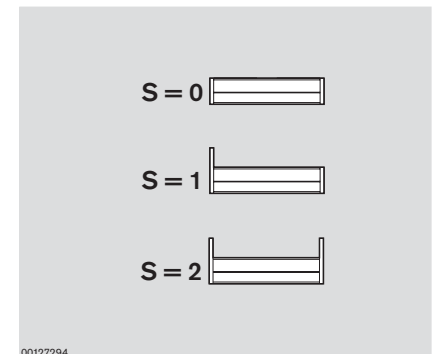
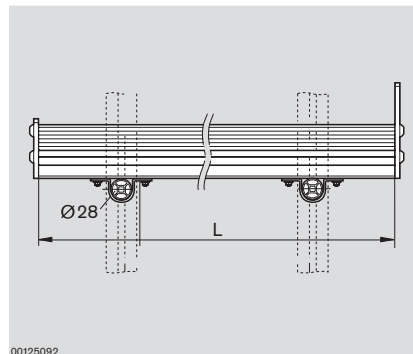
Material no.

3 842 998 278

Ordering parameters for 3 842 998 278

- A (0 = kit, 1 = assembled) _____ = ... (0, 1)
- ESD (0 = no, 1 = yes) _____ = ... (0, 1)
- L Conveyor track length _____ = ... (355-6000) mm
- FM Conveyor medium _____ = ... (K, S, E)¹⁾ (☞ 4-11)
(K = plastic, S = steel, E = stainless steel)
- BF Conveyor track width _____ = ... (200-1000) mm²⁾ (☞ 6-15)
- S Stop plate design _____ = ... (0, 1, 2)
- SF Lateral guide (0 = no, 1 = yes) _____ = ... (0, 1)³⁾ (☞ 3-37)
- R Roller distance (0 = 50 mm, 1 = 100 mm) _____ = ... (0, 1)
- BG Slide rail border (0 = outside, 1 = inside) _____ = ... (0, 1)

¹⁾ (FM = K, E) not with (ESD = 1)
²⁾ For (FM = K), BF = 200 - 600 mm applies
³⁾ (SF = 1) only with (BG = 0)



(☞ 6-15)

Manual links

EcoFlow: conveyor track components



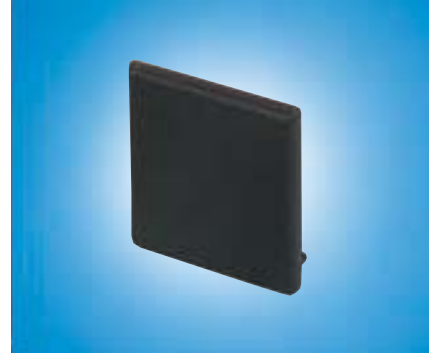
For fast, simple construction of conveyor tracks or manual slide sections.

Material:

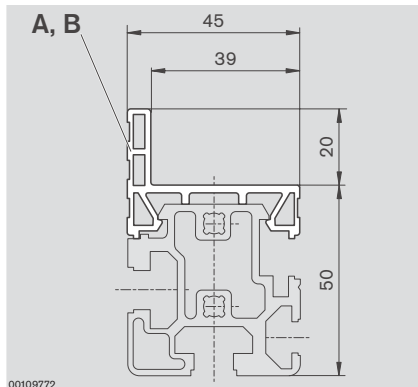
- A PVC, gray
- B PVC, black, conductive to $10^6 \Omega$ (DIN EN 61 340-5-1)
- C Aluminum, natural, anodized
- D PA, black



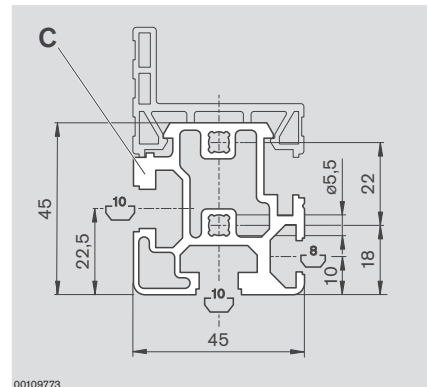
00111632



00111697



00109772



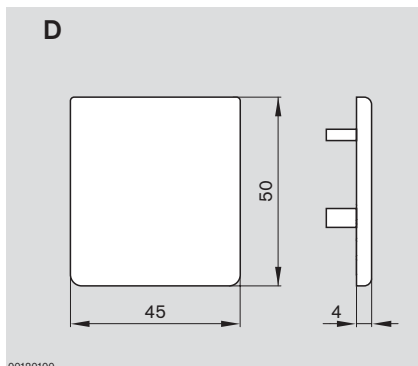
00109773

EcoFlow guide profiles

		Material no.
A	10	3 842 525 443
B	10	3 842 526 034
L = 3000 mm		
A	1	3 842 993 511
B	1	3 842 993 512
30 mm ≤ L ≤ 3000 mm		

EcoFlow section profiles

	LE	Material no.
C	1	3 842 993 029/...
30 mm ≤ L ≤ 6070 mm		
C	20	3 842 537 321
L = 6070 mm		

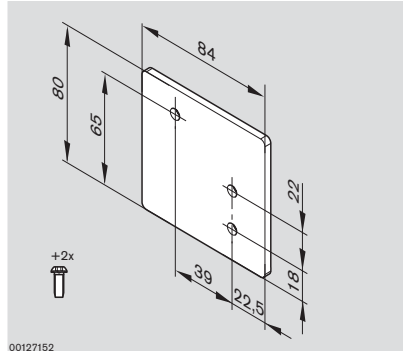
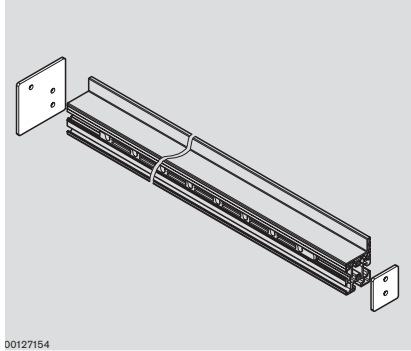


00120100

Cap

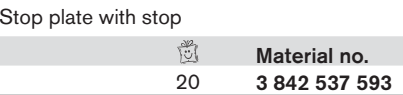
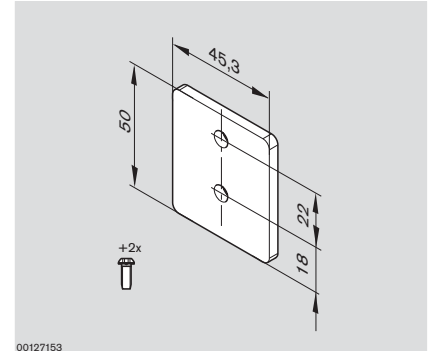
		Material no.
D	20	3 842 525 457

Manual links



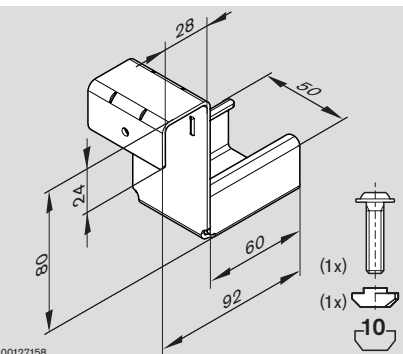
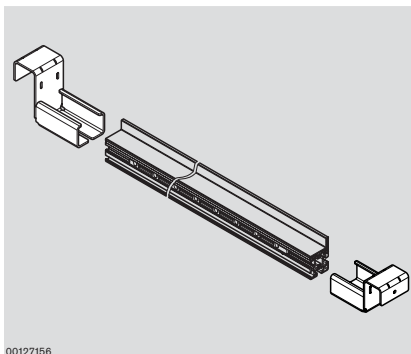
Stop plate with stop

	Material no.
20	3 842 537 593



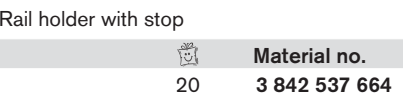
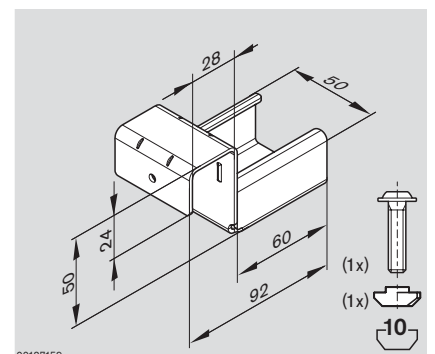
Stop plate without stop

	Material no.
20	3 842 537 592



Rail holder with stop

	Material no.
20	3 842 537 664



Rail holder without stop

	Material no.
20	3 842 537 665

Manual links

EcoFlow: roller carriers

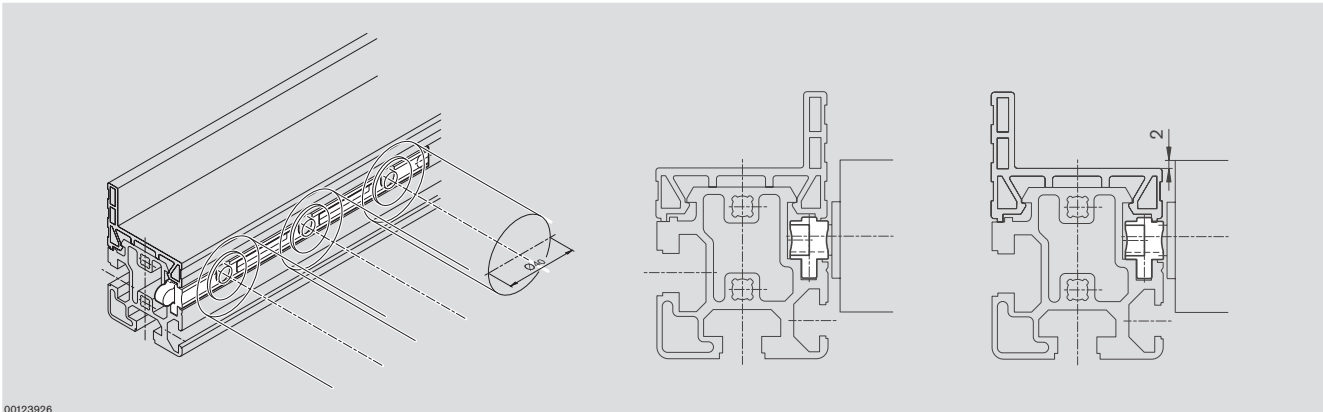


For fast, simple construction of conveyor tracks when combined with section and guide profiles (☞ 4-6). The elements are joined by means of interlocking connections.

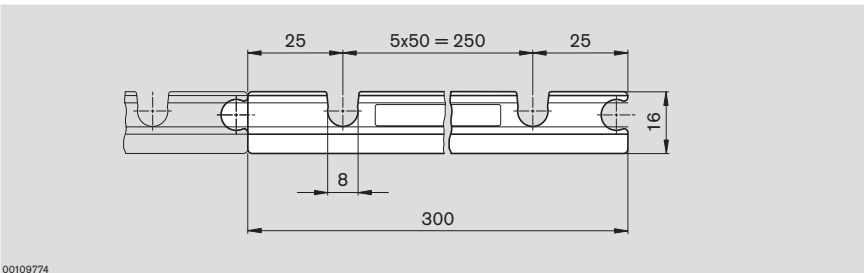
Material: ABS, black, conductive to $10^6 \Omega$ (DIN EN 61 340-5-1).



0011634



00123926



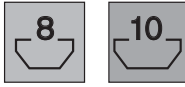
00109774

EcoFlow roller carrier

	Material no.
10	3 842 535 683

Manual links

EcoFlow: roller mounts



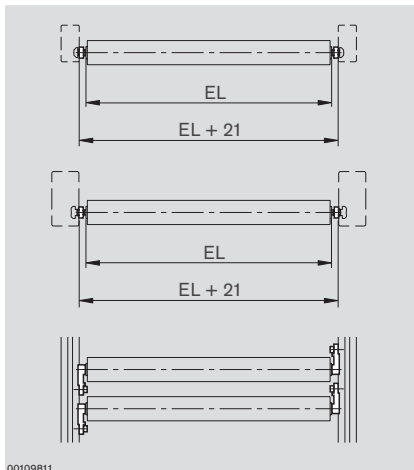
For fast, simple construction of conveyor tracks when combined with strut profiles e.g. 45x45L.

The roller mount can be inserted easily and makes it possible to replace individual rollers without disassembling the whole frame.

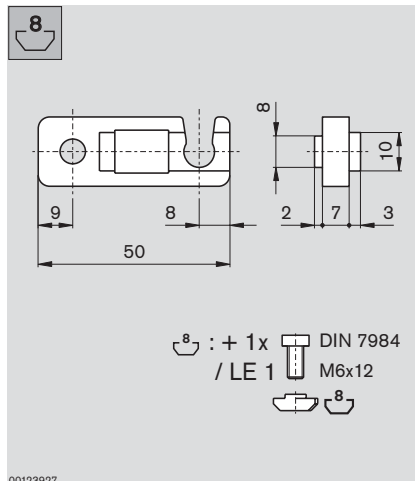
Material: PA, black



0011644



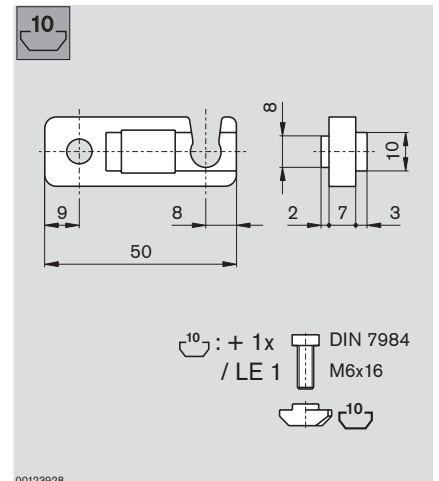
00109811



00123927

EcoFlow roller mount

	Material no.
10	3 842 535 667



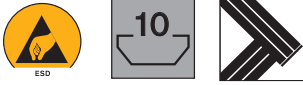
00123928

EcoFlow roller mount

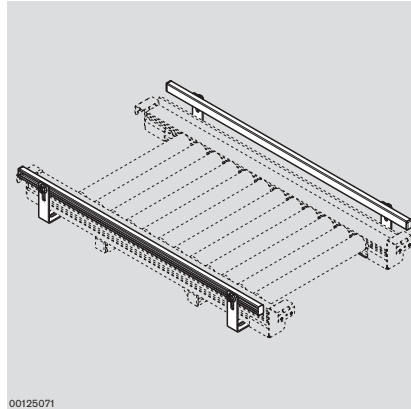
	Material no.
10	3 842 535 668

Manual links

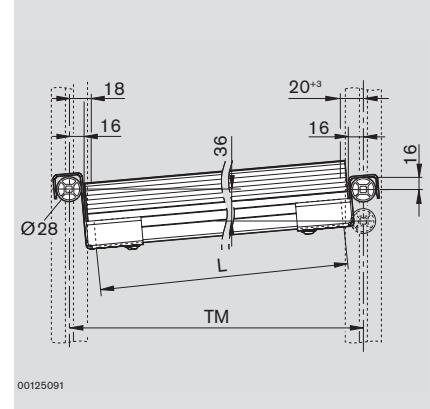
EcoFlow: lateral guides



Lateral guides in variable lengths for installation on the conveyor tracks are available to securely transport your products. The lateral guide can be adjusted horizontally and vertically.



00125071



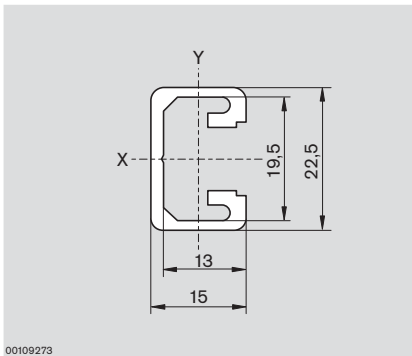
00125091

Lateral guide EcoFlow

Material no.
3 842 998 315

Ordering parameters for 3 842 998 315

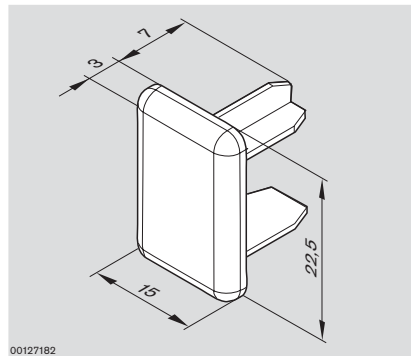
TM Horizontal distance of cross tie center _____ = ... (355-6000) mm
G Gradient _____ = ... (0-10) %



00109273

Profile 15x22.5

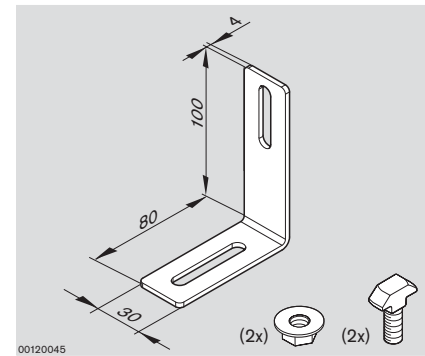
Material no.
3 842 992 473 / ...
30 mm ≤ L ≤ 3000



00127182

Cap

Material no.
20 **3 842 537 594**



00120045

Mounting bracket

Material no.
20 **3 842 535 125**

LE **Material no.**
10 **3 842 513 576**
L = 2000 mm

Manual links

EcoFlow: rollers

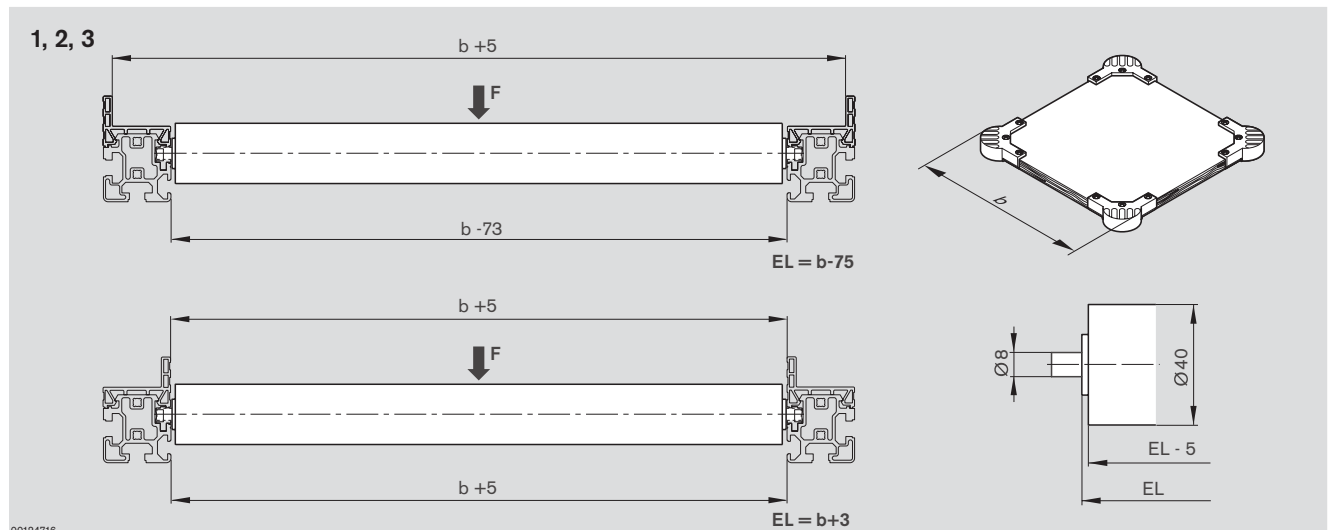


In the section profile, the rollers are inserted in roller carriers (☞ 4-8); in strut profiles, they are inserted with roller mounts (☞ 4-9).

Steel rollers combined with conductive conveyor track components are suited for use in ESD-conductive systems.



00111635



00124716

Roller: steel, galvanized

F [N]	Material no.
500	☚ 3 842 994 988

Ordering parameters for 3 842 994 988

EL Roller length _____ = ... (105-1005) mm

Roller: plastic

F [N]	Material no.
150	3 842 994 989

Ordering parameters for 3 842 994 989

EL Roller length _____ = ... (105-605) mm

Roller: stainless steel

F [N]	Material no.
150	3 842 995 008

Ordering parameters for 3 842 995 008

EL Roller length _____ = ... (105-1005) mm

EcoFlow rollers, standard

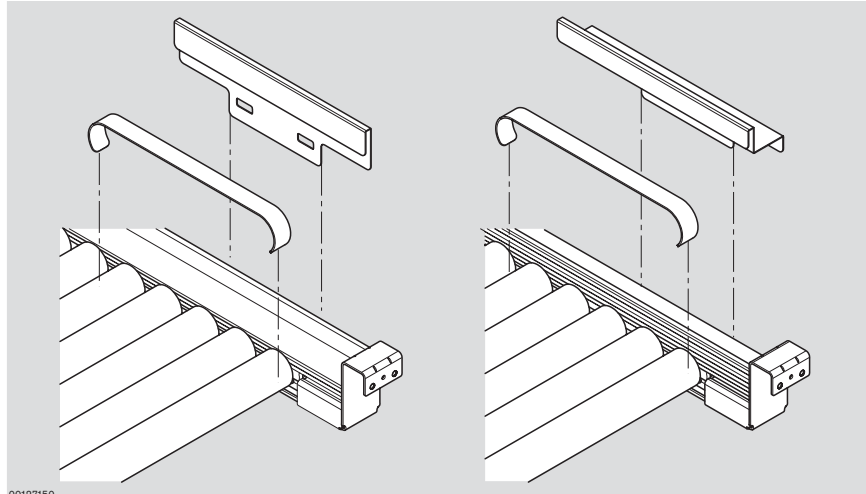
	F [N]	EL [mm]	Material no.
Steel, galvanized	500	225	☚ 3 842 525 737
		325	☚ 3 842 525 738
		425	☚ 3 842 525 739
		525	☚ 3 842 537 163
Plastic	150	225	3 842 525 740
		325	3 842 525 741
		425	3 842 525 742
		525	3 842 537 164

Manual links

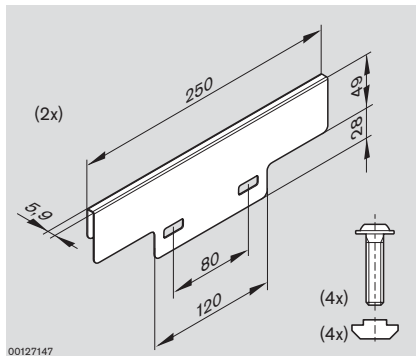
EcoFlow: protective covers, brakes

A protective cover can be mounted to shield the border of the slide rails when loading the conveyor tracks.
The brake is clipped over the rollers and gently brakes containers.

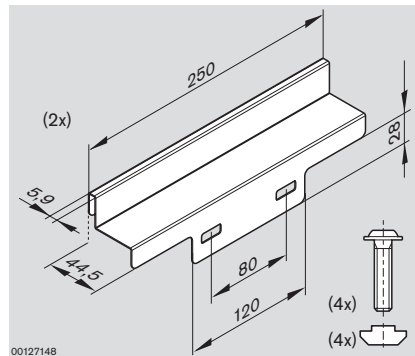
Protective cover scope of delivery: 2 protective covers each incl. fastening material
Protective cover and brake material: steel, galvanized



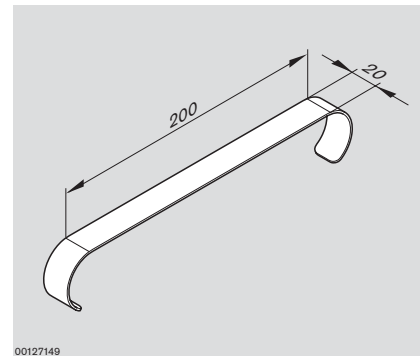
00127150



00127147



00127148



00127149

Outer slide rail protective cover (BG = 0)

	Material no.
Set	3 842 537 583

Inner slide rail protective cover (BG = 1)

	Material no.
Set	3 842 537 584

Brake EcoFlow

	Material no.
20	3 842 537 740

Manual links

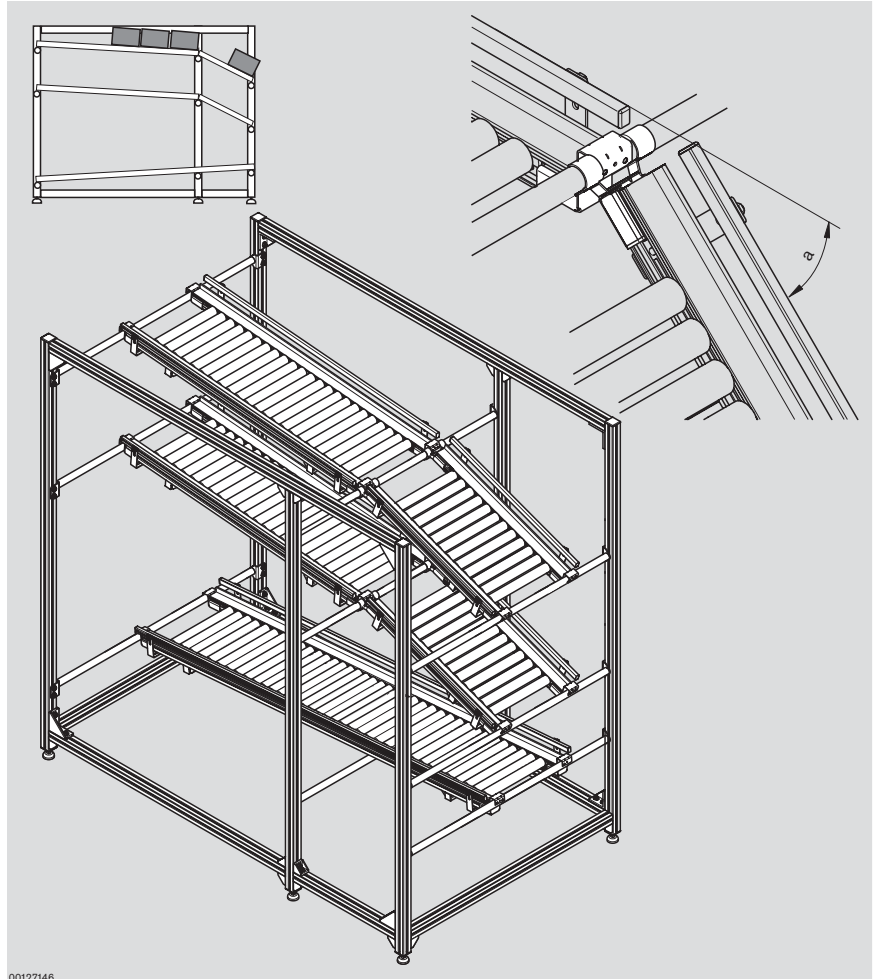
EcoFlow: flexible bridges

Flexible bridge for ergonomic supply of containers in the flow rack system or at the workstation. The container is stopped at the flexible bridge and manually moved into an ergonomic removal position.

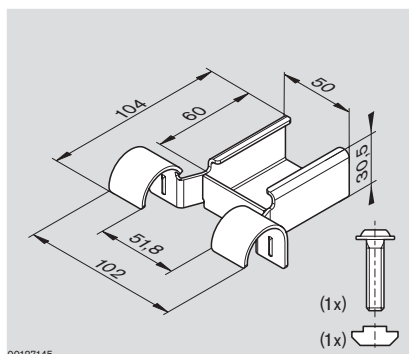
Large bracket a:

- Max. 40° from horizontal position with tubular cross tie
- Max. 30° from horizontal position with double tubular cross tie

Flexible bridge material: steel, galvanized
Accessories: lift aid (☞ 3-44)




00127146



00127145

Flexible bridge

	Material no.
(1x) 	20
(1x) 	3 842 537 950

Manual links

EcoFlow: curved sections (kit)



Assembly kit for easy mounting of a curved section on a corner table top.
For roller length EL [mm] = 325, 425, 525

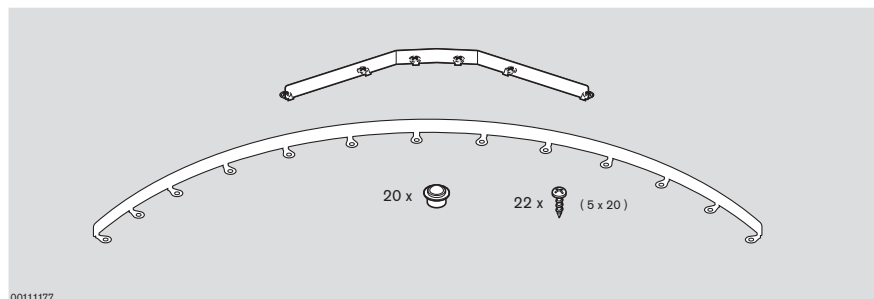
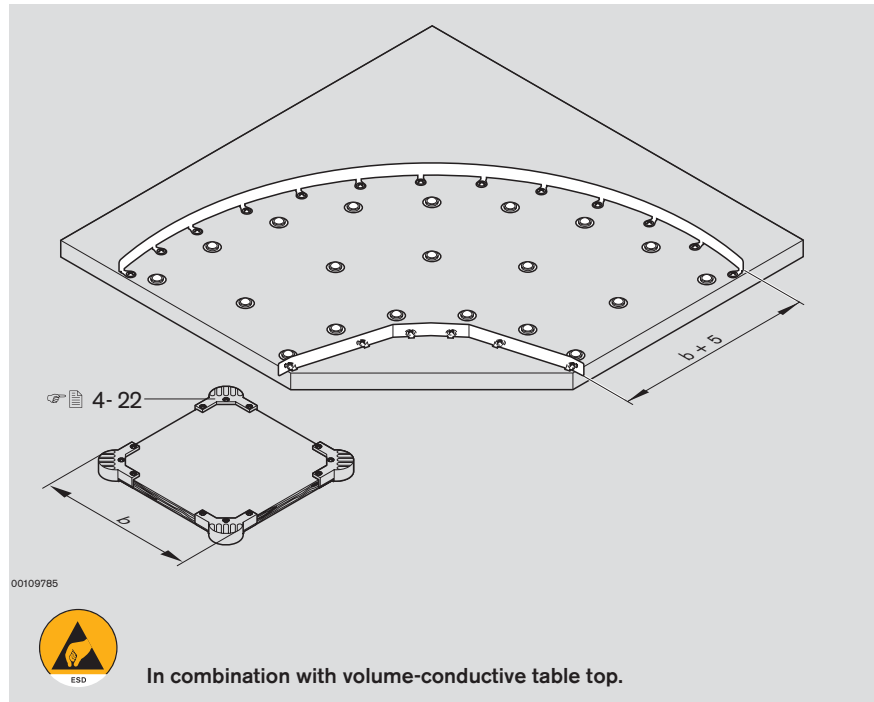
Scope of delivery:

- Inner and outer guide with fastening screws
- 20 ball rollers
- Drilling template to aid with assembly

Components required for constructing a curve:

- Curved section assembly kit
- Corner table top (☞ 4-15)

Curve belt material: stainless steel



EcoFlow curved section (kit)

Material no.
3 842 525 756

Manual links

Corner table tops



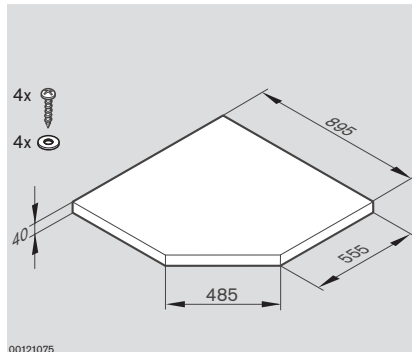
Economic

Suitable for use with normal mechanical strain on the table top surface.

Material: coated chipboard, layer thickness 0.1 mm

Color: light gray, RAL 7035

Edge protector material: ABS



Economic

Material no.

3 842 521 675

Basic ESD ⚠

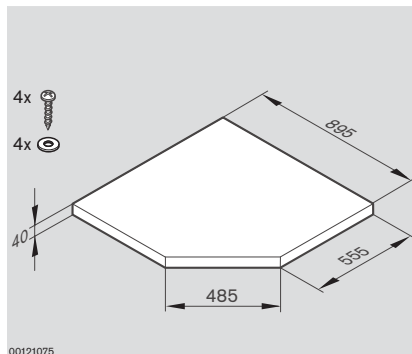
Suitable for use with high mechanical strain on the table top surface.

Material: coated chipboard with volume-conductive material, layer thickness 0.8 mm.

Specific resistance $R_v = 1 \times 10^5 - 1 \times 10^7 \Omega$ (DIN EN 61 340-5-1)

Color: light gray RAL 7035

Edge protector material: ABS



Basic ESD

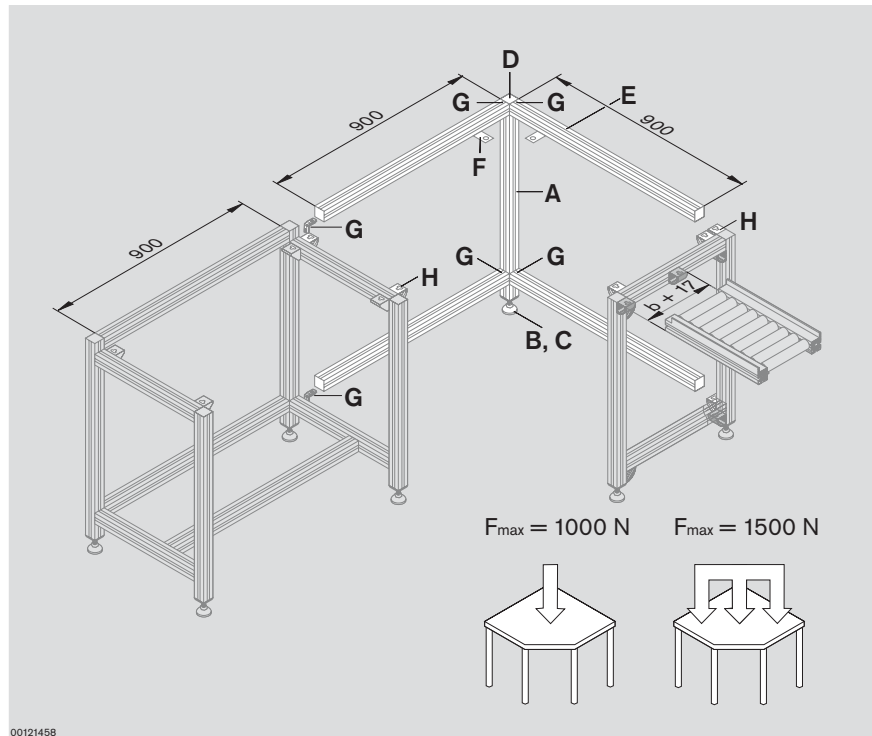
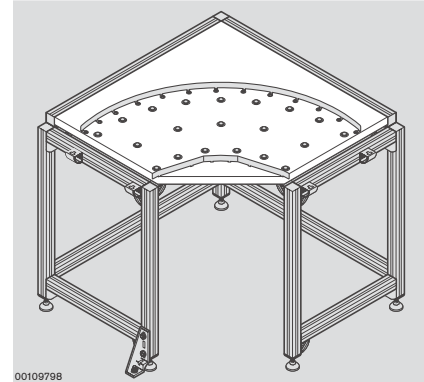
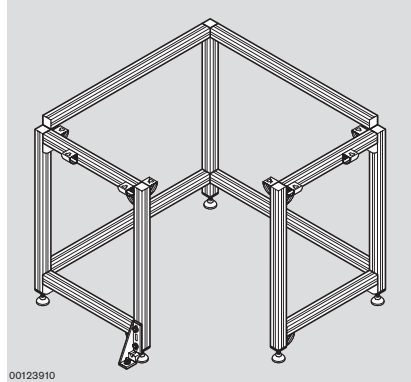
Material no.

⚠ 3 842 537 247

Manual links

Corner bases for table tops – application example

You can use Rexroth strut profiles to tailor corner bases for table tops to your needs. Detailed information on strut profiles can be found in the "Basic Mechanical Elements catalog" (3 842 529 114) (☞ 14-11).



	h [mm]		Material no.	
A	900	1x	3 842 992 426 / 850 mm	☞ MGE
	1000	1x	3 842 992 426 / 950 mm	☞ MGE
B		1x	3 842 352 061	☞ MGE
C		1x	3 842 523 442	☞ MGE
D		1x	3 842 502 674	☞ MGE
E		4x	3 842 992 425 / 900 mm	☞ MGE
F		1x	3 842 521 677	
G		6x	3 842 535 571	☞ MGE
H		6x	3 842 523 561	☞ MGE

E-Mail: mps.rexroth@boschrexroth.de
 Tel: +49 (0)711/811-30698
 Fax: +49 (0)711/811-30364

Manual links

EcoFlow: ball rollers

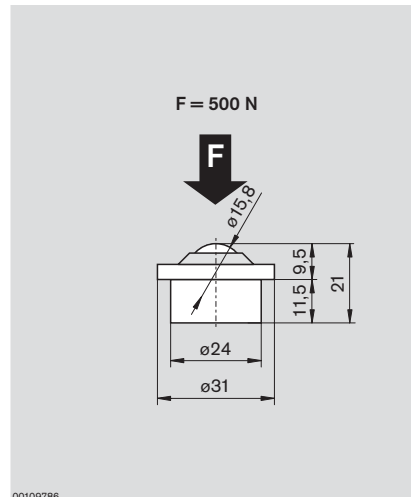


Ball rollers are required to build curves (☞ 4-14). If a volume-conductive (ESD) table top (☞ 4-15) is used, the curves are also suitable for ESD-conductive systems.

Housing material: steel, galvanized
Ball material: stainless steel



00127203



EcoFlow ball roller

Material no.

 3 842 525 748

Manual links

EcoFlow: stops

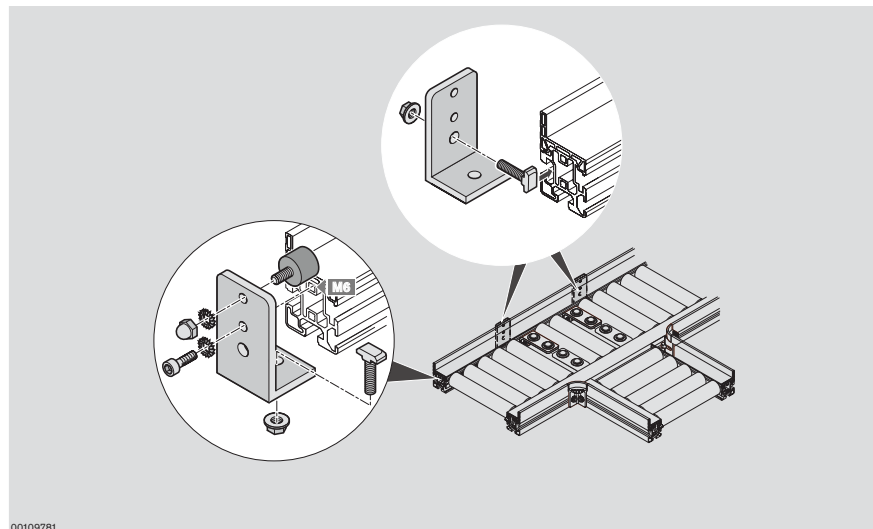


The stop with rubber buffer for the EcoFlow section profile (☞ 4-6) brings the workpiece pallet to a gentle halt.

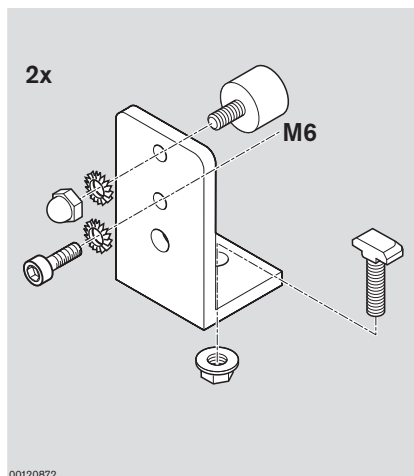
Material: aluminum, natural, anodized/PUR



0011633



00109781



00120872

EcoFlow stop

	Material no.
☞ Set	3 842 536 057

Manual links

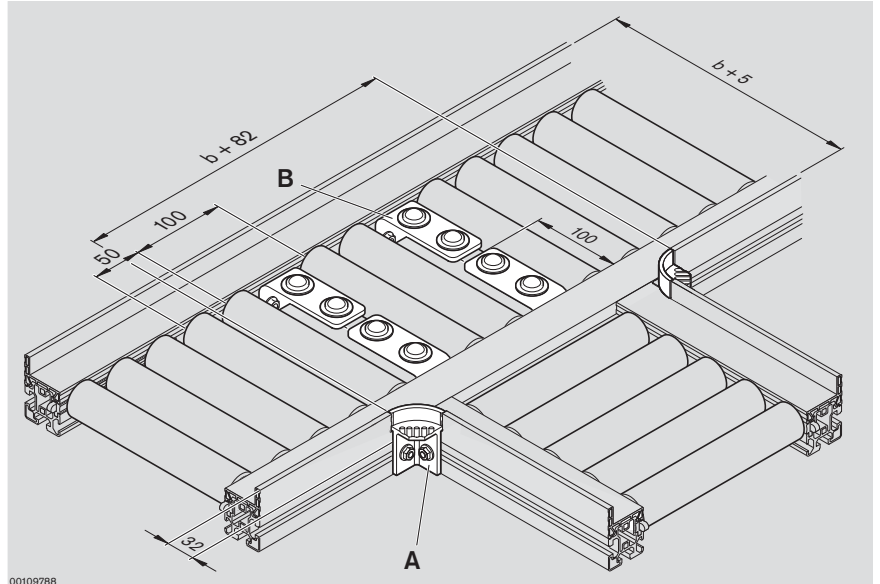
EcoFlow: corner pieces, transverse conveyors



For connecting adjacent 90 degree transfer sections. The sections are fastened at the same level.

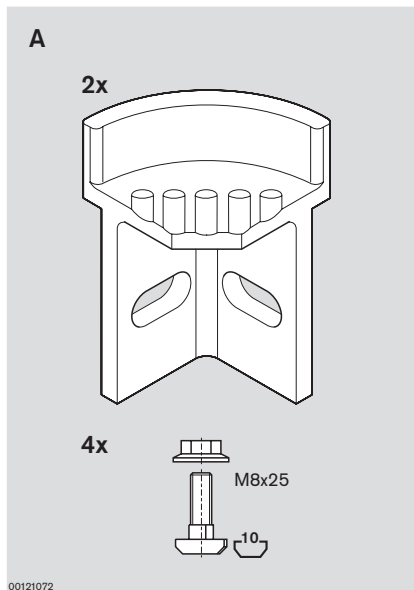
Corner piece material: A: PA, black, conductive to $10^6 \Omega$

Transverse conveyor material: B: steel, galvanized



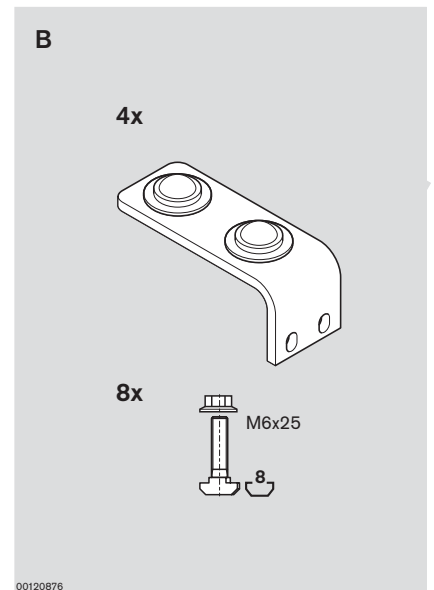
00109788

4



EcoFlow corner piece

	Material no.
A	Set 3 842 536 056



EcoFlow transverse conveyor

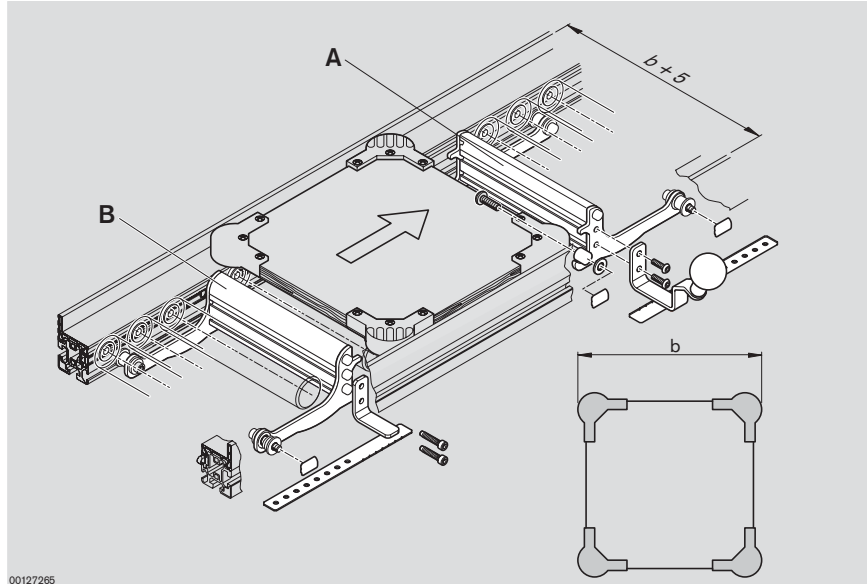
	Material no.
B	Set 3 842 536 055

Manual links

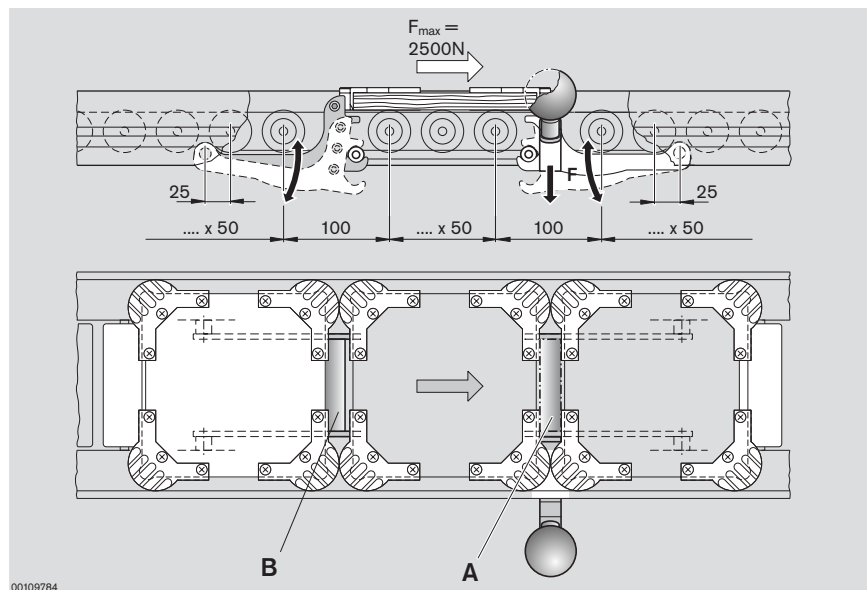
EcoFlow: custom stop gates



Use the stop gate (A) and return stop (B) to position workpiece pallets at the workstation. Sufficient leg room must be taken into consideration if a stop gate and return stop are used. The stop gate and return stop require 45 mm more space below the bottom.



00127265



00109784

Stop gate incl. manual pushbutton

Material no.
3 842 995 007

Ordering parameters for 3 842 995 007

EL Roller length _____ = ... (105-1005) mm

Return stop

Material nr.
3 842 995 017

Ordering parameters for 3 842 995 017

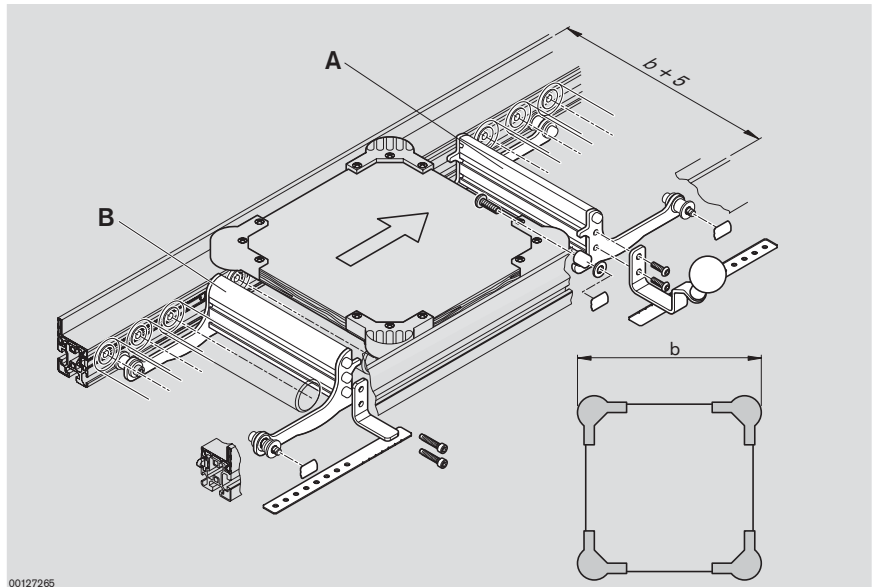
EL Roller length _____ = ... (105-1005) mm

Manual links

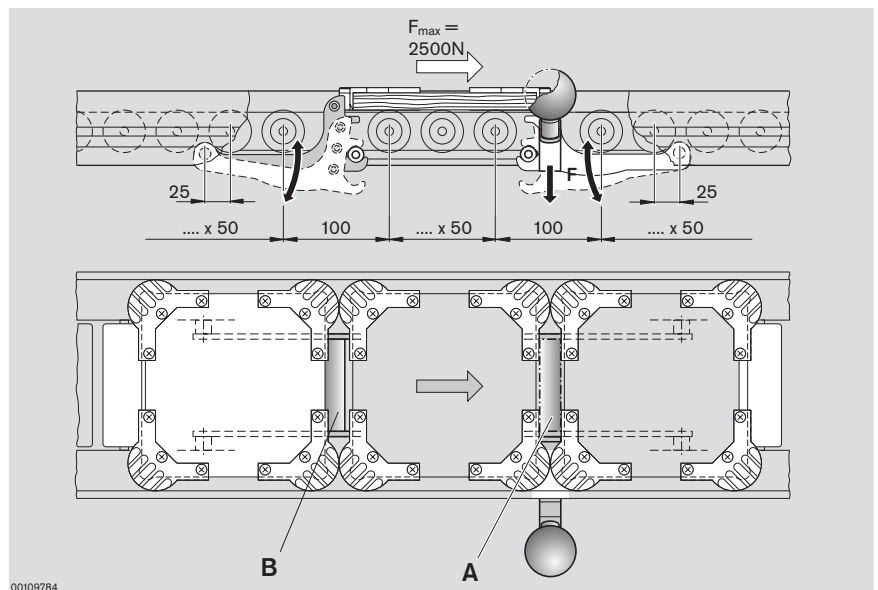
EcoFlow: stop gates/return stops



Use the stop gate (A) and return stop (B) to position workpiece pallets at the workstation.



00127265



00109784

EcoFlow stop gate incl. manual pushbutton

	b [mm]	Material no.
A	300	3 842 537 894
	400	3 842 537 895
	500	3 842 537 896
	600	3 842 537 897

EcoFlow return stop

	b [mm]	Material no.
B	300	3 842 537 898
	400	3 842 537 899
	500	3 842 537 900
	600	3 842 537 901

Further section widths available on request

E-Mail: mps.rexroth@boschrexroth.de

Tel.: +49 (0)711/811-30698

Fax: +49 (0)711/811-30364

Manual links

EcoFlow: workpiece pallet corner pieces

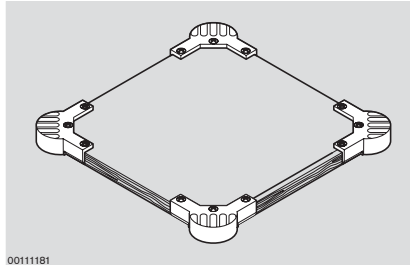


Produce workpiece pallets from the most diverse materials quickly and simply.

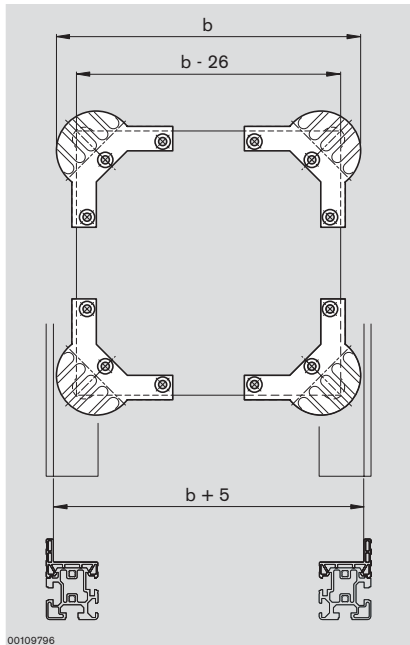
The corner pieces offer the following functions:

- Isolation of parts from a pallet queue
- Well-defined guidance and stopping surfaces
- Good transition through curves
- Avoidance of edges where trapping may occur
- A prerequisite in order for the stop gate, return stop, curved section, and transverse conveyor to function well.

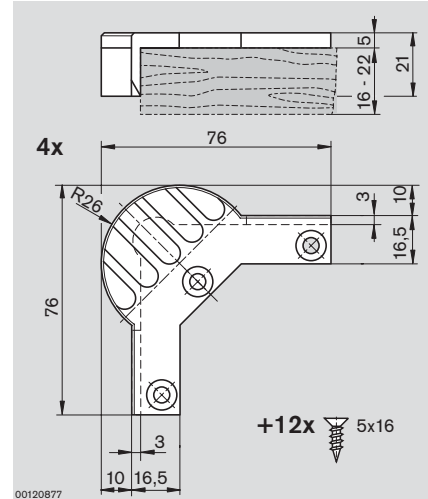
Material: PA, black, conductive to $10^6 \Omega$ (DIN EN 61 340-5-1).



00111181



00109796



00120877

EcoFlow workpiece pallet corner pieces

Material no.	
Set	3 842 536 054