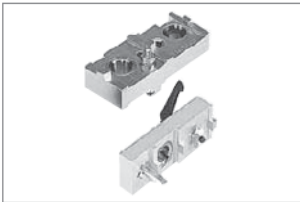
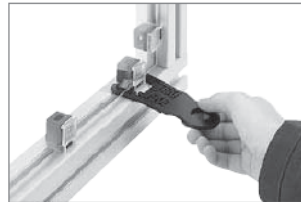


Tools

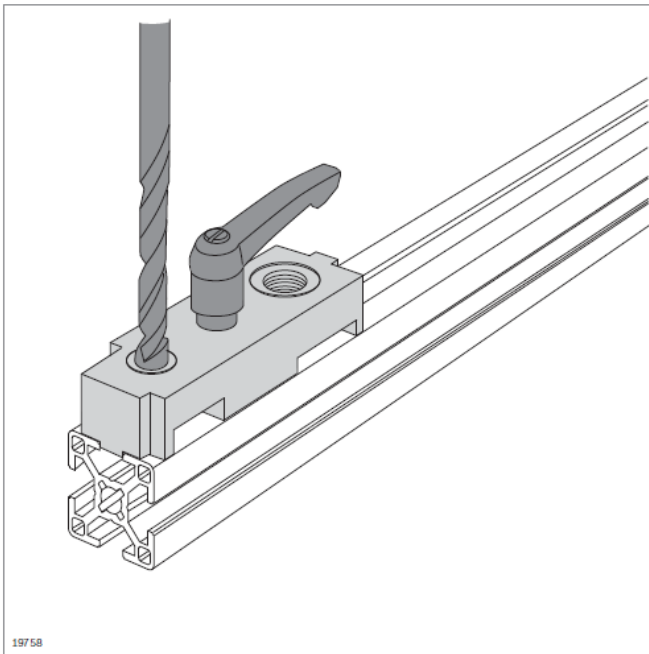


Drilling jigs (p. 14-2)



Variofix remover,
flexible grinder for anodized
surfaces (p. 14-7)

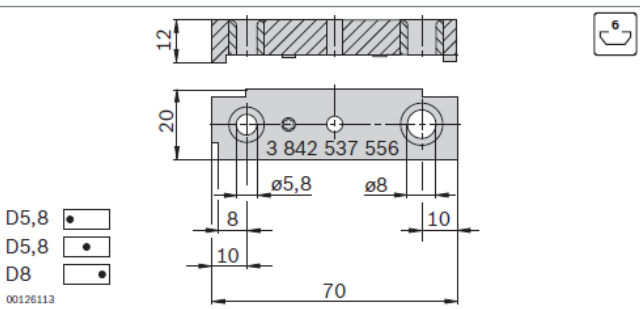
Let us send you information on the complete product range
of Bosch power tools!



Drilling jigs



- ▶ For simple drilling of standard holes for the Rexroth range of connectors
- ▶ Stopping surfaces and edges for precise hole positioning
- ▶ Lockable



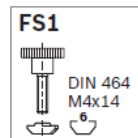
Drilling jigs – slot 6 mm

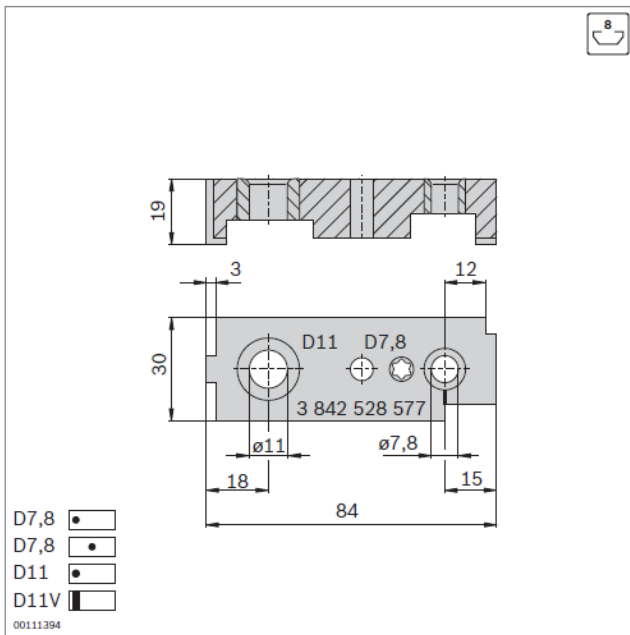
- ▶ For through holes ($\varnothing 5.8$) for hexagonal-star socket screwdrivers T25
- ▶ For fastening holes ($\varnothing 8$) for quick connectors

Drilling jig	No.	FS
Slot 6 mm	3 842 537 556	FS1

Material: Aluminum

Scope of delivery: Incl. fastening material (FS)





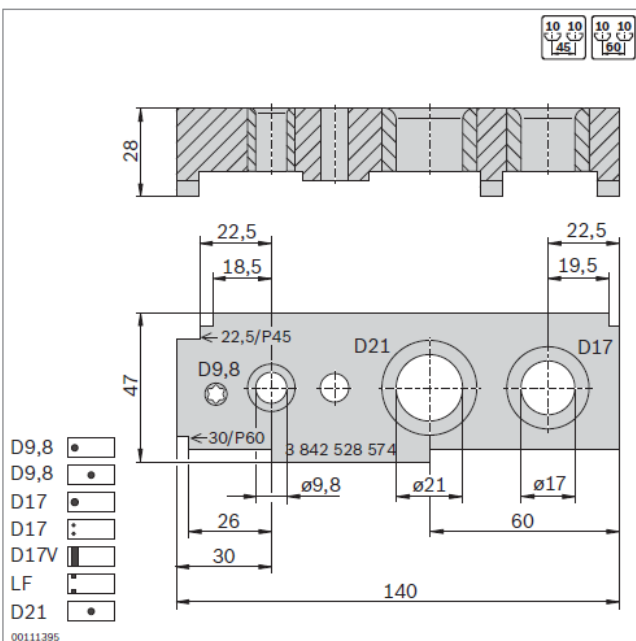
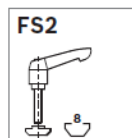
Drilling jigs – slot 8 mm

- ▶ For through holes (Ø 7.8) for hexagonal-star socket screwdrivers T40
- ▶ For fastening holes (Ø 11) for quick connectors

Drilling jig	No.	FS
Slot 8 mm	3 842 528 577	FS2

Material: Steel, galvanized, chromated transparent

Scope of delivery: Incl. fastening material (FS)



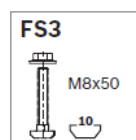
Drilling jigs – slot 10 mm, modular dimensions 45, 60

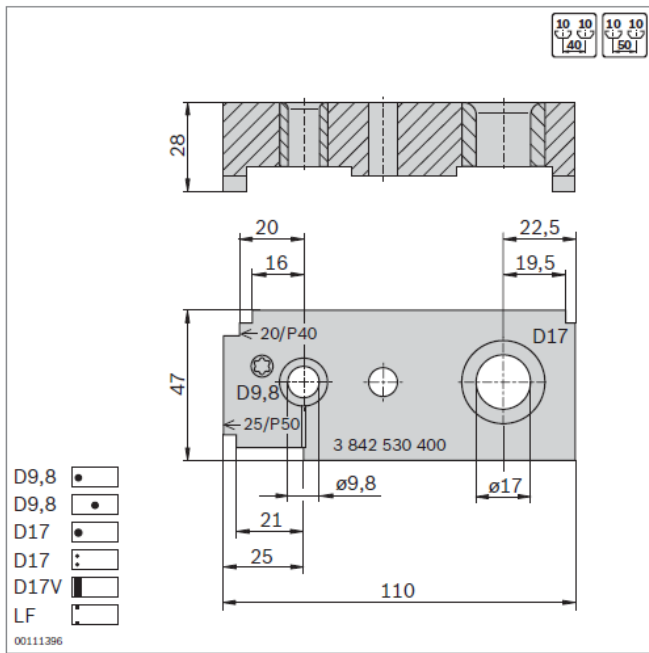
- ▶ For fastening holes (Ø 17) for bolt connectors, quick connectors, and threaded sleeves
- ▶ For through holes (Ø 9.8) for hexagonal-star socket screwdrivers T50
- ▶ For counterbores (Ø 21) for pneumatic connections

Drilling jig	No.	FS
Slot 10 mm, modular dimensions 45, 60	3 842 528 574	FS3

Material: Steel, galvanized, chromated transparent

Scope of delivery: Incl. fastening material (FS)





Drilling jigs – slot 10 mm, modular dimensions 40, 50

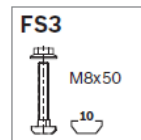
- ▶ For through holes (ø 9.8) for hexagonal-star socket screwdrivers T50
- ▶ For fastening holes (ø 17) for bolt connectors, quick connectors, and threaded sleeves

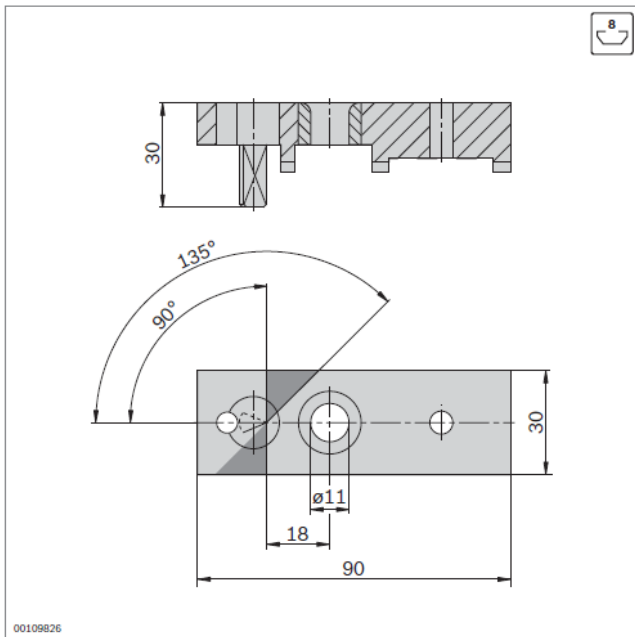
Drilling jig	No.	FS
Slot 10 mm, modular dimensions 40, 50	3 842 530 400	FS3

Material: Steel, galvanized, chromated transparent

Scope of

delivery: Incl. fastening material (FS)





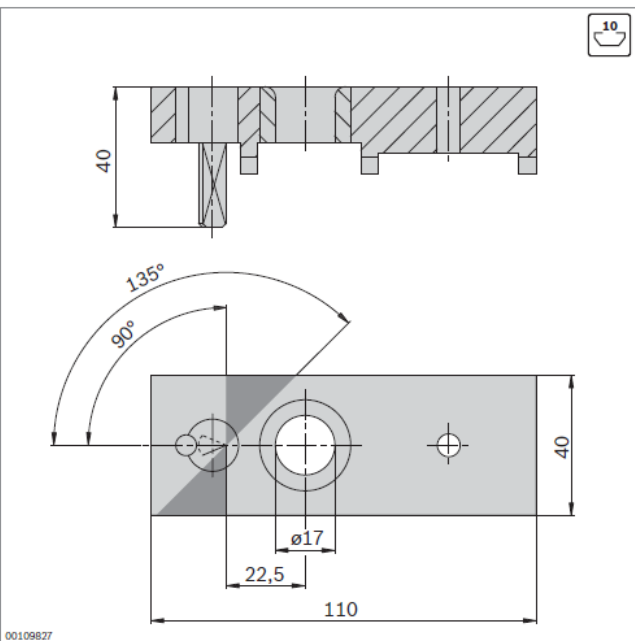
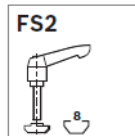
Drilling jigs for diagonally sawn profiles – slot 8 mm

- For fastening holes (ø 11) for bendable quick connectors

Drilling jig	No.	FS
Slot 8 mm – diagonally sawn profiles	3 842 516 729	FS2

Material: Steel, galvanized, chromated transparent

Scope of delivery: Incl. fastening material (FS)
Also see bendable quick connector (p. 3-51).



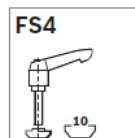
Drilling jigs for diagonally sawn profiles – slot 10 mm

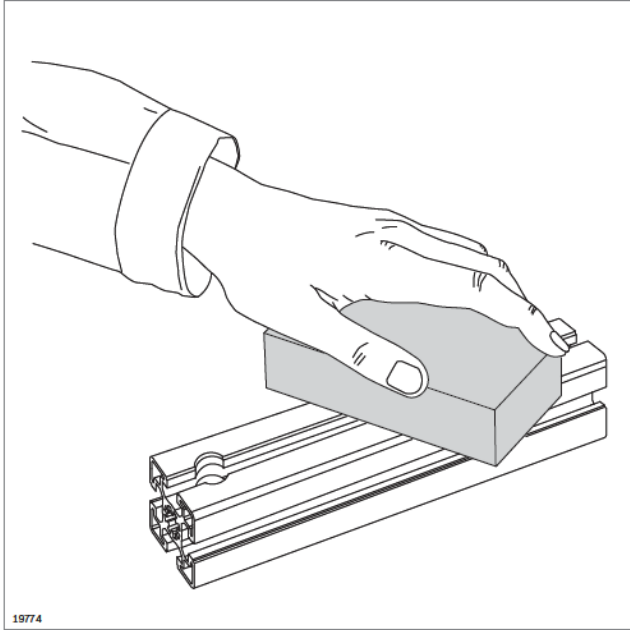
- For fastening holes (ø 17) for bendable quick connectors

Drilling jig	No.	FS
Slot 10 mm – diagonally sawn profiles	3 842 516 731	FS4

Material: Steel, galvanized, chromated transparent

Scope of delivery: Incl. fastening material (FS)
Also see bendable quick connector (p. 3-51).





19774

Flexible grinder for anodized surfaces

- ▶ Hand grinder for removing minor dirt and scratches
- ▶ Handy grindstone made of flexible base material containing abrasive agents
- ▶ Extremely durable thanks to continual surface renewal, like an eraser
- ▶ Suitable for all natural-colored, anodized surfaces, e.g. also for aluminum windows and doors

14

Flexible grinder for anodized surfaces	No.
	3 842 518 650

Material: Silicon carbide 60%
Polyurethane 40%