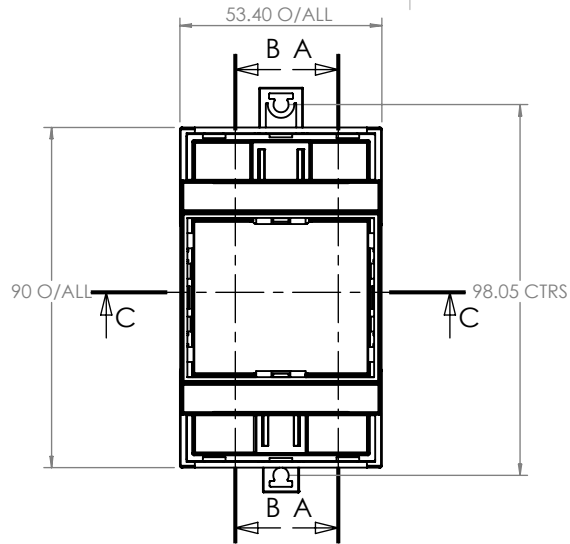
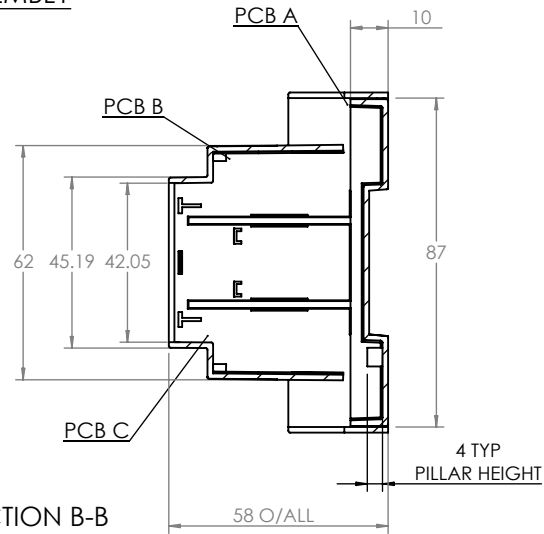
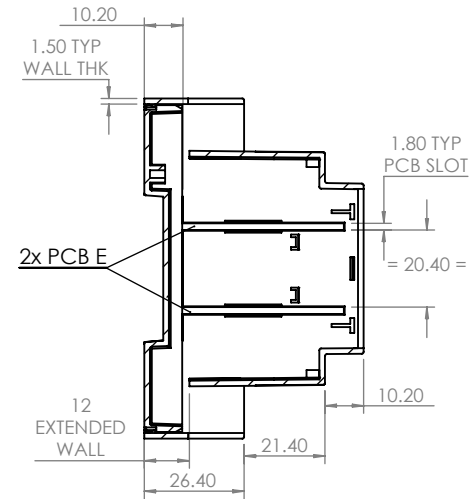


**ASSEMBLY**

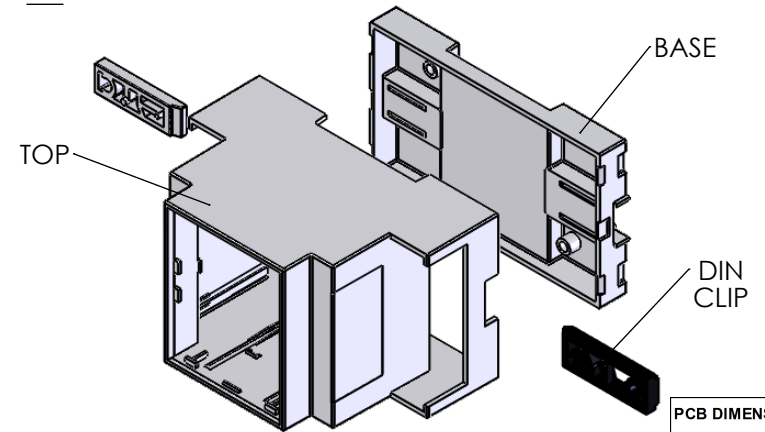


DIN CLIPS ARE SHOWN IN WALL MOUNTING POSITION

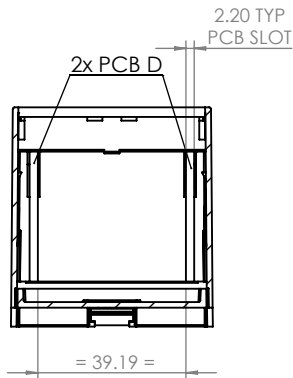


SECTION A-A

**ISO VIEW**  
1:2

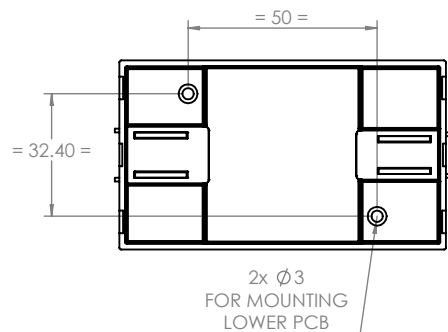


PCB DIMENSIONS (mm)	
A	86.5 x 50
B	57 x 49
C	42 x 49
D	34 x 59.6
E	40 x 50



SECTION C-C

**BASE**



**CAMDENBOSS**  
ELECTRONICS & ENCLOSURES

60 JAMES CARTER RD,  
MILDENHALL,  
SUFFOLK, IP28 7DE  
EMAIL: SALES@CAMDENBOSS.COM  
TEL: 01638 716101  
FAX: 01638 716554  
WEB: WWW.CAMDENBOSS.COM

UNLESS OTHERWISE SPECIFIED:  
DIMENSIONS ARE IN MILLIMETERS

GENERAL TOLERANCES +/- 0.2

FINISH: SMOOTH

MATERIAL: UV94-VO PC

PROJECTION:

DO NOT SCALE DRAWING

REVISION: 0

TITLE: GENERAL ASSEMBLY DRAWING  
FOR CNMB SERIES

DWG NO.

**CNMB-3W-2**

A4

SCALE: 1 : 2

SHEET 1 OF 1

	NAME	SIGNED	DATE
DRAWN	MATTHEW WALLACE	MJW	03/08/11
CHK'D	-	-	-