

AWN SERIES

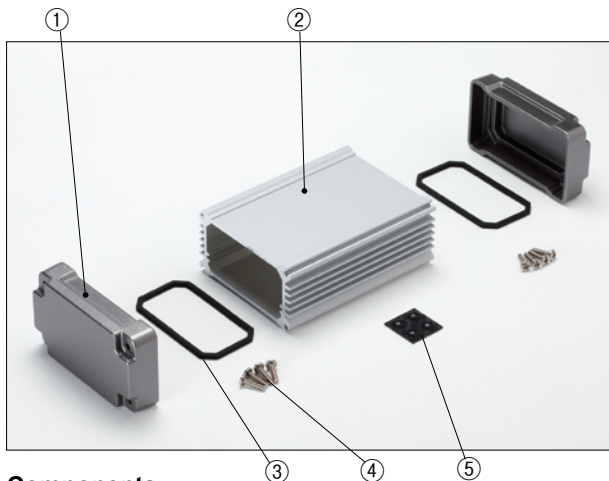
■ Technical data ■

IP67

Operating temperature -40°C~+105°C

Maximum torque 1.0N · m (10kgf · cm)

AWN IP67 HEATSINK ALUMINIUM ENCLOSURE



FEATURE

- Functional aluminum enclosure with waterproof IP67 and heat-release effect.
- Heavy-duty enclosure, the extrusion body with heat-sink and the die-casted panels.
- PCB or chassis are mountable horizontally by sliding into grooved inner body frame.
- Designed for a tough environment such as required heavy duty, high waterproofing, and countermeasures against heat, so suitable for a measuring instrument, industrial control box, industrial camera housing, and so on.

Components

| Ref. # | Part name | Pcs | Material | Color / Finish |
|--------|-------------|-----|---------------------|---------------------------------------|
| 1 | End panel | 2 | Die-cast aluminium | Metallic gray · Black / Powder coated |
| 2 | Body frame | 1 | Aluminium extrusion | Silver · Black / Anodized |
| 3 | Gasket | 2 | Silicone | Black |
| 4 | Screw | 8 | Stainless steel | Unfinished |
| 5 | Rubber Feet | 4 | Polyurethane | Black |

Accessories (Optional parts)



Color Type

| Color code | Panel | Body frame |
|------------|---------------|------------|
| S | Metallic gray | Silver |
| B | Black | Black |

Part no. / Dimensions

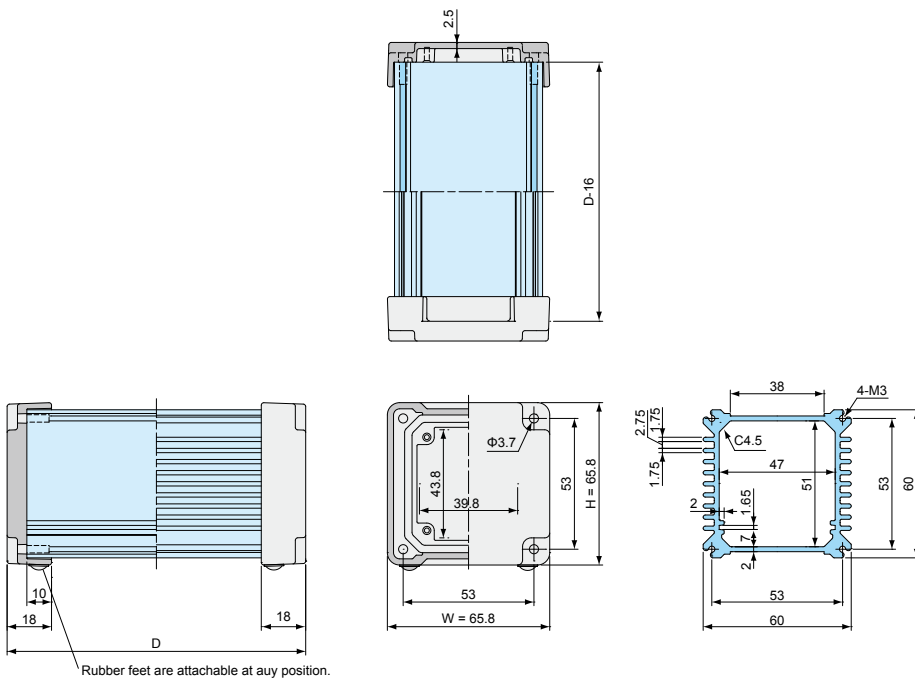
• Please suffix color code at the end of part number □ when ordering AWN series.

| Part no. | W | H | D |
|-------------|-------|------|-----|
| AWN 7-7- 8□ | 65.8 | 65.8 | 80 |
| AWN 7-7-11□ | 65.8 | 65.8 | 110 |
| AWN 7-7-15□ | 65.8 | 65.8 | 150 |
| AWN 7-7-20□ | 65.8 | 65.8 | 200 |
| AWN 7-7-25□ | 65.8 | 65.8 | 250 |
| AWN 8-5- 9□ | 80.8 | 45.8 | 90 |
| AWN 8-5-12□ | 80.8 | 45.8 | 115 |
| AWN 8-5-14□ | 80.8 | 45.8 | 140 |
| AWN 8-5-18□ | 80.8 | 45.8 | 175 |
| AWN 9-9-10□ | 86.3 | 86.3 | 100 |
| AWN 9-9-13□ | 86.3 | 86.3 | 125 |
| AWN 9-9-17□ | 86.3 | 86.3 | 170 |
| AWN 9-9-22□ | 86.3 | 86.3 | 220 |
| AWN 9-9-28□ | 86.3 | 86.3 | 275 |
| AWN11-6-11□ | 106.3 | 56.3 | 110 |
| AWN11-6-15□ | 106.3 | 56.3 | 150 |
| AWN11-6-19□ | 106.3 | 56.3 | 190 |
| AWN11-6-24□ | 106.3 | 56.3 | 240 |
| AWN16-9-14□ | 156.3 | 81.3 | 135 |
| AWN16-9-18□ | 156.3 | 81.3 | 175 |
| AWN16-9-23□ | 156.3 | 81.3 | 225 |
| AWN16-9-28□ | 156.3 | 81.3 | 275 |

AWN Dimensions

• CAD data is downloadable from our web.

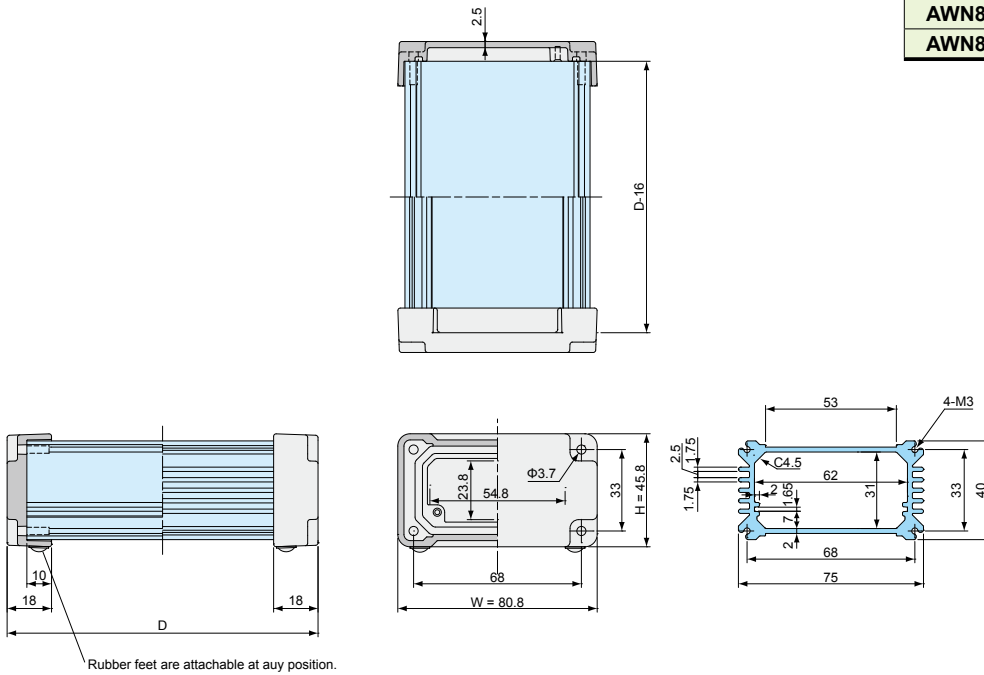
AWN7-7 drawing



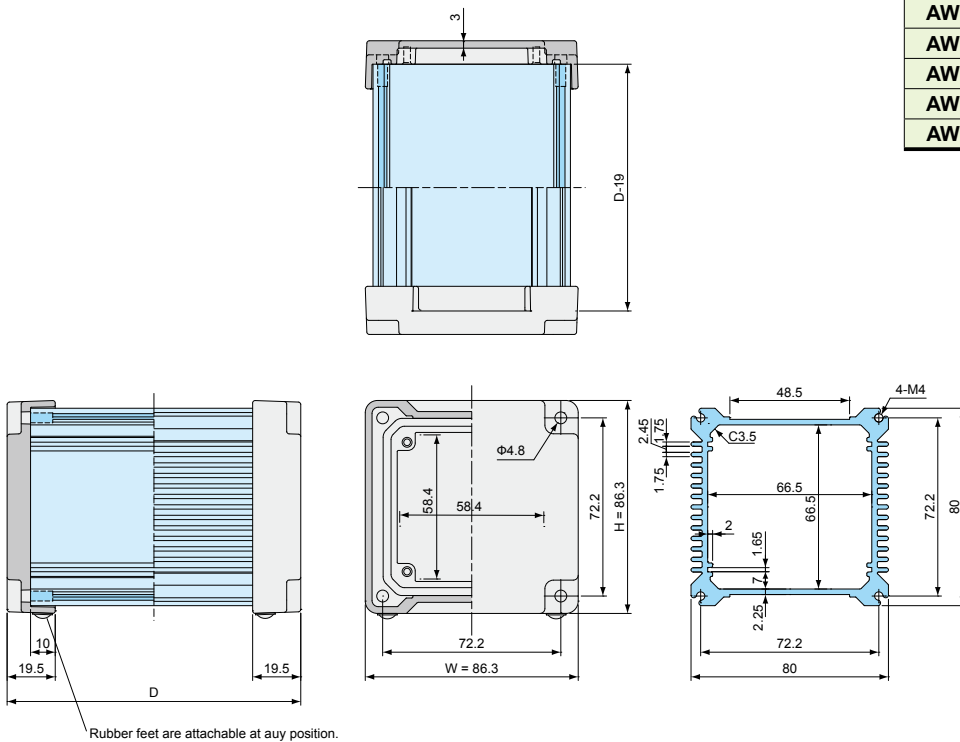
AWN Dimensions

• CAD data is downloadable from our web.

| Part no. | W | H | D |
|------------|------|------|-----|
| AWN8-5-9□ | 80.8 | 45.8 | 90 |
| AWN8-5-12□ | 80.8 | 45.8 | 115 |
| AWN8-5-14□ | 80.8 | 45.8 | 140 |
| AWN8-5-18□ | 80.8 | 45.8 | 175 |



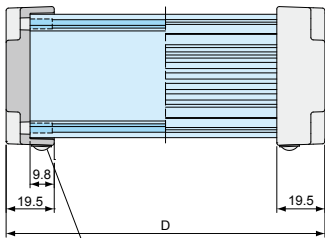
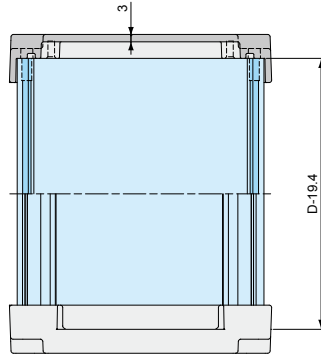
| Part no. | W | H | D |
|------------|------|------|-----|
| AWN9-9-10□ | 86.3 | 86.3 | 100 |
| AWN9-9-13□ | 86.3 | 86.3 | 125 |
| AWN9-9-17□ | 86.3 | 86.3 | 170 |
| AWN9-9-22□ | 86.3 | 86.3 | 220 |
| AWN9-9-28□ | 86.3 | 86.3 | 275 |



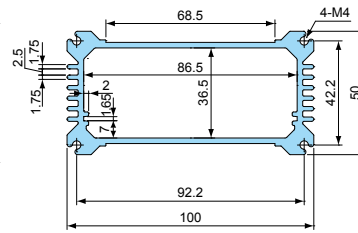
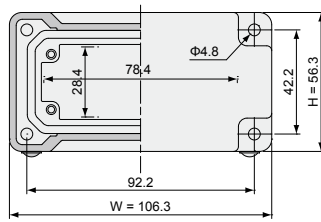
AWN Dimensions

• CAD data is downloadable from our web.

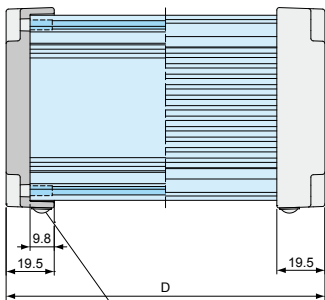
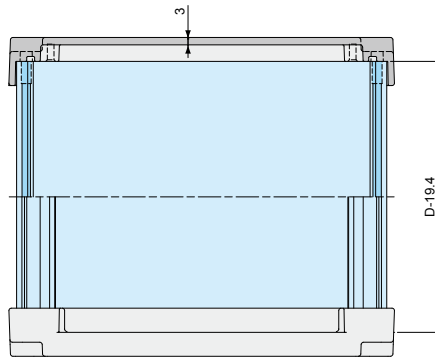
| Part no. | W | H | D |
|-------------|-------|------|-----|
| AWN11-6-11□ | 106.3 | 56.3 | 110 |
| AWN11-6-15□ | 106.3 | 56.3 | 150 |
| AWN11-6-19□ | 106.3 | 56.3 | 190 |
| AWN11-6-24□ | 106.3 | 56.3 | 240 |



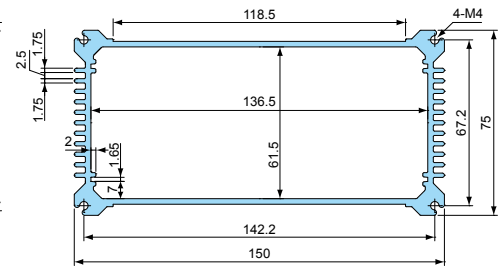
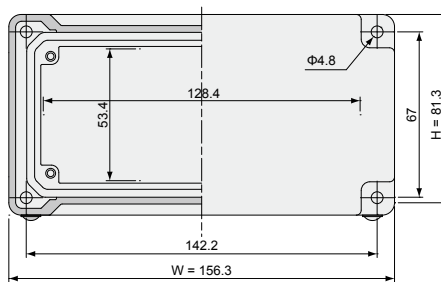
Rubber feet are attachable at any position.



| Part no. | W | H | D |
|-------------|-------|------|-----|
| AWN16-9-14□ | 156.3 | 81.3 | 135 |
| AWN16-9-18□ | 156.3 | 81.3 | 175 |
| AWN16-9-23□ | 156.3 | 81.3 | 225 |
| AWN16-9-28□ | 156.3 | 81.3 | 275 |

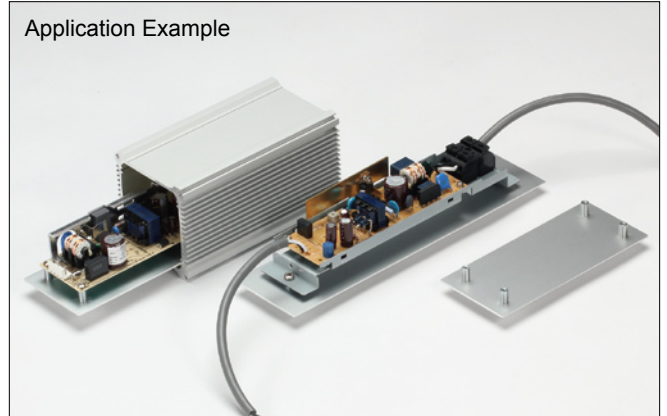
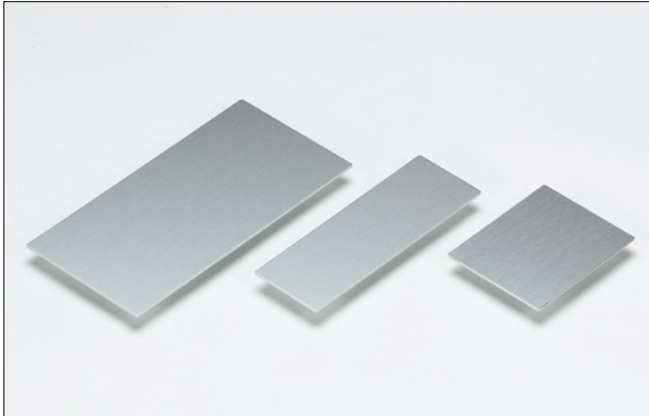


Rubber feet are attachable at any position.

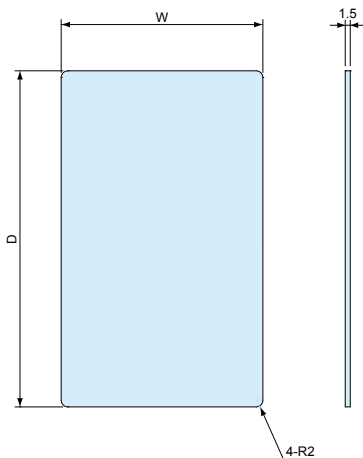


AWC·HCS SERIES

AWC ALUMINIUM MOUNTING PLATE



- Mounting plate for AW · AWN series enclosure.
The plate installed power units, modules, devices, terminal boxes, etc horizontally slides into AW · AWN enclosure.



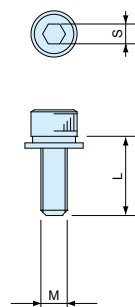
Material : Aluminium t = 1.5mm
Silver anodized

- CAD data is downloadable from our web.

Part no. / Dimensions

| Part no. | W | D | Suitable enclosure |
|----------|-------|-------|--------------------|
| AWC 7- 8 | 47 | 64 | AW · AWN 7-7- 8□ |
| AWC 7-11 | 47 | 94 | AW · AWN 7-7-11□ |
| AWC 7-15 | 47 | 134 | AW · AWN 7-7-15□ |
| AWC 7-20 | 47 | 184 | AW · AWN 7-7-20□ |
| AWC 7-25 | 47 | 234 | AW · AWN 7-7-25□ |
| AWC 8- 9 | 61.8 | 74 | AW · AWN 8-5- 9□ |
| AWC 8-12 | 61.8 | 99 | AW · AWN 8-5-12□ |
| AWC 8-14 | 61.8 | 124 | AW · AWN 8-5-14□ |
| AWC 8-18 | 61.8 | 159 | AW · AWN 8-5-18□ |
| AWC 9-10 | 66.5 | 81 | AW · AWN 9-9-10□ |
| AWC 9-13 | 66.5 | 106 | AW · AWN 9-9-13□ |
| AWC 9-17 | 66.5 | 151 | AW · AWN 9-9-17□ |
| AWC 9-22 | 66.5 | 201 | AW · AWN 9-9-22□ |
| AWC 9-28 | 66.5 | 256 | AW · AWN 9-9-28□ |
| AWC11-11 | 86.5 | 90.6 | AW · AWN11-6-11□ |
| AWC11-15 | 86.5 | 130.6 | AW · AWN11-6-15□ |
| AWC11-19 | 86.5 | 170.6 | AW · AWN11-6-19□ |
| AWC11-24 | 86.5 | 220.6 | AW · AWN11-6-24□ |
| AWC16-14 | 136.5 | 115.6 | AW · AWN16-9-14□ |
| AWC16-18 | 136.5 | 155.6 | AW · AWN16-9-18□ |
| AWC16-23 | 136.5 | 205.6 | AW · AWN16-9-23□ |
| AWC16-28 | 136.5 | 255.6 | AW · AWN16-9-28□ |

HCS HEXAGON SOCKET HEAD SCREW



- Hexagon socket head screws for fastening flanged side-plates of AW · AWN enclosure.
Use for making tamper-resistant box and tough looks.

Part no. / Dimensions

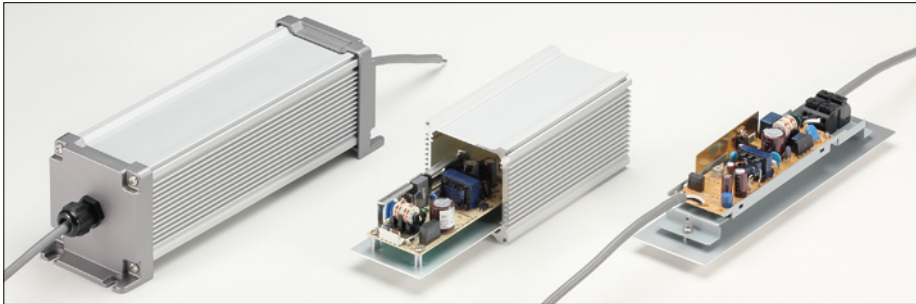
1 pack = 8pcs

| Part no. | M | L | S | Material | Finish | Pcs |
|----------|---|----|-----|-----------------|------------|-----|
| HCS3-12S | 3 | 12 | 2.5 | Stainless steel | Unfinished | 8 |
| HCS4-12S | 4 | 12 | 3 | Stainless steel | Unfinished | 8 |

AW·AWN SERIES

APPLICATION EXAMPLE

LED power supply for outdoor



Enclosed switch



Controller



Industrial camera housing



Customizable a dimension by 1mm at your requested size.

- Depth(D) dimension is flexibly customizable by 1mm between 50 to 700mm.
- Possible to take care of your request from 1unit in a short period of time.



Customize available



Contact us with your drawing

E-mail : overseas@takachi-el.co.jp