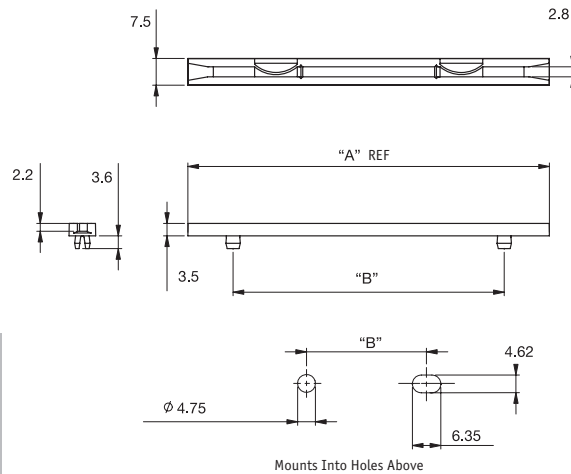
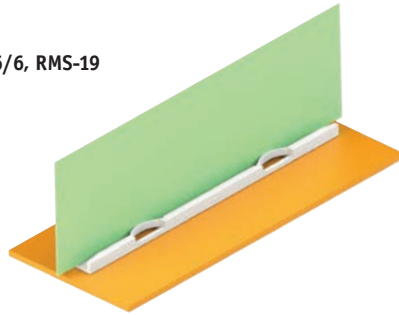


Multi Panel Card Guide

MPCG

Natural UL94 V0 Nylon 6/6, RMS-19

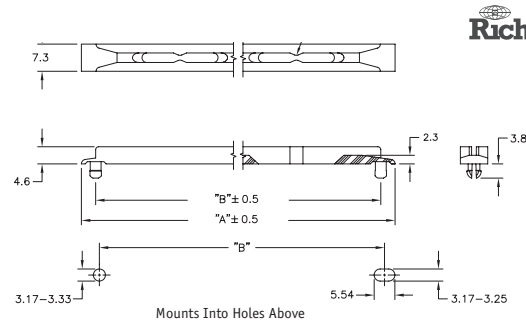


Part Number	Dimensions (mm)				Std Pack Qty
	"A"	"B"	Accepts PCB Thickness	Mounting Hole Panel Thickness	
MPCG-250	63.5	38.1	0.8-2	0.5-2	500
MPCG-300	76.2	50.8	0.8-2	0.5-2	500
MPCG-400	101.6	76.2	0.8-2	0.5-2	500
MPCG-550	139.7	114.4	0.8-2	0.5-2	500

Tension Card Guide

TCG

Black UL94 V0 Polycarbonate, RMS-23

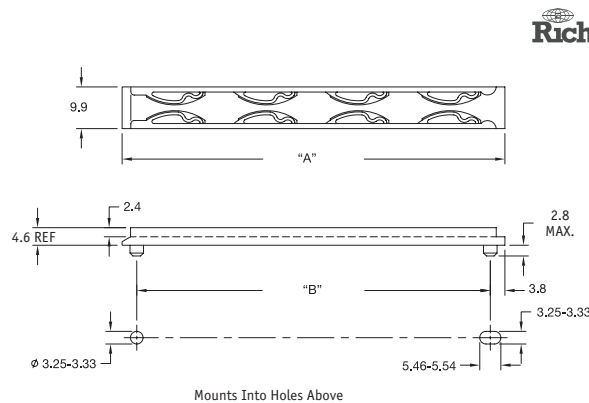
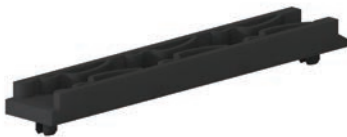


Part Number	Dimensions (mm)				Number of Grips	Std Pack Qty
	"A"	"B"	Accepts PCB Thickness	Mounting Hole Panel Thickness		
TCG1-2.500-23	63.5	55.9	1.6	1.6	1	500
TCG1-3.300-23	83.8	76.2	1.6	1.6	2	500
TCG1-3.925-23	99.7	92.1	1.6	1.6	2	500
TCG1-6.675-23	169.5	161.9	1.6	1.6	4	500

Tension Rack Card Guide

TRCG

Black UL94 V0 Polycarbonate, RMS-23



Part Number	Dimensions (mm)				Std Pack Qty
	"A"	"B"	Accepts PCB Thickness	Mounting Hole Panel Thickness	
TRCG-2.500	63.5	55.9	1.3 - 2.2	1.5 - 1.8	500
TRCG-3.300	83.8	76.2	1.3 - 2.2	1.5 - 1.8	500
TRCG-3.925	99.7	92.1	1.3 - 2.2	1.5 - 1.8	500
TRCG-6.675	169.6	161.9	1.3 - 2.2	1.5 - 1.8	500