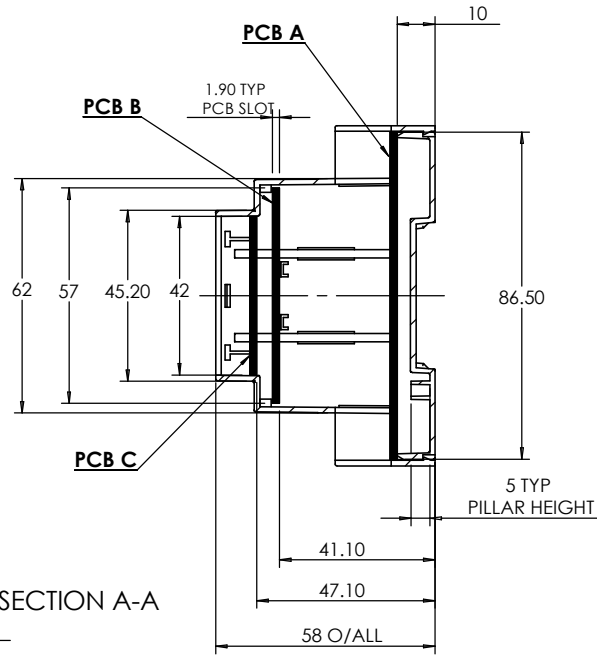
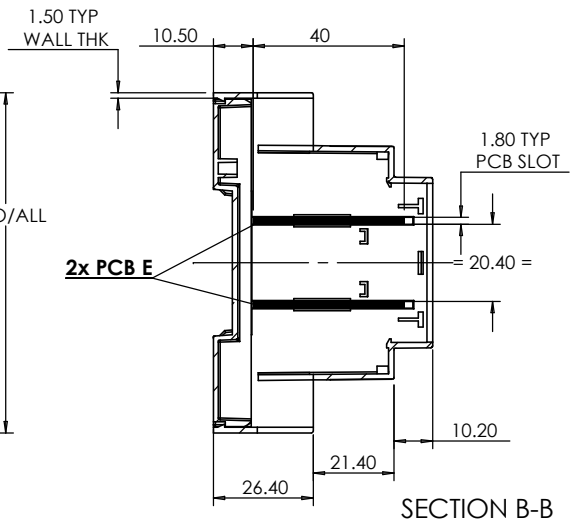
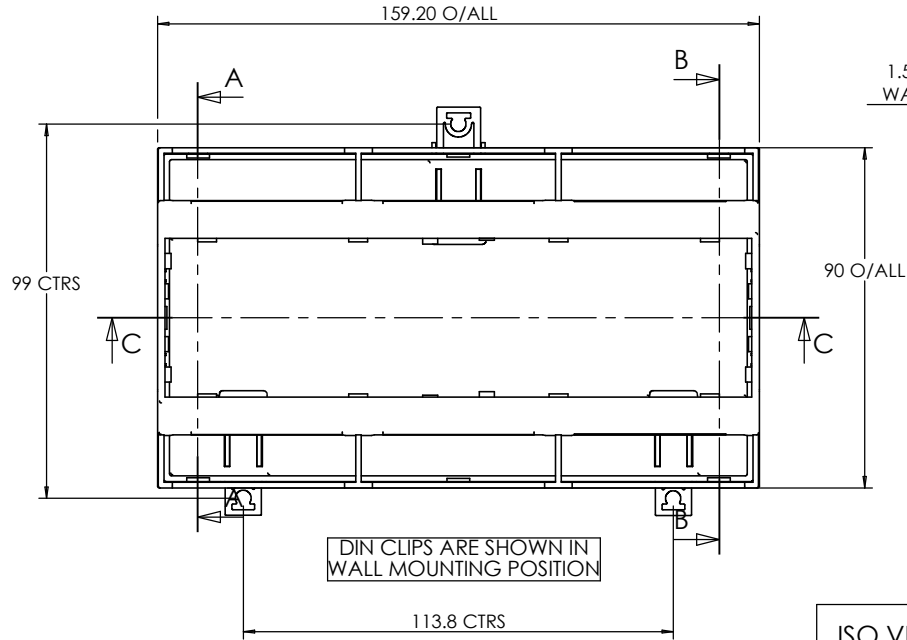


**ASSEMBLY**

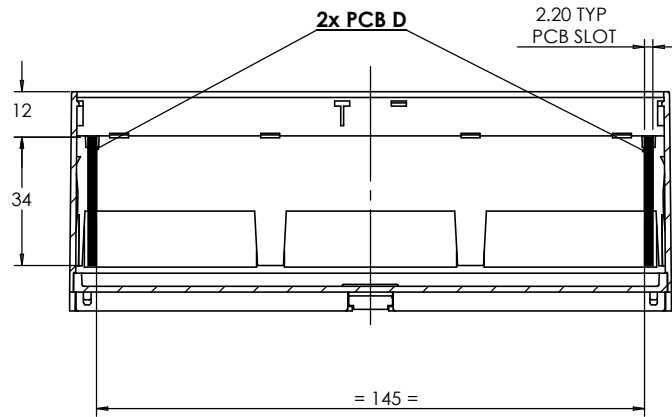
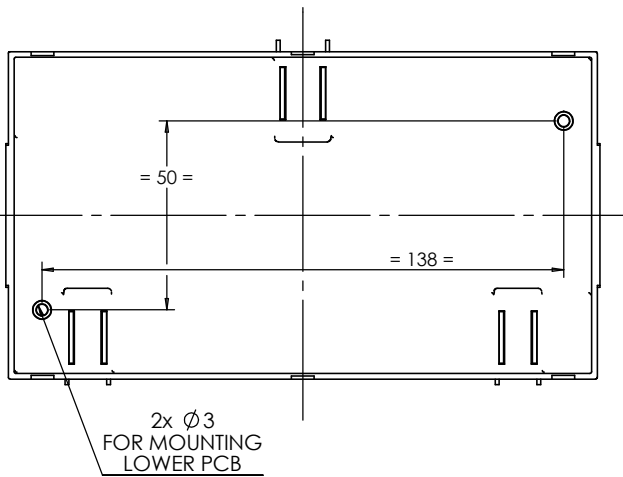


SECTION A-A



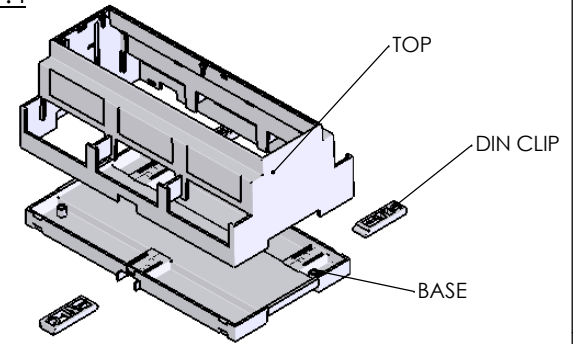
SECTION B-B

**BASE**



SECTION C-C

**ISO VIEW**  
1:4



PCB DIMENSIONS (mm)	
A	86.5 x 155
B	57 x 155.4
C	42 x 154
D	34 x 59.6
E	40 x 155

 JAMES CARTER RD, MILDENHALL, SUFFOLK. IP28 7DE TEL: 01638 716101 FAX: 01638 716554 EMAIL: Sales@CamdenBoss.com WEB: www.CamdenBoss.com		UNLESS OTHERWISE SPECIFIED: DIMENSIONS ARE IN MILLIMETERS		DO NOT SCALE DRAWING		REVISION: 0	
		FINISH: <b>SMOOTH</b>		TITLE: <b>GNL ASSY DRG FOR CNMB SERIES</b>			
DRAWN L. SUBKHANKULOVA LS 24/03/10		MATERIAL: <b>UV94-V0 PC</b>		DWG NO. <b>CNMB-9-2</b>		A4	
CHK'D STUART HARDINGE SJH 24/03/10		PROJECTION:		SCALE: 1:2		SHEET 1 OF 1	