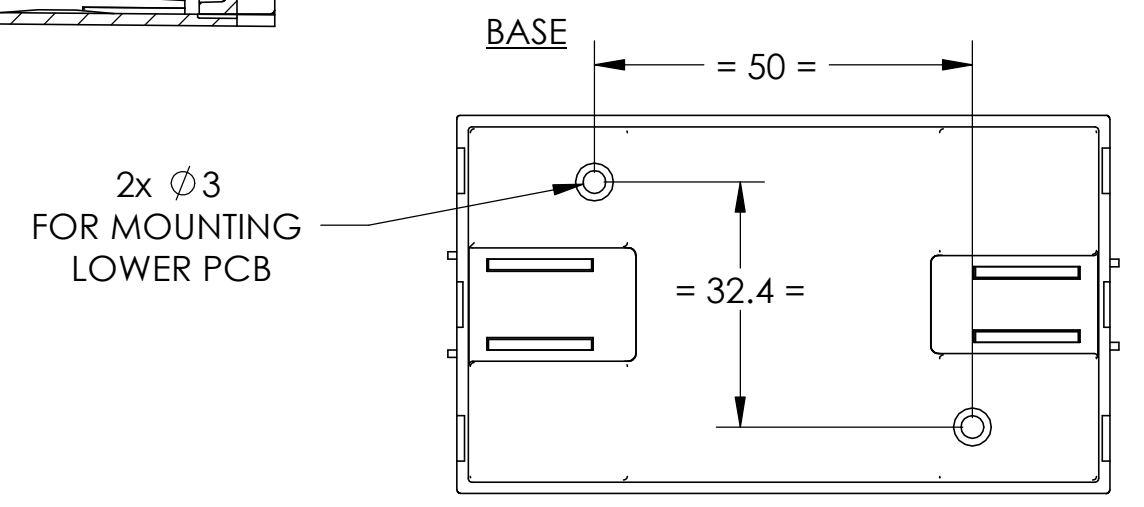
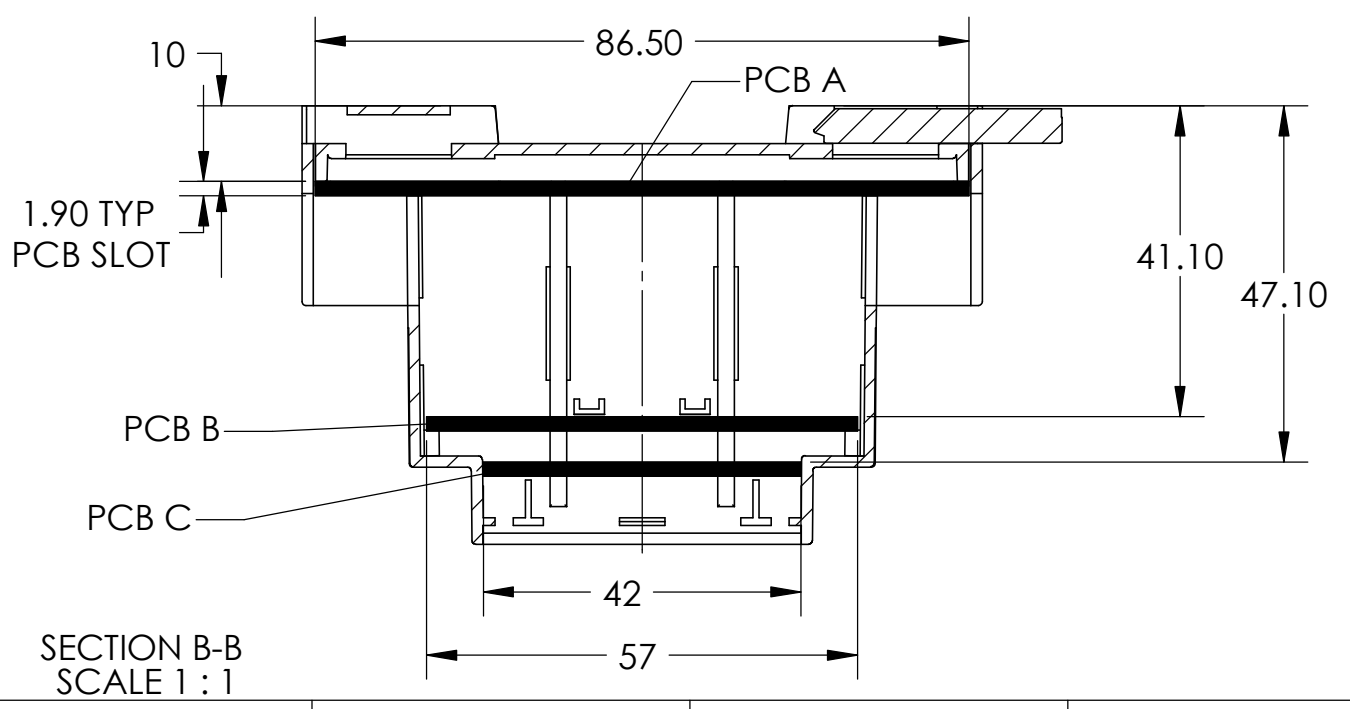
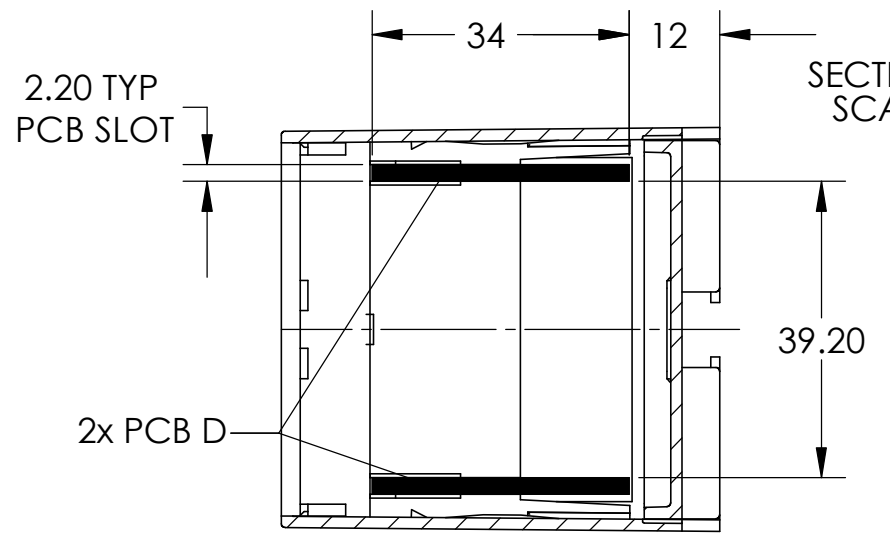
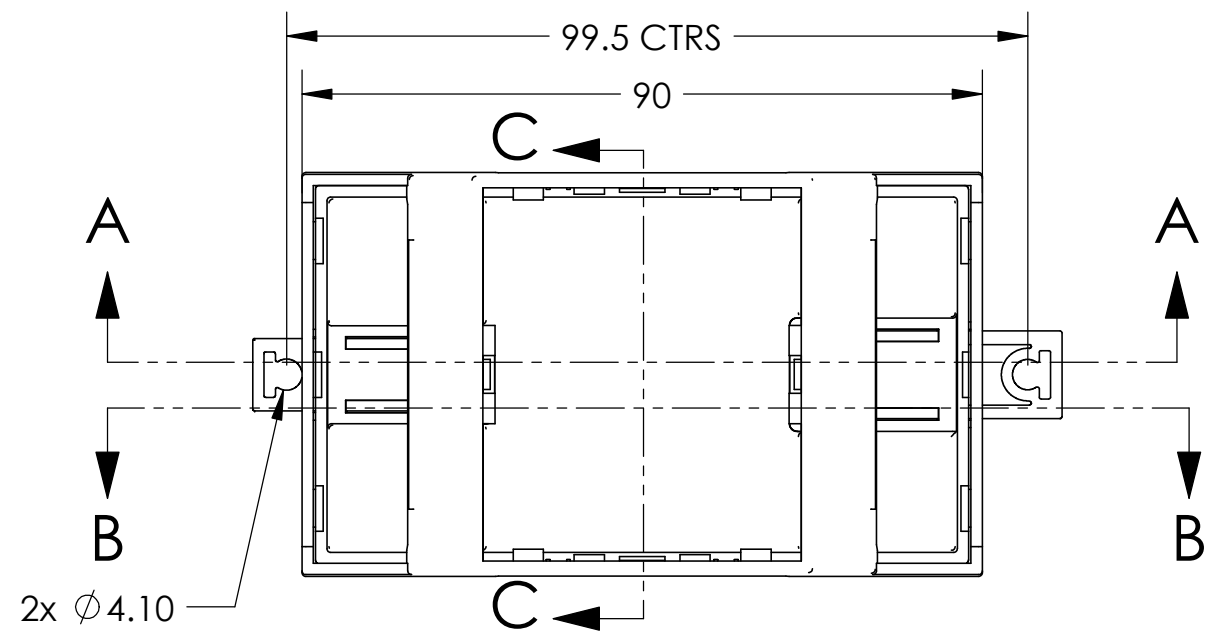


| PCB DIMENSIONS (mm) | |
|---------------------|-----------|
| A | 86.5 x 50 |
| B | 57 x 49 |
| C | 42 x 49 |
| D | 34 x 59.6 |
| E | 40 x 50 |



| | | | | | | | | | | |
|--|--|----------------|--|--|--|-------------------------------------|--|------------------|--|--------------|
| <p>JAMES CARTER RD, MILDENHALL, SUFFOLK, IP28 7DE TEL: 01638 716101 FAX: 01638 716554 EMAIL: Sales@CamdenBoss.com WEB: www.CamdenBoss.com</p> | | | | UNLESS OTHERWISE SPECIFIED: DIMENSIONS ARE IN MILLIMETERS | | DO NOT SCALE DRAWING | | REVISION: 0 | | |
| | | | | FINISH: SMOOTH | | TITLE: GNL ASSY DRG FOR CNMB SERIES | | | | |
| DRAWN: M.WALLACE | | SIGNATURE: MJW | | DATE: 07/10/10 | | MATERIAL: UL94-VO PC | | DWG NO. CNMB-3-2 | | A3 |
| CHK'D: L.SUBKHANKULOVA | | SIGNATURE: LS | | DATE: 07/10/10 | | PROJECTION: | | SCALE: 1:1 | | SHEET 1 OF 1 |