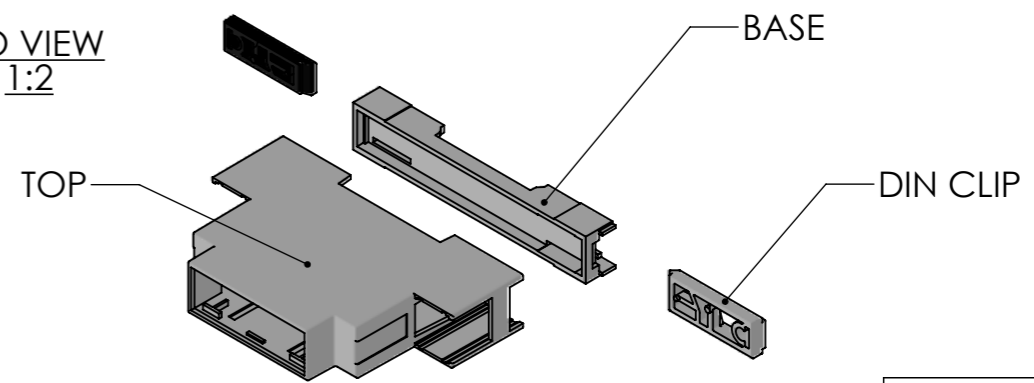
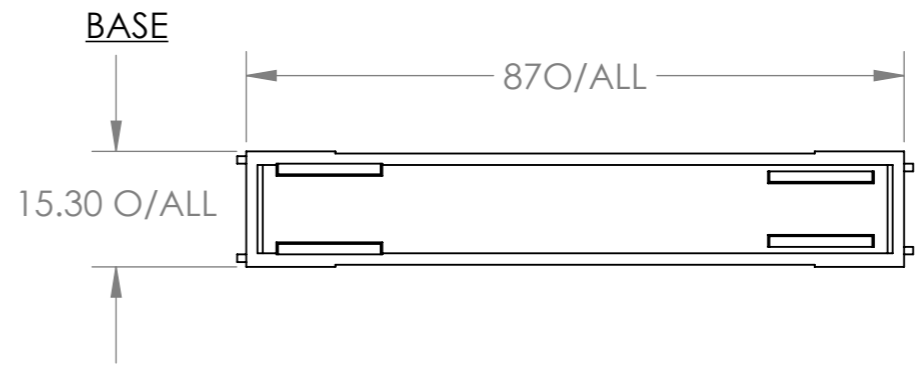
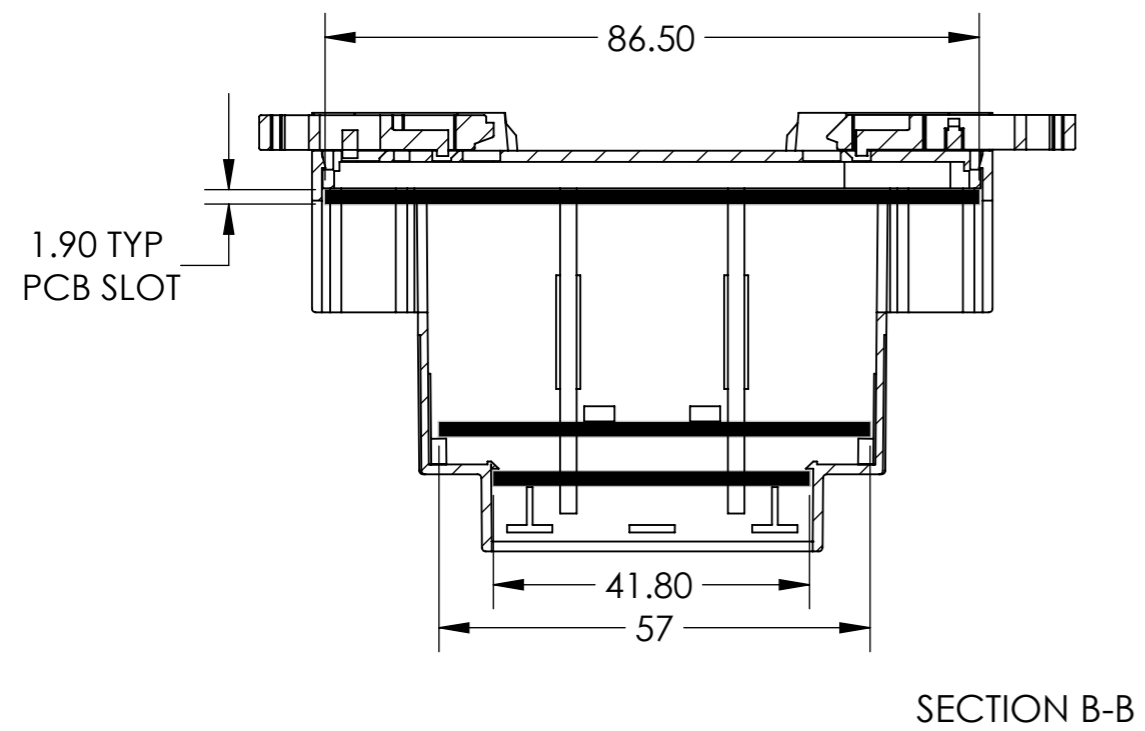
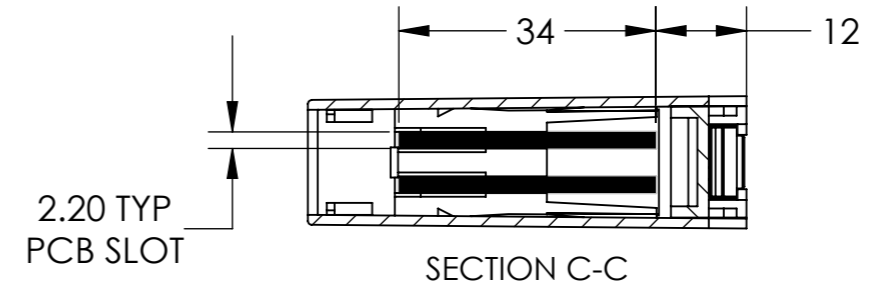
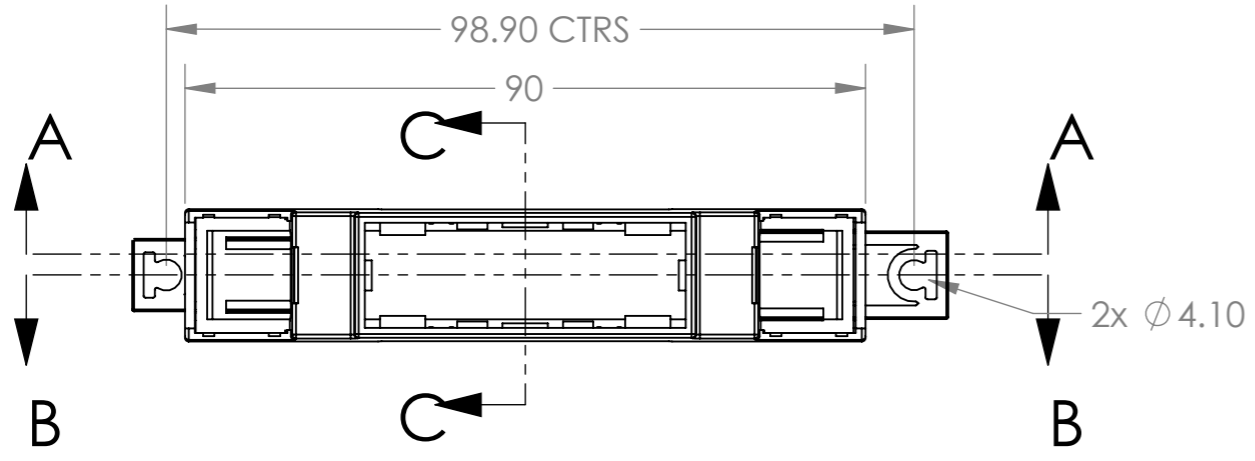


ISO VIEW
1:2



PCB DIMENSIONS (mm)	
A	86.5 x 14
B	57 x 14
C	41.8 x 14
D	34 x 59.6
E	40 x 14.8



 JAMES CARTER RD, MILDENHALL, SUFFOLK. IP28 7DE TEL: 01638 716101 FAX: 01638 716554 EMAIL: Sales@CamdenBoss.com WEB: www.CamdenBoss.com			UNLESS OTHERWISE SPECIFIED: DIMENSIONS ARE IN MILLIMETERS	DO NOT SCALE DRAWING	REVISION: 0
			FINISH: SMOOTH	TITLE: GNL ASSY DRG FOR CNMB SERIES	
DRAWN: M.WALLACE	SIGNATURE: MJW	DATE: 07/10/10	MATERIAL: UV94-VO PC	DWG NO.:	CNMB-1-2
CHK'D: L.SUBKHANKULOVA	LS	07/10/10	PROJECTION: 	SCALE:1:1	A3 SHEET 1 OF 1