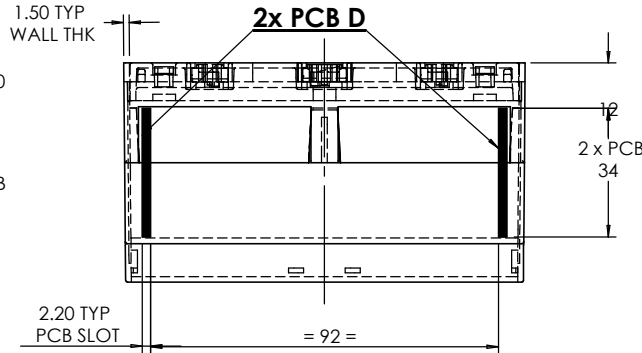
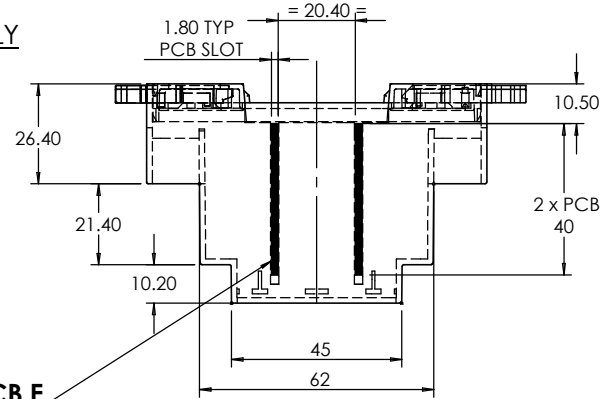
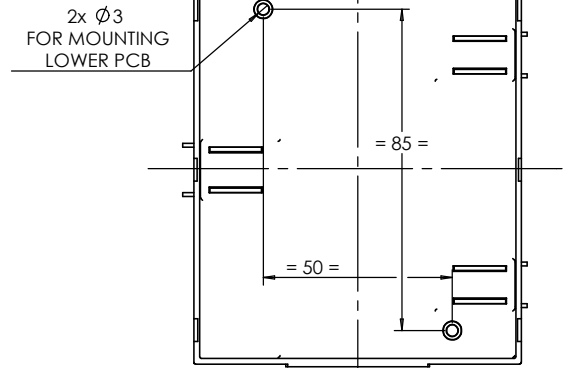


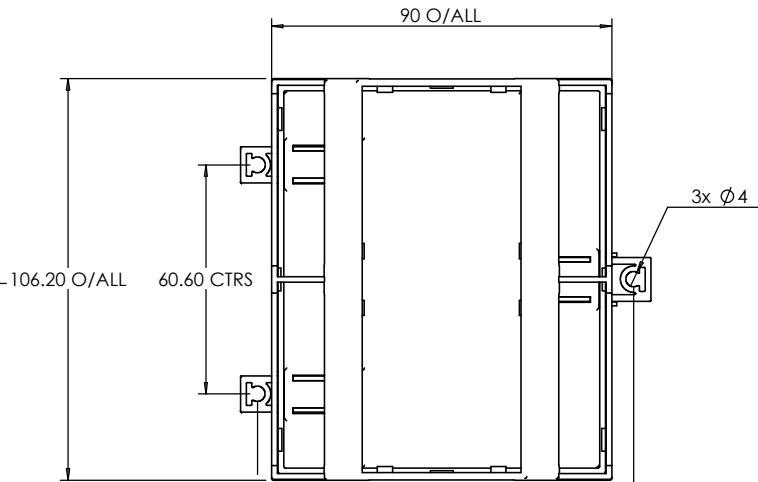
**ASSEMBLY**



**BASE**



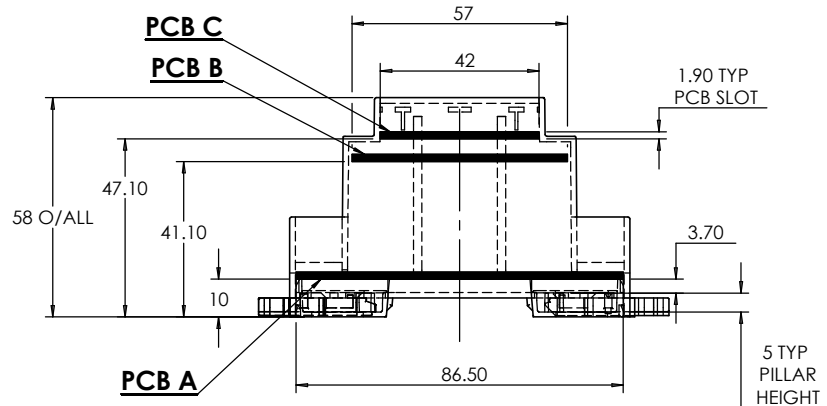
**2x PCB E**



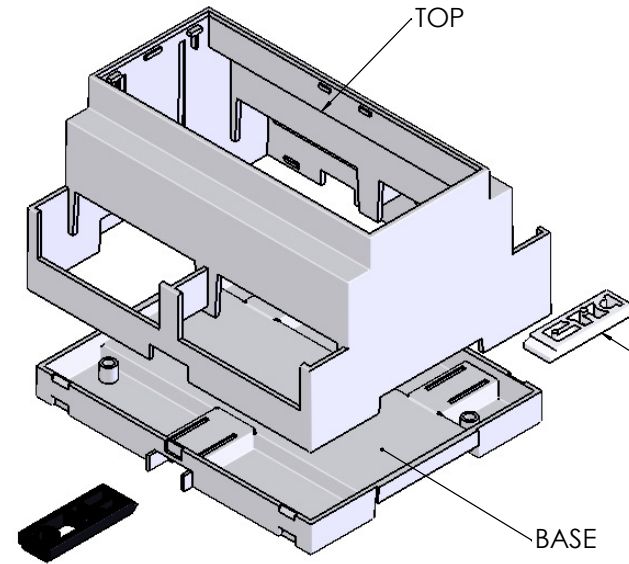
DIN CLIPS ARE SHOWN IN WALL MOUNTING POSITION

**PCB C**

**PCB B**



**ISO VIEW**  
1:2



PCB DIMENSIONS (mm)		
A	86.5	x 103
B	57	x 102
C	42	x 102
D	34	x 59.6
E	40	x 103

<p>JAMES CARTER RD, MILDENHALL, SUFFOLK. IP28 7DE TEL: 01638 716101 FAX: 01638 716554 EMAIL: Sales@CamdenBoss.com WEB: www.CamdenBoss.com</p>		UNLESS OTHERWISE SPECIFIED: DIMENSIONS ARE IN MILLIMETERS		DO NOT SCALE DRAWING		REVISION. 0	
		FINISH. <b>SMOOTH</b>		TITLE: <b>GNL ASSY DRG FOR CNMB SERIES</b>			
DRAWN SUBKHANKULOVA LS		SIGNED LS		DATE 13/01/10		MATERIAL. <b>UL94-V0 PC</b>	
CHKD STUART HARDING SJH		SIGNED SJH		DATE 13/01/10		DWG NO. <b>CNMB-6-2</b>	
PROJECTION.				SCALE. 1:2		SHEET 1 OF 1	

A4