

# Vertical Mount Card Guides

## VMCG

**Card Guide:** Grey GF Nylon 6, RMS-38

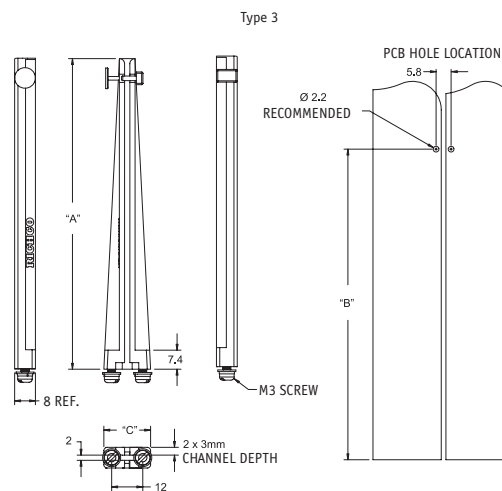
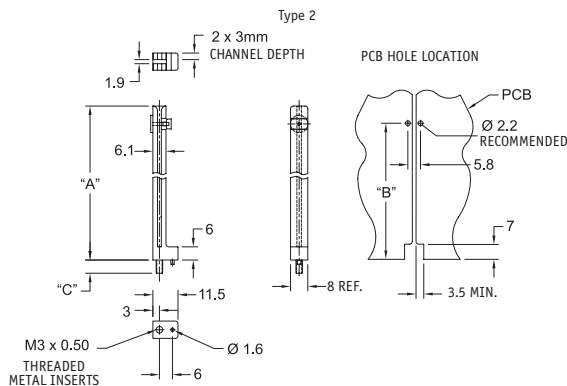
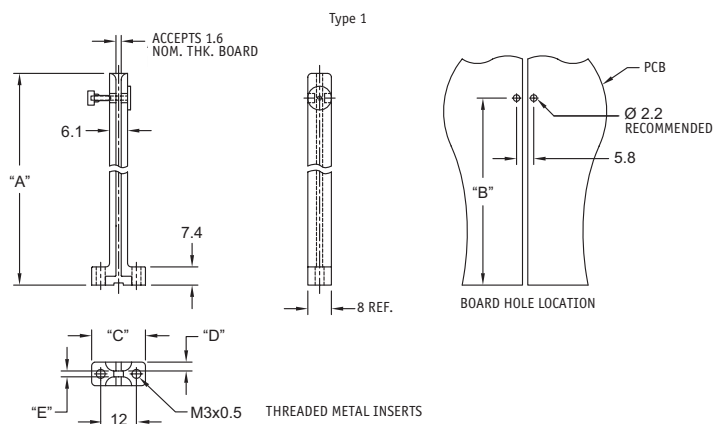
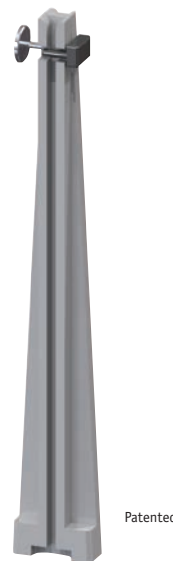
**Locking Mechanism:** Black HDPE, RMS-284,

**Metal Pin:** Stainless Steel, RMS-228

**Screw:** Mild Steel, Zinc Plated, RMS-415

**Threaded Insert:** Brass, RMS-231

- Includes mounting hardware: screw, washer and lockwasher



Part Number	Type	Dimensions (mm)					Accepts PCB Thickness	Mounting Hole Panel Thickness	Std Pack Qty
		"A"	"B"	"C"	"D"	"E"			
VMCG-50-MPBK-K	1	46.5	42.3	-	2.6	2.7	1.6	Up to 3.18mm supplied with M3 x 8mm Screw	100
VMCG-65-MPBK-K	1	65	56.5	-	3	2	1.6	Up to 3.18mm supplied with M3 x 8mm Screw	100
VMCG-90-MPBK-K	1	90	81.5	-	3	2	1.6	Up to 3.18mm supplied with M3 x 8mm Screw	100
VMCG-135-MPBK-K	1	135	126.5	-	3	2	1.6	Up to 3.18mm supplied with M3 x 8mm Screw	100
VMCG-160-MPBK-K	1	160	112.5	-	3	2	1.6	Up to 3.18mm supplied with M3 x 8mm Screw	100
VMCG-330-MPBK-K	1	120	112.5	-	3	2	1.6	Up to 3.18mm supplied with M3 x 8mm Screw	100
VMCG-100-MPBK-K	2	100	92	8.9	-	-	1.6	Up to 3.18mm supplied with M3 x 8mm Screw	100
VMCG-70-MPBK-K	2	70.1	62.5	5.6	-	-	1.6	Up to 3.18mm supplied with M3 x 8mm Screw	100
VMCG-320-MPBK-K	3	120	112.5	18	-	-	1.6	Up to 3.18mm supplied with M3 x 8mm Screw	100
VMCG-360-MPBK-K	3	160	112.5	19	-	-	1.6	Up to 3.18mm supplied with M3 x 8mm Screw	100