

## Electronic housing - UEGM 40/2 - 2792028

Please be informed that the data shown in this PDF Document is generated from our Online Catalog. Please find the complete data in the user's documentation. Our General Terms of Use for Downloads are valid (<http://phoenixcontact.com/download>)




Electronic housing, fully equipped with 6 screw connections per side for two PCBs

### Why buy this product

- Cost-effective series production, since the base element and the assembled PCB are soldered by machine
- Efficient assembly thanks to overlapping housing parts
- Can be snapped onto standard NS 35/7,5 and NS 35/15 DIN rails
- Complex electronic circuits can be integrated, with up to 24 connections on two levels
- 



### Key commercial data

Packing unit	10 pc
GTIN	 4 017918 072537
Weight per Piece (excluding packing)	81.56 g
Custom tariff number	85369010
Country of origin	Germany

### Technical data

#### General

Housing type	Complete housing
Housing material	Polyamide (PA 6.6)
Color	green

#### Ambient conditions

Ambient temperature (operation)	-40 °C ... 105 °C
---------------------------------	-------------------

#### Dimensions

Length	79 mm
Constructional height	85.5 mm
Width	40 mm
Pitch	5 mm

# Electronic housing - UEGM 40/2 - 2792028

## Technical data

### Technical data

Connection in acc. with standard	CUL
Nominal voltage $U_N$	300 V
Nominal current $I_N$	10 A
AWG/kcmil	30-12
Indicator1	CUL1
Inflammability class according to UL 94	V0
Power dissipation at 20°C in the horizontal mounting position	5.2 W 11.2 W
Number of positions	12

### Connection data

Conductor cross section solid min.	0.2 mm <sup>2</sup>
Conductor cross section solid max.	4 mm <sup>2</sup>
Conductor cross section flexible min.	0.2 mm <sup>2</sup>
Conductor cross section flexible max.	2.5 mm <sup>2</sup>
Conductor cross section AWG min.	24
Conductor cross section AWG max.	12
Stripping length	8 mm

## Classifications

### eCl@ss

eCl@ss 4.0	27180401
eCl@ss 4.1	27180401
eCl@ss 5.0	27180506
eCl@ss 5.1	27180506
eCl@ss 6.0	27180802
eCl@ss 7.0	27182702
eCl@ss 8.0	27182702

### ETIM

ETIM 2.0	EC001031
ETIM 3.0	EC001031
ETIM 4.0	EC001031
ETIM 5.0	EC001031

### UNSPSC

UNSPSC 6.01	31261501
UNSPSC 7.0901	31261501
UNSPSC 11	31261501
UNSPSC 12.01	31261501
UNSPSC 13.2	31261501

# Electronic housing - UEGM 40/2 - 2792028

## Approvals

Approvals

---

Approvals

UL Recognized / cUL Recognized / EAC / cULus Recognized

---

Ex Approvals

---

Approvals submitted

---

## Approval details

UL Recognized	
mm <sup>2</sup> /AWG/kcmil	30-12
Nominal current I <sub>N</sub>	10 A
Nominal voltage U <sub>N</sub>	300 V

cUL Recognized	
mm <sup>2</sup> /AWG/kcmil	30-12
Nominal current I <sub>N</sub>	10 A
Nominal voltage U <sub>N</sub>	300 V

EAC
-----

cULus Recognized
------------------

## Accessories

Accessories

Bridge

# Electronic housing - UEGM 40/2 - 2792028

## Accessories

Wire bridge - DB 50- 90 GY - 2820929

Wire bridge, Color: gray

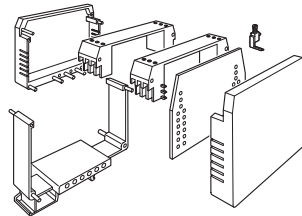


## Drawings

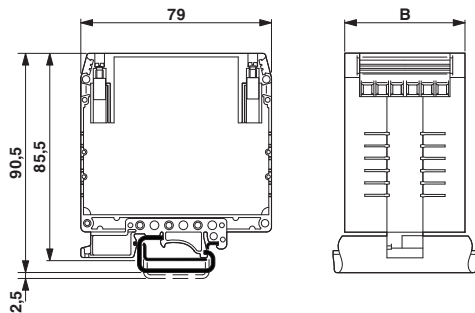
Dimensional drawing

Soldering side of PCB layout 1 = Overall component area

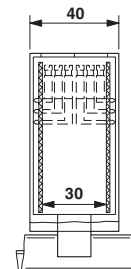
Explosion drawing



Dimensional drawing

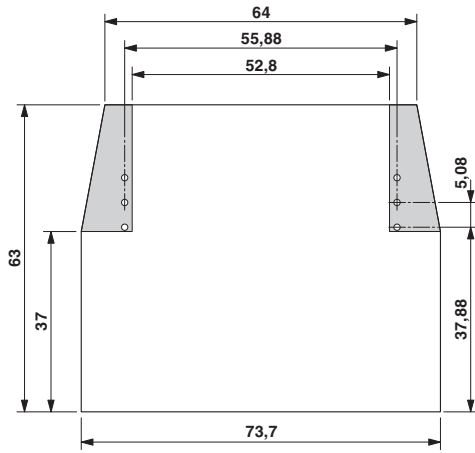


Dimensional drawing



# Electronic housing - UEGM 40/2 - 2792028

Dimensional drawing



Schematic diagram

