

---

## C O N T E N T S

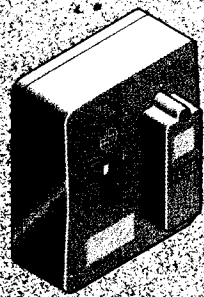
---

<b>THE RANGE</b>	<b>PAGES 6 - 8</b>
SWITCH FUSE - INSULATED	PAGE 6
CONSUMER UNIT - D.P. MAIN SWITCH ISOLATOR - INSULATED	PAGE 6
SWITCH FUSE - METAL	PAGE 6
CONSUMER UNIT - D.P. MAIN SWITCH ISOLATOR - METAL	PAGE 6
REWIRABLE FUSE ASSEMBLIES	PAGE 7
CARTRIDGE FUSE ASSEMBLIES	PAGE 7
PLUG-IN MCB ASSEMBLIES	PAGE 7
SPARE CARTRIDGE FUSE LINKS	PAGE 8
ACCESSORIES	PAGE 8
RCD RETROFIT KIT	PAGE 9
<b>TECHNICAL DATA</b>	<b>PAGES 10 - 11</b>

---

# STANDARD RANGE

## T H E R A N G E

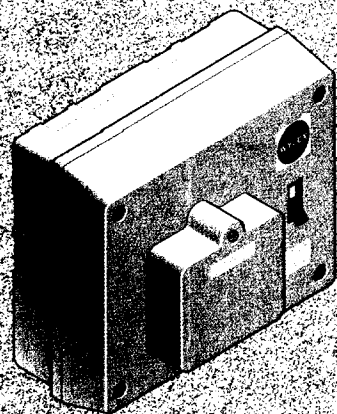


The following Switch Fuses and Consumer Units are supplied without outgoing protective devices. Select from MCBs, cartridge fuse assemblies or rewirable fuse assemblies when ordering (See page 7). Units with incoming switch ratings of 100A have provision for one way rated above 32A.

### SWITCH FUSE - INSULATED

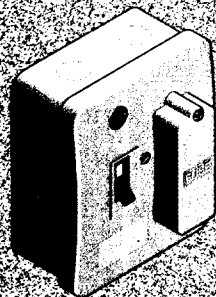
*RS CAT. NO.*

RATING	No. OF WAYS	CAT REF.
45A	1	<i>199-3925</i> 104
60A	1	<i>199-3931</i> 108
45A	1	<i>199-2809</i> 145C*
60A	1	<i>199-3947</i> 160C*



### CONSUMER UNIT WITH D.P. MAIN SWITCH ISOLATOR -INSULATED

RATING	No. OF WAYS	CAT REF.
45A	2	<i>199-3953</i> 204
60A	3	<i>199-3975</i> 304
60A	4	<i>199-2815</i> 404
100A	6	<i>199-3981</i> 604
100A	8	804



### SWITCH FUSE - METAL

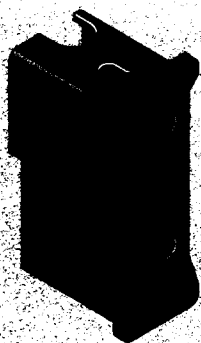
RATING	No. OF WAYS	CAT REF.
45A	1	106
60A	1	108M
45A	1	145CM*
60A	1	160CM*
80A	1	110M/80*
100A	1	110M*

### CONSUMER UNIT WITH D.P. MAIN SWITCH ISOLATOR - METAL

RATING	No. OF WAYS	CAT REF.
45A	2	206
45A	3	306
45A	4	406
100A	6	606
100A	8	806
100A	12	1206

\* These units are supplied fitted with the relevant cartridge fuse.

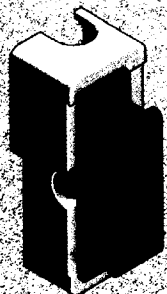
## T H E R A N G E



### REWIRABLE FUSE ASSEMBLIES (Complete with contact shield)

*RS CAT. NO.*

RATING	CONTACT SHIELD COLOUR		CAT REF.
5A	WHITE	199-3997	R5
15A	BLUE	199-2821	R15
20A	YELLOW	199-4007	R20
30A	RED	199-2837	R30

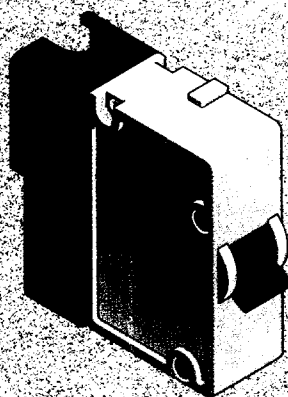


### CARTRIDGE FUSE ASSEMBLIES (Complete with contact shield)

RATING	CONTACT SHIELD COLOUR		CAT REF.
5A	WHITE	199-2843	C5
15A	BLUE	199-2859	C15
20A	YELLOW	199-2865	C20
30A	RED	199-2871	C30
35A	ORANGE	199-4013	C35
40A	ORANGE	199-2887	C40
45A	GREEN	199-2900	C45

### CARTRIDGE FUSE ASSEMBLIES FOR 108 AND 108M

RATING	LABELS		CAT REF.
45A	-	199-2916	L45
60A	-	199-2922	L60



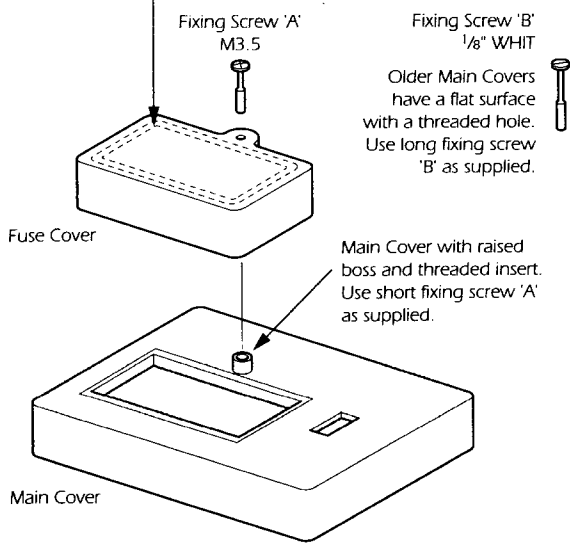
### PLUG-IN MCB ASSEMBLIES (Complete with contact shield)

RATING	CONTACT SHIELD COLOUR		CAT REF.
6A	WHITE	199-4029	B6
10A	GREY	199-2938	B10
16A	BLUE	199-2944	B16
20A	YELLOW	199-2966	B20
32A	RED	199-2972	B32
40A	ORANGE	199-2988	B40

## T H E R A N G E

### Fuse Covers for Insulated Standard Range Wylex Consumer Units

Cut-out for 'B' MCBs should be cut from inside along reduced section or can be supplied factory removed. (See table).



### INSULATED CONSUMER UNITS – PLUG-IN MCB RETROFIT APPLICATION GUIDE

In order to retrofit plug in MCBs the fuse cover of the consumer unit must be modified as shown in the diagram opposite. Alternatively a spare fuse cover may be selected from the list below.

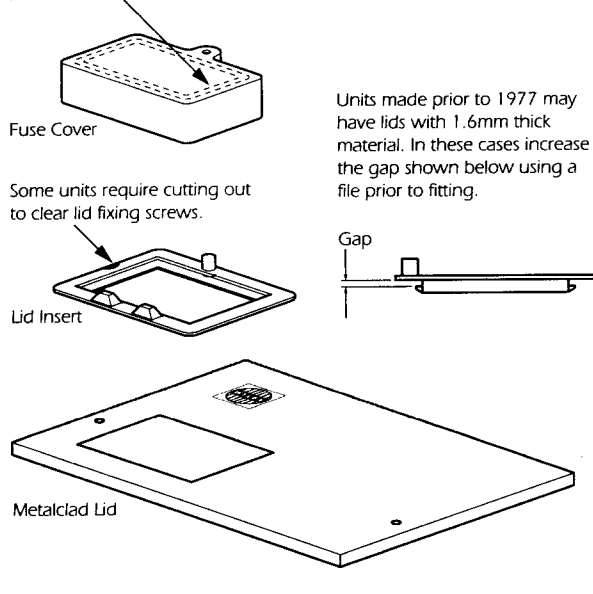
RS  
↓

RS CAT.No.

SPARE Fuse Cover	FUSE COVER with cut-out removed	CAT REF.	Size	Main Unit Type	REF.
<b>A1866</b>	<b>A1866X</b>	1 Way	104 Switch Fuse 45A Max.		199-2994
<b>A1861</b>	<b>A1861X</b>	2 Way	204 Consumer Unit		199-3004
<b>A1862</b>	<b>A1862X</b>	3 Way	304 Consumer Unit		199-3010
<b>A1863</b>	<b>A1863X</b>	4 Way	404 Consumer Unit		199-3032
<b>A1864</b>	<b>A1864X</b>	6 Way	604 Consumer Unit		199-3048
<b>A1865</b>	<b>A1865X</b>	8 Way	804 Consumer Unit		

### Fuse Covers for Metalclad Standard Range Wylex Consumer Units

Cut-out for 'B' MCBs should be cut from inside along reduced section or can be supplied factory removed. (See table).



### METAL CONSUMER UNITS – PLUG-IN MCB RETROFIT APPLICATION GUIDE

In order to retrofit plug in MCBs the fuse cover of the consumer unit must be modified as shown in the diagram opposite. Alternatively a spare fuse cover may be selected from the list below.

SPARE Fuse Cover	FUSE COVER with cut-out removed	CAT REF.	Size	Main Unit Type
<b>A1873</b>	<b>A1873X</b>	1 Way	106 Switch Fuse 45A Max.	
<b>A1868</b>	<b>A1868X</b>	2 Way	206 Consumer Unit	
<b>A1869</b>	<b>A1869X</b>	3 Way	306 Consumer Unit	
Including Lid Insert				
<b>A1870</b>	<b>A1870X</b>	4 Way	406/4106 Consumer Unit	
<b>A1871</b>	<b>A1871X</b>	6 Way	606 Consumer Unit	
<b>A1872</b>	<b>A1872X</b>	8 Way	806 Consumer Unit	
<b>A2238</b>	<b>A2238X</b>	2x6 Way	1206 Consumer Unit	