

TITLE; TO 220 INSULATING KIT. P. # W4605 - 10

**DIM.
MM**

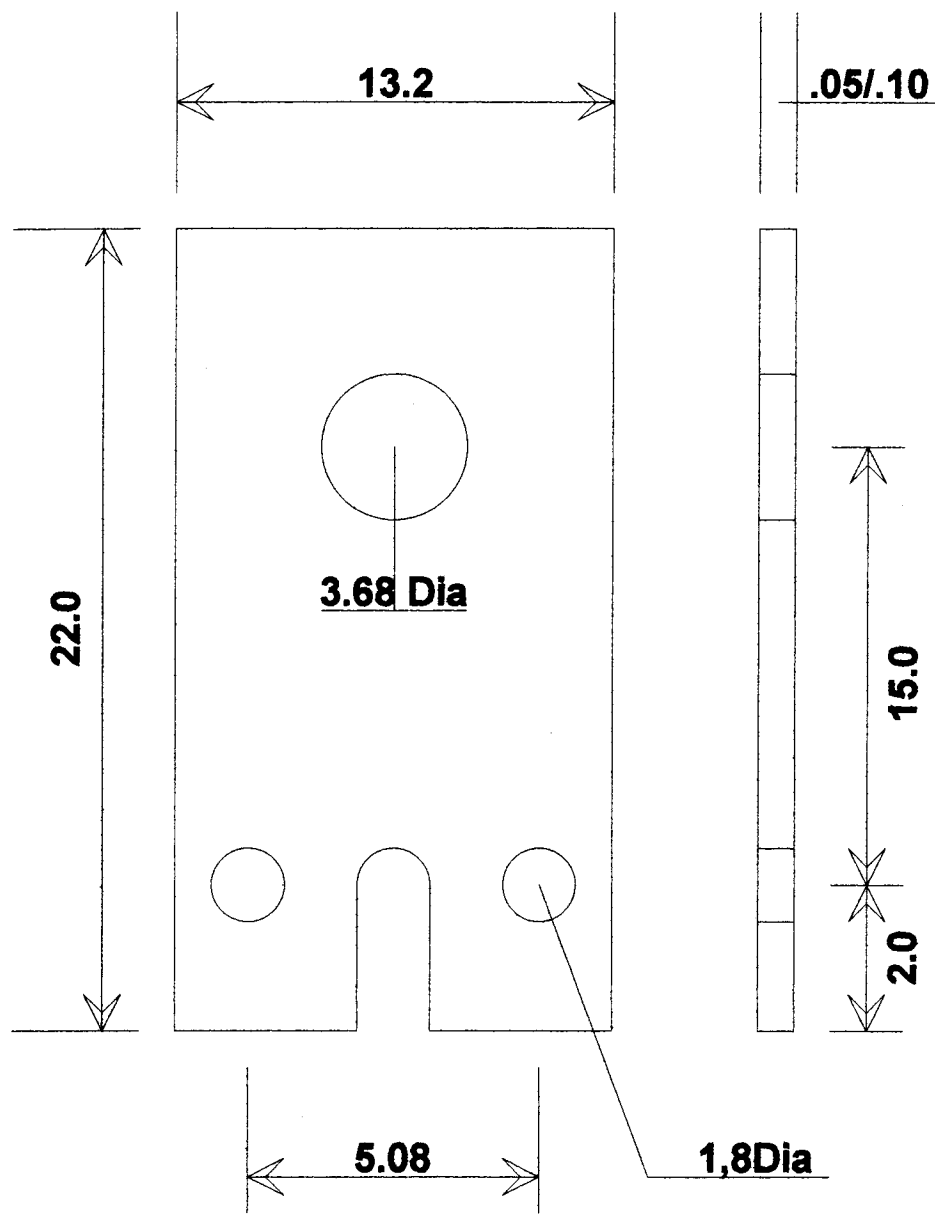
**TOL.
+/- .05**

**SCALE.
NTS**

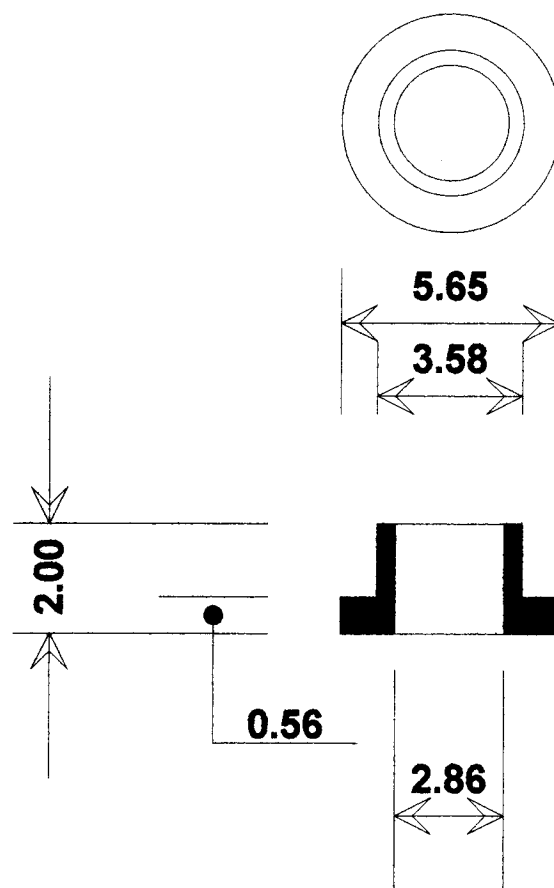
DWN. JGW

DATE. 17/1/89

**ISSUE
ORIGINAL**



MICA INSULATOR - 10 PER KIT



PBT BUSH - 10 PER KIT

WINSLOW ADAPTICS LTD

DWG.#

402-456