

Changeover switch - RS20-US-S0210-0103-014H-001 - 3069710

Please be informed that the data shown in this PDF Document is generated from our Online Catalog. Please find the complete data in the user's documentation. Our General Terms of Use for Downloads are valid (<http://phoenixcontact.com/download>)




Changeover switch, with 0 position, Connection method: Screw connection, Number of positions: 1, Function: 1 - 0 - 2, Switching zones: 1, Switching program number: S0210, Rated continuous current: 20 A, Voltage: 690 V

Why buy this product

- The compact rotary switch is designed for use in energy technology applications with the available switching programs
- The use of high-quality materials results in a long mechanical and electrical service life
- Comprehensive approvals ensure international use
- High level of safety thanks to non-conductive plastic parts
- The terminal points are designed in such a way that shock protection according to BGV A2 is ensured
- The rotary switch is free from cadmium and compliant with the RoHS directive



Key commercial data

Packing unit	1 pc
GTIN	 4 046356 771566
Weight per Piece (excluding packing)	9.99 g
Custom tariff number	85365080
Country of origin	Ireland

Technical data

General

Number of connections	4
Color	silver/black
Rotary switch function	1 - 0 - 2
Switching program number	S0210
Switching angle	60 °
Rated continuous current	20 A
Maximum load current	20 A
Rated surge voltage	6 kV
Rated insulation voltage	690 V

Changeover switch - RS20-US-S0210-0103-014H-001 - 3069710

Technical data

General

Additional text	Valid for networks with grounded neutral point, surge voltage category III, pollution degree 3
Rated operating current according to AC-15 (switching of solenoid drives, contactors, valves, pulling electromagnets)	5 A (220 - 240 V)
	4 A (380 - 440 V)
Rated operating current according to AC-21A (switching of ohmic loads including small overloads)	20 A
Rated operating current according to AC-22A (switching of mixed ohmic and inductive loads, including small overloads)	20 A (220 - 500 V)
	20 A (660 - 690 V)
Switching power according to AC-3 (squirrel-cage motors: direct starting, switching off motors during operation, star-delta startup (CH16B))	3 kW (220 - 240 V; 3-phase, 3-pos.)
	5.5 kW (380 - 440 V; 3-phase, 3-pos.)
	5.5 kW (500 V; 3-phase, 3-pos.)
	5.5 kW (660 - 690 V; 3-phase, 3-pos.)
	0.6 kW (110 - 120 V; 1-phase, 2-pos.)
	2.2 kW (220 - 240 V; 1-phase, 2-pos.)
	3 kW (380 - 440 V; 1-phase, 2-pos.)
Switching power according to AC-4 (squirrel-cage motors: starting, reversing, plugging, inching)	0.55 kW (220 - 240 V; 3-phase, 3-pos.)
	1.5 kW (380 - 440 V; 3-phase, 3-pos.)
	1.5 kW (500 V; 3-phase, 3-pos.)
	1.5 kW (660 - 690 V; 3-phase, 3-pos.)
	0.3 kW (110 - 120 V; 1-phase, 2-pos.)
	0.75 kW (220 - 240 V; 1-phase, 2-pos.)
	1.5 kW (380 - 440 V; 1-phase, 2-pos.)
Switching power according to AC-23A (frequent switching of motors or other highly inductive loads)	3.7 kW (220 - 240 V; 3-phase, 3-pos.)
	7.5 kW (380 - 440 V; 3-phase, 3-pos.)
	7.5 kW (500 V; 3-phase, 3-pos.)
	7.5 kW (660 - 690 V; 3-phase, 3-pos.)
	0.75 kW (110 - 120 V; 1-phase, 2-pos.)
	2.5 kW (220 - 240 V; 1-phase, 2-pos.)
Breaking capacity	150 A (220 - 240 V)
	150 A (380 - 440 V)
	80 A (660 - 690 V)
IP immunity to short-circuiting with maximum backup fuse	25 A
Additional text	gL/gG characteristics
Rated short-time current resistance	140 A
Additional text	1 s current

Dimensions

Changeover switch - RS20-US-S0210-0103-014H-001 - 3069710

Technical data

Dimensions

Width	48 mm
Length	62.5 mm
Height	48 mm
Hole diameter	7 mm
Height	29.00 mm
Installation depth	33.50 mm

Ambient conditions

Ambient temperature (operation)	-35 °C ... 55 °C (Open, at 100% load, with peaks up to 60°C)
	-35 °C ... 35 °C (Encapsulated, at 100% load, with peaks up to 60°C)

Connection data

Conductor cross section solid min.	0.5 mm ²
Conductor cross section solid max.	2.5 mm ²
Conductor cross section AWG/kcmil min.	20
Conductor cross section AWG/kcmil max.	14
Conductor cross section stranded min.	0.75 mm ²
Conductor cross section stranded max.	2.5 mm ²
Min. AWG conductor cross section, stranded	18
Max. AWG conductor cross section, stranded	14
Conductor cross section / stranded with ferrule without plastic sleeve min.	2.5 mm ²
Conductor cross section / stranded with ferrule without plastic sleeve max.	2.5 mm ²
Conductor cross section / stranded with ferrule with plastic sleeve min.	1.5 mm ²
Conductor cross section / stranded, with ferrule with plastic sleeve max.	1.5 mm ²
2 conductors with same cross section, solid min.	0.5 mm ²
2 conductors with same cross section, solid max.	2.5 mm ²
Two conductors with the same cross section, AWG solid min.	20
Two conductors with the same cross section, AWG solid max.	14
2 conductors with same cross section, stranded min.	0.75 mm ²
2 conductors with same cross section, stranded max.	2.5 mm ²
Two conductors with the same cross section, AWG stranded, min.	18
Two conductors with the same cross section, AWG stranded, max.	14
2 conductors with the same cross section/stranded, with ferrule and without plastic sleeve, minimum	2.5 mm ²
2 conductors with the same cross section/stranded, with ferrule and without plastic sleeve, maximum	2.5 mm ²
2 conductors with the same cross section/stranded, with ferrule and plastic sleeve, minimum	1.5 mm ²
2 conductors with the same cross section/stranded, with ferrule and plastic sleeve, maximum	1.5 mm ²

Changeover switch - RS20-US-S0210-0103-014H-001 - 3069710

Classifications

eCl@ss

eCl@ss 4.0	27141111
eCl@ss 4.1	27141111
eCl@ss 5.0	27141133
eCl@ss 5.1	27141133
eCl@ss 6.0	27141133
eCl@ss 7.0	27141133

ETIM

ETIM 3.0	EC001121
ETIM 4.0	EC002498
ETIM 5.0	EC002498

UNSPSC

UNSPSC 6.01	30211811
UNSPSC 7.0901	39121410
UNSPSC 11	39121410
UNSPSC 12.01	39121410
UNSPSC 13.2	39121410

Approvals

Approvals

Approvals

UL Listed / cUL Listed / EAC / cULus Listed

Ex Approvals

Approvals submitted

Approval details

UL Listed	
mm ² /AWG/kcmil	20-12
Nominal current I _N	20 A
Nominal voltage U _N	300 V

Changeover switch - RS20-US-S0210-0103-014H-001 - 3069710

Approvals

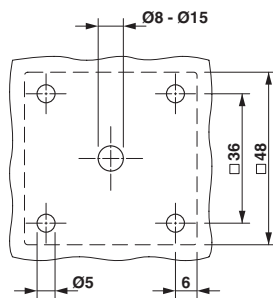
cUL Listed	
mm ² /AWG/kcmil	20-12
Nominal current I _N	20 A
Nominal voltage U _N	300 V

EAC

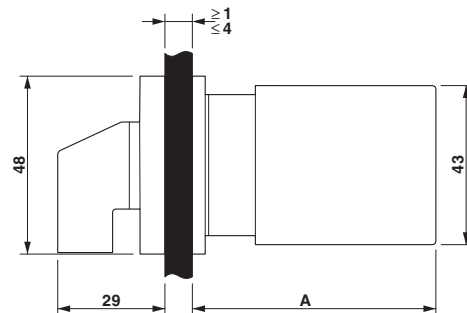
cULus Listed

Drawings

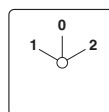
Drilling diagram



Dimensioned drawing



Circuit diagram



S0210

